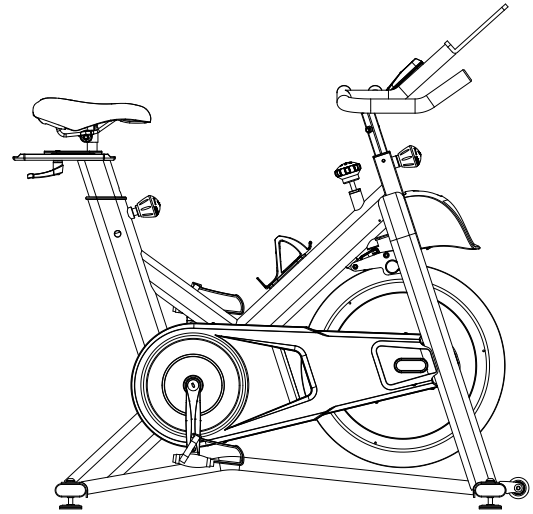




HORIZON
FITNESS



5.0IC INDOOR CYCLE OWNER'S MANUAL

3	ENGLISH
28	FRANÇAIS
54	ESPAÑOL



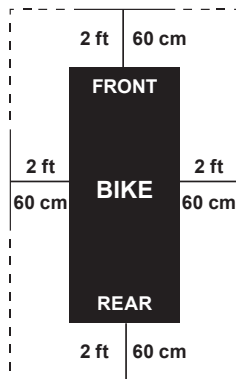
INDOOR CYCLE OPERATION



HOW TO MOVE THE INDOOR CYCLE

Due to the weight of the Indoor Cycle, it is recommended that two people move it. While one person lifts the back of the indoor cycle, the second person firmly holds the handlebar and tips the indoor cycle forward until it rolls on the wheels. Carefully move the Indoor Cycle to the desired location and then lower it.

If the Indoor Cycle rocks on the floor after being set down, turn the leveling feet underneath the front or rear stabilizer until the rocking motion is eliminated.

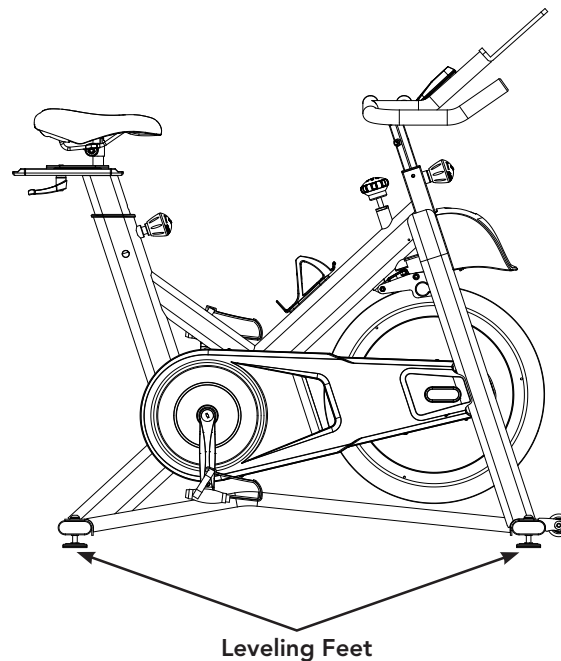


LOCATION OF THE INDOOR CYCLE

Place the Indoor Cycle on a level surface. There should be 2 feet (60 cm) of each side surround the Indoor Cycle. Do not place the cycle in any area that will block any vent or air openings. The Indoor Cycle should not be located in a garage, covered patio, near water or outdoors.

⚠ WARNING

To reduce the risk of injury, use extreme caution while moving the indoor cycle. Do not attempt to move it over uneven surfaces and make sure there's a clear space of 24 inches (minimum) on all sides of the equipment.



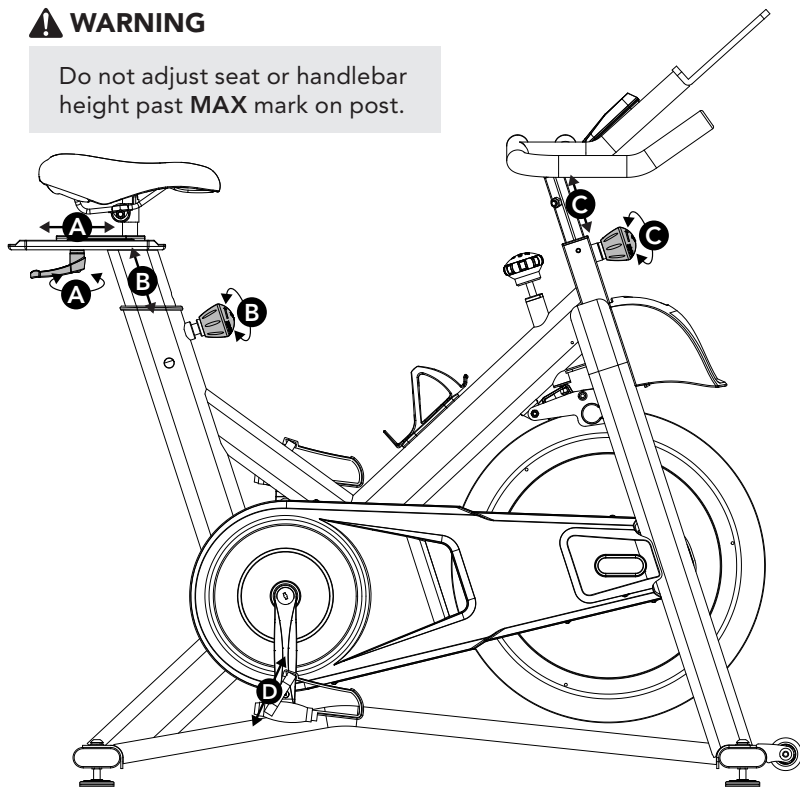


HOW TO ADJUST THE INDOOR CYCLE

The Indoor Cycle can be adjusted for maximum comfort and exercise effectiveness. The instructions below describe one approach to adjusting the Indoor Cycle to ensure optimal user comfort and ideal body positioning; you may choose to adjust the Indoor Cycle differently.

⚠ WARNING

Do not adjust seat or handlebar height past **MAX** mark on post.



SEAT ADJUSTMENT

Proper seat height helps ensure maximum exercise efficiency and comfort, while reducing the risk of injury. Adjust the seat height to make sure it's in proper position, one that keeps a slight bend in your knee while your legs are in the extended position.

HANDLEBAR ADJUSTMENT

Proper position for the handlebar is based primarily on comfort. Typically, the handlebar should be positioned slightly higher than the saddle for beginner cyclists. Advanced cyclists could try different heights to get the arrangement most suitable for you.

A. Seat horizontal position

Rotate the adjustment lever counterclockwise to slide the seat forward or backward as desired. Rotate the lever clockwise to lock seat position. Test the seat slide for proper operation.

B. Seat height

Turn the adjustment knob counterclockwise and adjust the seat to a comfortable pedaling position. Rotate the knob clockwise to lock seat position.

C. Handlebar height

Turn the adjustment knob counterclockwise while raising or lowering the handlebar with the other hand. Turn the adjustment knob clockwise to lock the handlebar position.

D. Pedal Straps

Place the ball of the foot into the toe cage until it's centered over the pedal, reach down and pull the pedal strap up to tighten prior to use. To remove your foot from the toe cage, loosen the strap and pull out.



RESISTANCE CONTROL AND EMERGENCY BRAKE

The preferred level of difficulty in pedaling (resistance) can be regulated in increments by use of the resistance buttons on the console. To increase the resistance, push the up arrow. To decrease the resistance, push the down arrow.

IMPORTANT:

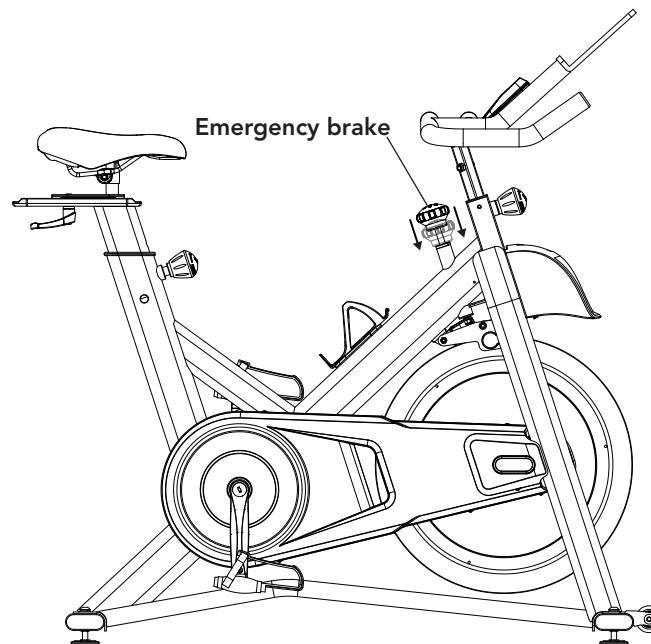
- To stop the flywheel while pedaling, push down hard on the emergency brake until the brake rubs on the flywheel.
- The flywheel should quickly come to a complete stop.
- Make sure your shoes are fixed into the toe cage.
- Apply full resistance load when the bike is not in use to prevent injuries due to moving drive gear components.

⚠ WARNING

The Indoor Cycle does not have a free moving flywheel; the pedals will continue to move together with the flywheel until the flywheel stops. Reducing speed in a controlled manner is required. To stop the flywheel immediately, push down hard the emergency brake. Always pedal in a controlled manner and adjust your desired cadence according to your own abilities. Push the emergency brake down = emergency stop.

⚠ WARNING

The Indoor Cycle uses a fixed flywheel that builds momentum and will keep the pedals turning even after the user stops pedaling or if the user's feet slip off. **DO NOT ATTEMPT TO REMOVE YOUR FEET FROM THE PEDALS OR DISMOUNT THE MACHINE UNTIL BOTH THE PEDALS AND THE FLYWHEEL HAVE COMPLETELY STOPPED.** Failure to follow these instructions may lead to loss of control and the potential for serious injury.





ASSEMBLY

⚠ WARNING

There are several areas during the assembly process that special attention must be paid. It is very important to follow the assembly instructions correctly and to make sure all parts are firmly tightened. If the assembly instructions are not followed correctly, the indoor cycle could have parts that are not tightened and will seem loose and may cause irritating noises. To prevent damage to the indoor cycle, the assembly instructions must be reviewed and corrective actions should be taken.

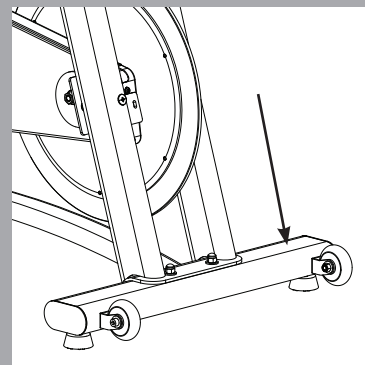
Before proceeding, find your indoor cycle's serial number located on the front stabilizer of the cycle and enter it in the space provided below.

ENTER YOUR SERIAL NUMBER IN THE BOX BELOW:

SERIAL NUMBER:

--	--	--	--	--	--	--	--	--	--	--	--	--	--	--	--	--	--	--	--

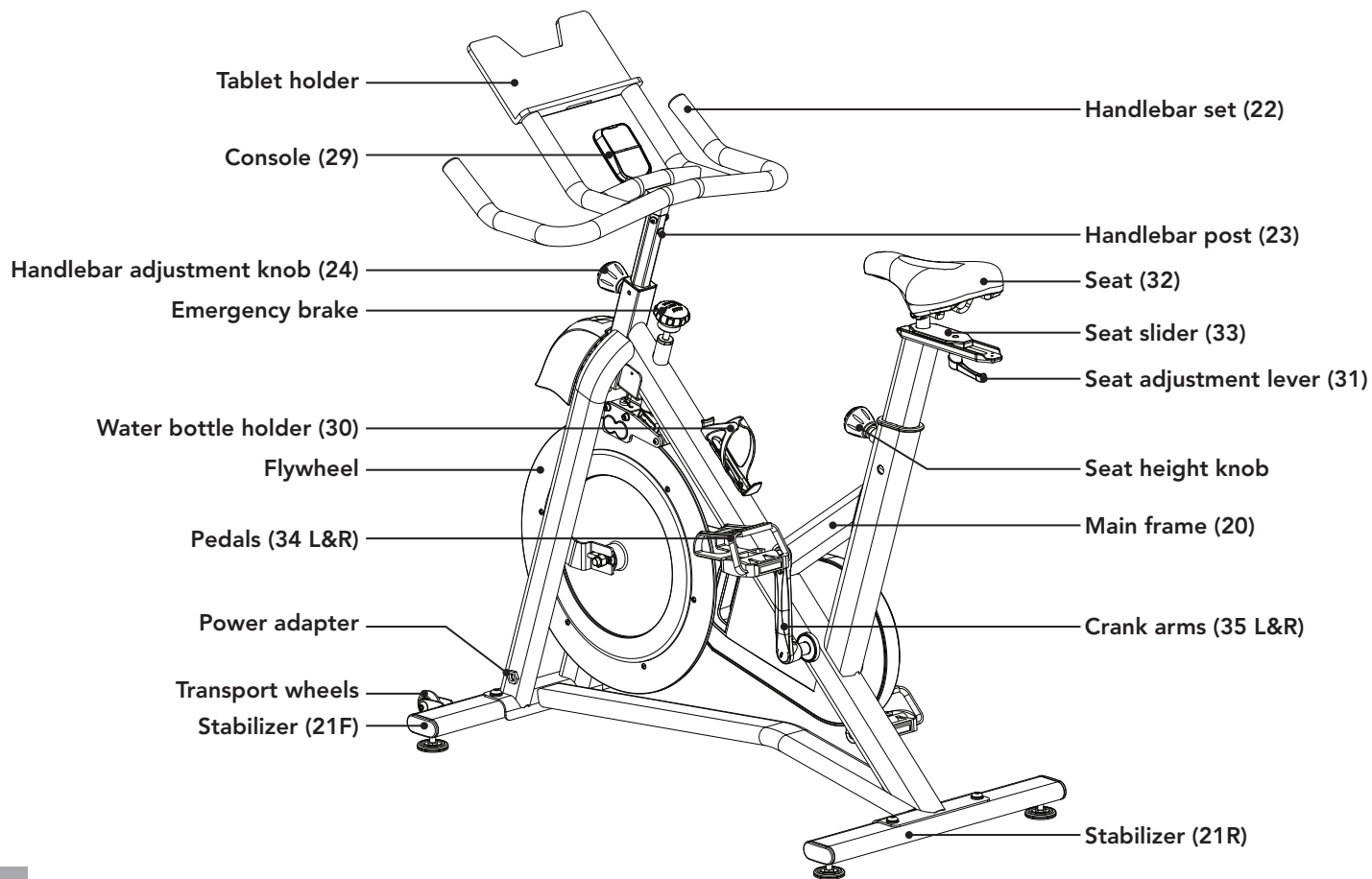
MODEL NAME: **HORIZON** **INDOOR CYCLE**



- » Refer to the SERIAL NUMBER and MODEL NAME when calling for service.
- » Be sure to enter both the SERIAL NUMBER and MODEL NAME on your warranty card.



MODEL INFORMATION





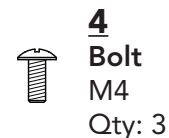
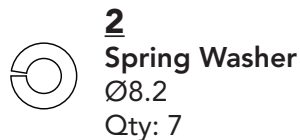
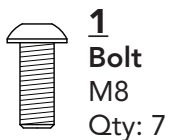
MAIN PARTS INCLUDED:

- Main Frame (20)
- Front Stabilizer (21F)
- Rear Stabilizer (21R)
- Handlebar Set (22)
- Handlebar Post (23)
- Console (29)
- Pedal Set (34 L&R)
- Seat Post Set (31, 32 & 33)

PARTS PACKING INCLUDED:

- 1 Hardware Kit
- 1 Owner's Manual

HARDWARE KIT:



PRE ASSEMBLY

UNPACKING

Due to the weight of the indoor cycle, **it is recommended that two people perform the assembly.** Unpack the product where you will be using it. It is recommended that you place a protective covering on your floor. Place the carton on a level flat surface and remove all packing materials; do not dispose of the packing materials until assembly is completed.

NOTE: During each assembly step, ensure that ALL nuts and bolts are in place and partially threaded in before completely tightening any ONE bolt.

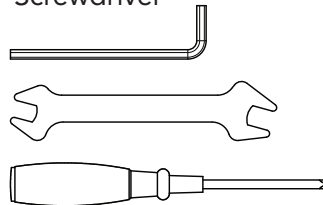
NOTE: A light application of grease may aid in the installation of hardware. Any grease, such as lithium bike grease is recommended.

NEED HELP?

If you have questions or if there are any missing parts, contact Customer Tech Support. Contact information is located on the back panel of this manual.

Tool Kit

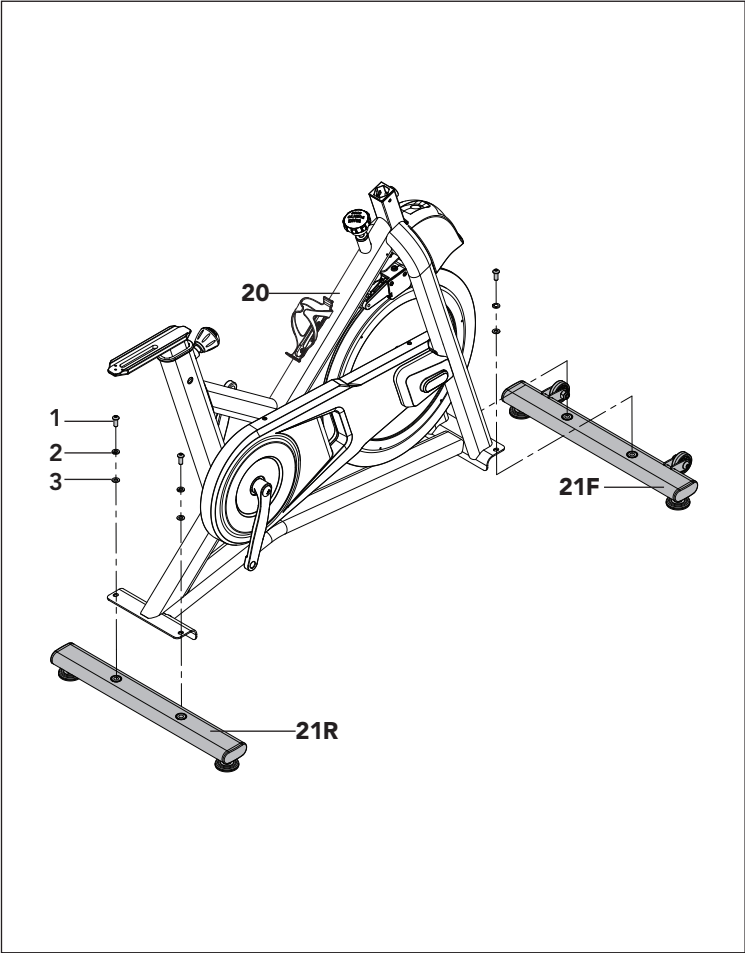
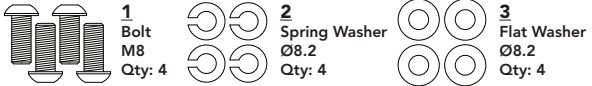
5mm Wrench
13/15mm Wrench
Screwdriver





ASSEMBLY STEP 1

STEP 1 HARDWARE :

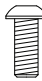




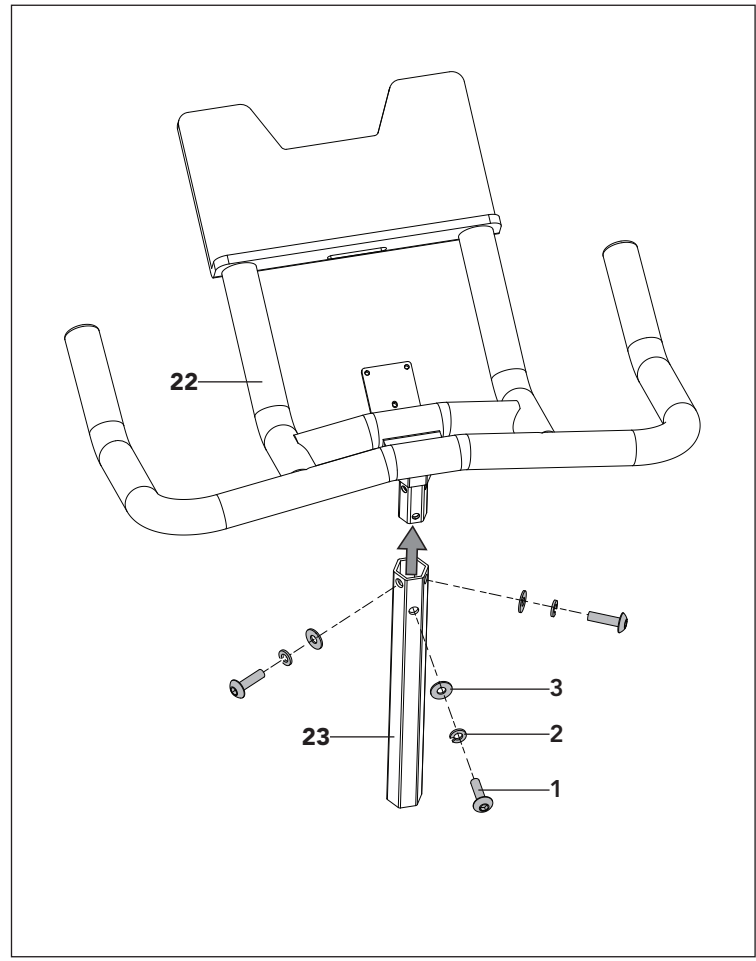
- 1.1 Open hardware for **Step 1**.
- 1.2 Attach the **Front Stabilizer (21F)** and **Rear Stabilizer (21R)** to the **Main Frame (20)** using **4 Bolts (1)**, **4 Spring Washers (2)** and **4 Flat Washers (3)**, and tighten firmly.



ASSEMBLY STEP 2

STEP 2 HARDWARE :

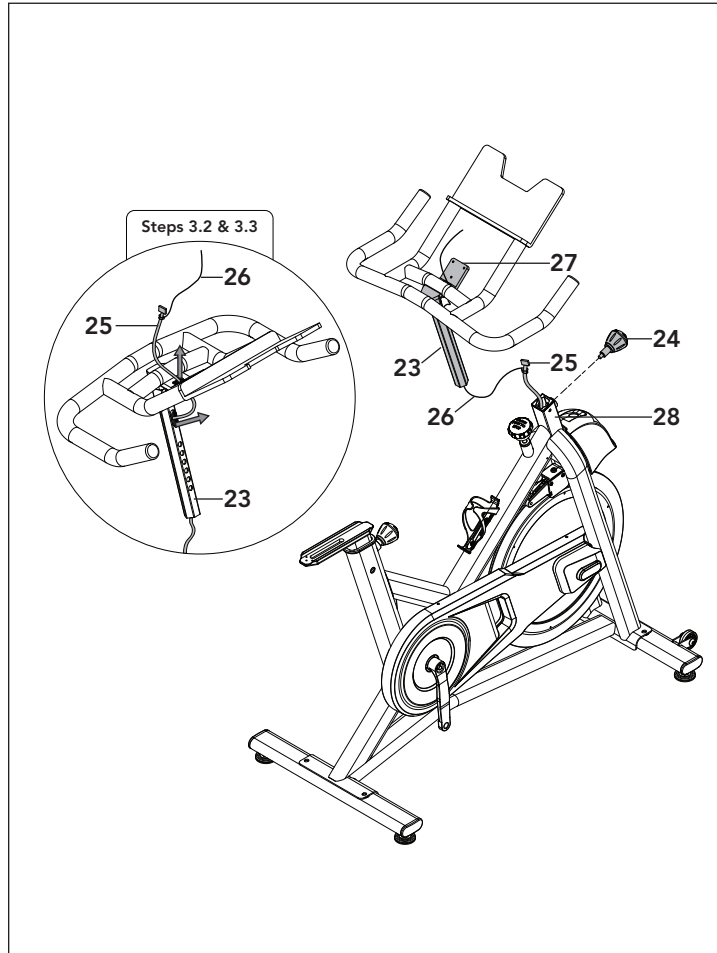
- | | | | |
|--|----------------------------------|--|--|
|  | 1
Bolt
M8
Qty: 3 | 
2
Spring Washer
Ø8.2
Qty: 3 | 
3
Flat Washer
Ø8.2
Qty: 3 |
|--|----------------------------------|--|--|



- 2.1 Open hardware for **Step 2**.
- 2.2 Insert **Handlebars (22)** into **Handlebar Post (23)** and secure the front with **1 Bolt (1)**, **1 Spring Washer (2)** and **1 Flat Washer (3)**. Do not fully tighten hardware until end of **Step 2**.
- 2.3 Secure the sides with **2 Bolts (1)**, **2 Spring Washers (2)**, **2 Flat Washers (3)**.
- 2.4 Fully tighten bolts from **Steps 2.2 & 2.3**.



ASSEMBLY STEP 3



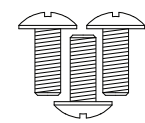
- 3.1 Wrap **Lead Wire (26)** to **Console Cable (25)** and pull **Console Cable (25)** from **Head Tube (28)** through **Handlebar Post (23)** and out hole in front of **Handlebar Post (23)**.
- 3.2 Pull **Console Cable (25)** through hole in **Console Bracket (27)**.
- 3.3 Insert **Handlebar Post (23)** into **Head Tube (28)** and tighten with **Adjustment Knob (24)** to secure.
- 3.4 Detach and discard **Lead Wire (26)**.

NOTE: Be careful not to pinch any wires while assembling handlebars.

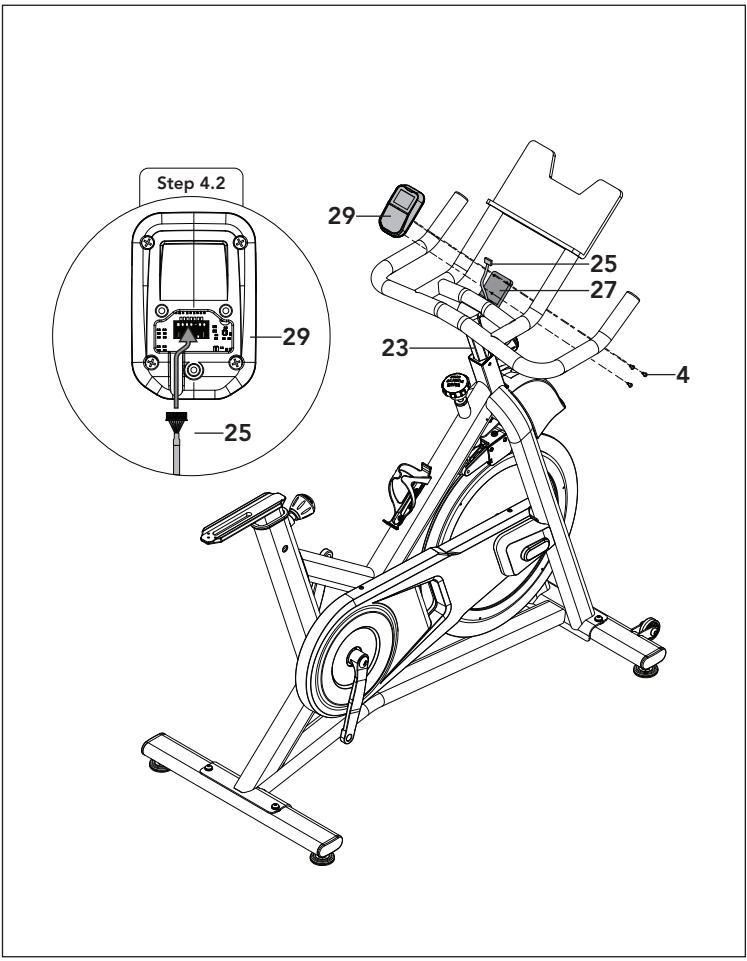


ASSEMBLY STEP 4

STEP 4 HARDWARE :

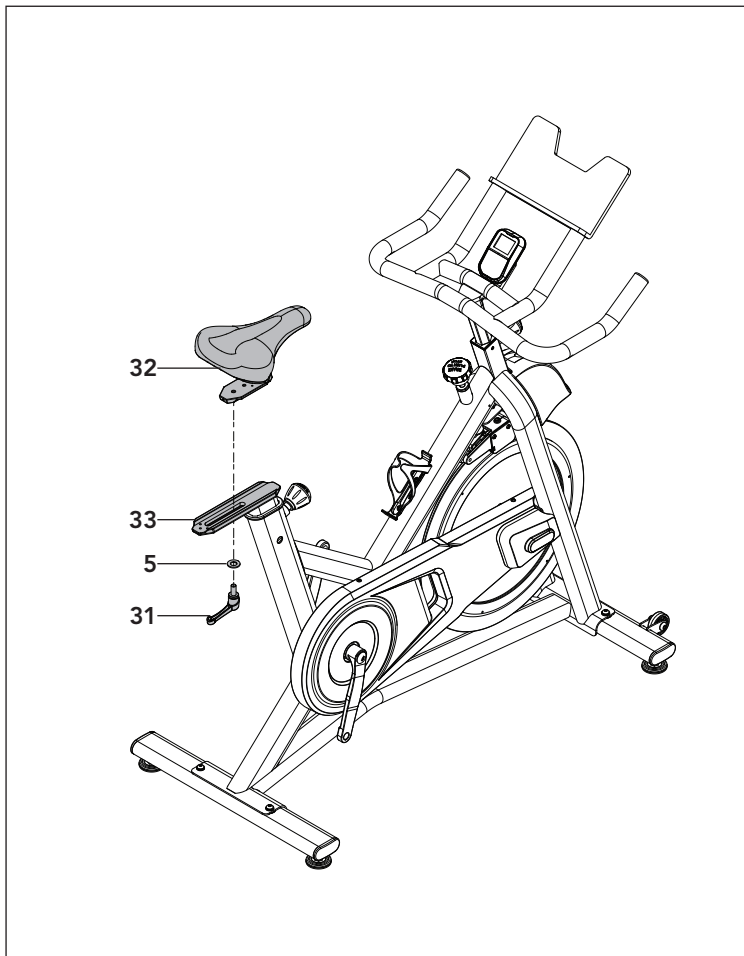


4
Bolt
M4
Qty: 3



- 4.1 Open hardware for **Step 4**.
- 4.2 Attach **Console Cable (25)** to **Console (29)**.
- 4.3 Carefully tuck **Console Cable (25)** into **Handlebar Post (23)**.
- 4.4 Route **Console Cable (25)** through channel on back of **Console (29)** to avoid pinching cable. Attach **Console (29)** to **Console Bracket (27)** using **3 Bolts (4)**.

NOTE: Be careful not to pinch any wires while assembling console.



ASSEMBLY STEP 5

STEP 5 HARDWARE :

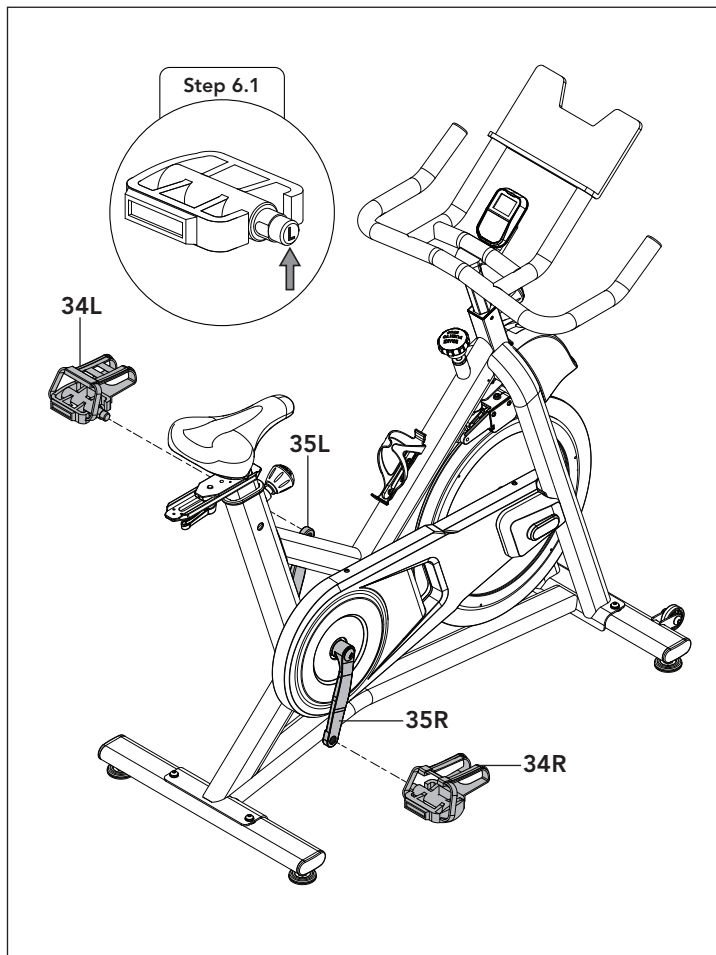


5
Flat Washer
Ø10
Qty: 1

- 5.1 Open hardware for **Step 5**.
- 5.2 Place **Seat (32)** onto **Seat Slider (33)**.
- 5.3 Secure **Seat (32)** with **1 Flat Washer (5)** and **Adjustment Lever (31)**.



ASSEMBLY STEP 6



- 6.1 Identify **Left Pedal (34L)** which is labeled **L** on spindle and **Right Pedal (34R)** labeled **R**.
- 6.2 Insert **Left Pedal (34L)** into **Left Crank Arm (35L)**, ensure screw threads are aligned, and tighten **Counter-Clockwise**.
- 6.3 Insert **Right Pedal (34R)** into **Right Crank Arm (35R)**, ensure screw threads are aligned, and tighten **Clockwise**.
- 6.4 Use **Wrench** to fully tighten pedals. No screw threads should be visible and pedal axle should be fully seated.

NOTE:

Make sure pedals are **FULLY TIGHTENED** before use.

CONGRATULATIONS!

You have successfully assembled your indoor cycle.

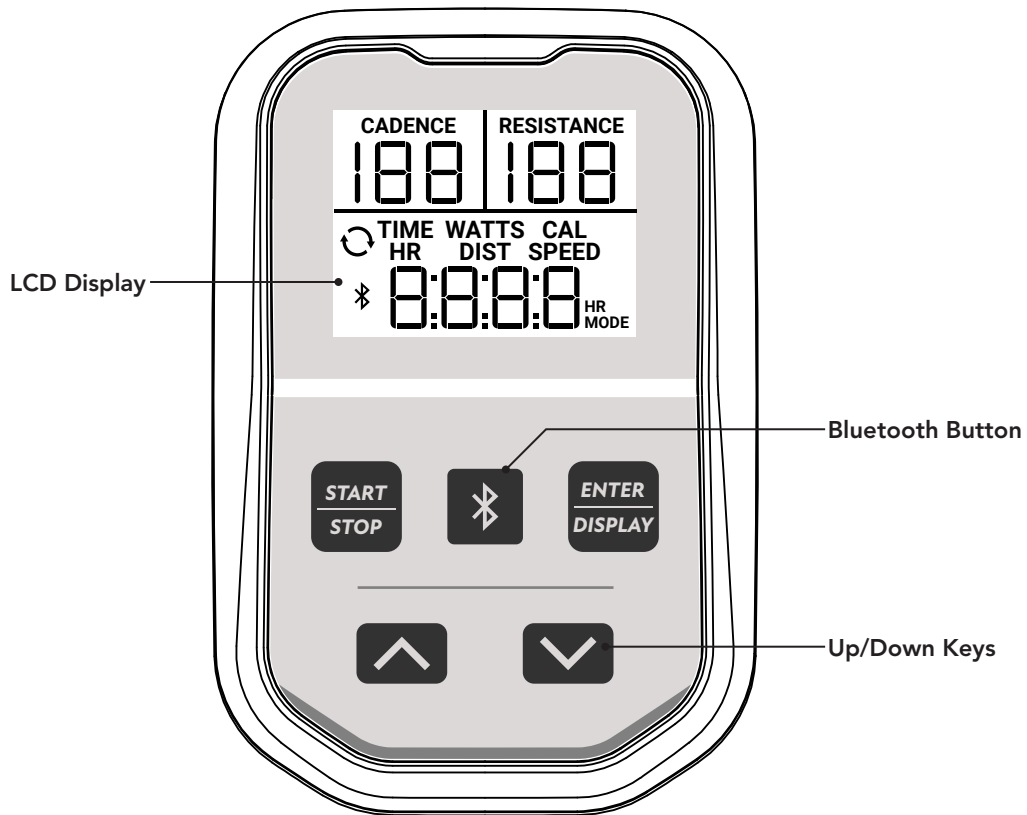




CONSOLE OPERATION



5.0IC CONSOLE






5.0IC CONSOLE DISPLAY

LCD Display:

In the exercise mode, the upper LCD window will always display Cadence and Resistance.

The lower portion of the display can show: Time, Watts, Calories (Cal), Heart Rate (HR), Distance (Dist) and Speed. There is also a default cycle function  which will display each of the data types for 5 seconds before cycling to the next.

To lock the lower portion to one specific data display, press the Enter/Display button until the label for the data you desire is shown. To return to cycling data, press the Enter/Display button until the two arrows are shown.

Up & Down Keys:

Press the Up and Down keys to increase and decrease the settings: Resistance or Time.

In the exercise mode, the Up and Down arrows will adjust the resistance by 1. If you hold down the arrow keys for more than 1/2 of a second, the resistance range will go up/down by 5 until released.

5.0IC CONSOLE OPERATION

Manual Setting:

Press Start/Stop button to start a quick manual workout. In this mode, the resistance will start at 0 and the timer will count up from 0 seconds.

Customize Your Workout:

Press Enter/Display button until Time flashes. Use the Up/Down keys to adjust your desired workout time and then press the Enter/Display button to confirm your desired time. Once confirmed, the starting resistance range will begin flashing. Adjust the desired starting resistance with the Up/Down keys and confirm with the Enter/Display button. Press Start to begin the workout with your desired time and resistance.

Once your custom program has been started, the timer will count down from your desired time and the resistance will begin at the resistance you selected. You may still adjust the resistance to different values during the workout.

Energy Saver:


To minimize energy consumption, your machine will enter energy saver mode (ERP) automatically when not in use and the console will be woken up quickly with a touch of a button.



HOW TO SWITCH BETWEEN APP MODE & BT HEART RATE MODE

Home- P1

Connecting to an App (default mode)

If using a 3rd party App, please turn on your device's Bluetooth (BT) and follow the App pairing instructions. Ensure the bike console is not connected to any other BT devices by checking that the BT symbol  is not lit on the console.

If you wish to use the BT HR Strap with a 3rd party App that is capable, then connect to the HR strap from within the App interface (please follow the App instructions to find and connect to the HR Strap).


Follow the 3rd party App instructions to start the program. Some require you to start from inside the App, others require you to press the console **Start** button first.

To stop the workout, End Ride in the App and press **Stop** button on console for 3 seconds.

Connecting to HR Strap (off by default)

In order to access to **HR Strap mode**, make sure the console is not currently connected to any Bluetooth (BT) devices by checking that no BT Symbol  is displayed on the console.

Wear the HR strap, make sure to read the strap instruction. Note: Some chest contact HR straps need to be moist to read the HR precisely.

Press and hold the Bluetooth button for a few seconds until HR MODE symbol displays on the right LCD corner. Once the console detects the BT HR strap, the BT symbol  will display on the LED screen.

Hit **Start** to begin a workout and console should show the heart rate.

To exit HR Strap mode, disconnect the BT HR device and ensure the BT symbol disappears from the display. Then press and hold Bluetooth button for a few seconds until "HR MODE" disappears on LED screen. NOTE: it should take a few seconds for the Bluetooth to disconnect from the console.

HORIZON CONNECTED FITNESS SYSTEM

Your Horizon machine is Bluetooth ready, allowing you to use Bluetooth 4.0 technology to wirelessly connect your device and other apps to your Horizon treadmill. For a complete list of 3rd party fitness apps compatible with your Horizon treadmill follow the link below:

<http://horizonfit.co/5.0ic>





TROUBLESHOOTING & MAINTENANCE



COMMON PRODUCT QUESTIONS

ARE THE SOUNDS MY Indoor Cycle MAKES NORMAL?

Our Indoor Cycles are some of the quietest available because they use belt drives and magnetic brake resistance. We use the highest grade bearings and chains/belts to minimize noise. However, because the resistance system itself is so quiet, you will occasionally hear other slight mechanical noises. Unlike older, louder technologies, there are no fans, friction belts, or alternator noises to mask these sounds on our Indoor Cycles. These mechanical noises, which may or may not be intermittent, are normal and are caused by the transfer of significant amounts of energy to a rapidly spinning flywheel. All bearings, chains/belts and other rotating parts will generate some noise which will transmit through the casing and frame. It is also normal for these sounds to change slightly during a workout and over time because of thermal expansion of the parts.

WHY IS THE Indoor Cycle I HAD DELIVERED LOUDER THAN THE ONE AT THE STORE?

All fitness products seem quieter in a large store showroom because there is generally more background noise than in your home. Also, there will be less reverberation on a carpeted concrete floor than on a wood overlay floor. Sometimes a heavy rubber mat will help reduce reverberation through the floor. If a fitness product is placed close to a wall, there will be more reflected noise.

HOW LONG WILL THE BELT LAST?

The computer modeling we have done indicated virtually thousands of maintenance free hours. You should not have to replace the belt as long as you have the Indoor Cycle.

CAN I MOVE THE Indoor Cycle EASILY ONCE IT IS ASSEMBLED?

Your Indoor Cycle has a pair of transport wheels built into the front stabilizer tube. Please follow the moving the Indoor Cycle section to transport your Indoor Cycle. It is important that you place your Indoor Cycle in a comfortable and inviting room. Your Indoor Cycle is designed to use minimal floor space. Many people will place their Indoor Cycles facing the TV or a window. If at all possible, avoid putting your Indoor Cycle in an unfinished basement. To make exercise a desirable daily activity for you, the Indoor Cycle should be in a comfortable setting.



TROUBLE SHOOTING

PROBLEM: The Indoor Cycle makes a squeaking or chirping noise.

SOLUTION: Verify the following:

- The Indoor Cycle is on a level surface.
- Loosen all bolts attached during the assembly process, grease the threads, and tighten again.

If this does not remedy the problem, you may
CONTACT CUSTOMER TECH SUPPORT AT THE NUMBER ON THE BACK PANEL.

The following information may be asked of you when you call. Please have these items readily available:

- Model Name
- Serial Number
- Proof of Purchase (receipt or credit card statement)

You may find more troubleshooting suggestions on the customer support section of our website. Contact customer support using the contact information on the **BACK PANEL**.

In order for Customer Tech Support to service your Indoor Cycle they may need to ask detailed questions about the symptoms that are occurring. Some troubleshooting questions that may be asked are:

- How long has this problem been occurring?
- Does this problem occur with every use? With every user?
- If you are hearing a noise, does it come from the front or the back? What kind of noise is it (thumping, grinding, squeaking, chirping etc.)?
- Has the machine been lubricated and maintained per the maintenance schedule?

Answering these and other questions will give the technicians the ability to send proper replacement parts and the service necessary to get you and your Indoor Cycle running again!



MAINTENANCE

What kind of routine maintenance is required?

Minimal maintenance and cleaning is required. We use sealed bearings throughout our bikes so lubrication is not needed. The most important maintenance step is to simply wipe your perspiration off the bike after each use.

How do I clean my bike?

Clean with mild soap and water cleaners only. Never use solvents on plastic parts. Cleanliness of your bike and its operating environment will keep maintenance problems and service calls to a minimum. For this reason, we recommend that the following preventive maintenance schedule be followed.

MAINTENANCE SCHEDULE

AFTER EACH USE

Clean the indoor cycle using soft cloths or paper towels or other gentle solution (cleaning agents should be alcohol and ammonia free). Disinfect the saddle and handlebars and wipe off all bodily residues.

BEFORE EACH USE

Make sure that the indoor cycle is level and does not rock. Ensure that the pedals are tight in crank arms and not cross-threaded, all screws on pedals are tight, and pedal straps are not frayed.

BI-WEEKLY

Test the emergency brake to make sure it is functioning properly. To do this, press down the red emergency brake lever while pedaling. When functioning properly, it should immediately slow down the flywheel until it comes to a complete stop.

MONTHLY

Inspect all assembly bolts and pedals on the machine for proper tightness.

Adhering to this schedule will extend the life of your machine.



LIMITED HOME-USE WARRANTY



WEIGHT CAPACITY = 300 lbs (136 kilograms)

FRAME • LIFETIME

Manufacturer warrants the frame against defects in workmanship and materials for the period specified above from the date of purchase, so long as the device remains in the possession of the original owner. (The frame is defined as the welded metal base of the unit and does not include any parts that can be removed.)

ELECTRONICS & PARTS • 1 YEAR

Manufacturer warrants the electronic components, finish and all original parts for a period of one year from the date of original purchase, so long as the device remains in the possession of the original owner.

LABOR • 1 YEAR

Manufacturer shall cover the labor cost for the repair of the device for a period of one year from the date of the original purchase, so long as the device remains in the possession of the original owner.

EXCLUSIONS AND LIMITATIONS

Who IS covered:

- The original owner and is not transferable.

What IS covered:

- Repair or replacement of a defective motor, electronic component, or defective part and is the sole remedy of the warranty.

What IS NOT covered:

- Normal wear and tear, improper assembly or maintenance, or installation of parts or accessories not originally intended or compatible with the equipment as sold.
- Damage or failure due to accident, abuse, corrosion, discoloration of paint or plastic, neglect, theft, vandalism, fire, flood, wind, lightning, freezing, or other natural disasters of any kind, power reduction, fluctuation or failure from whatever cause, unusual atmospheric conditions, collision, introduction of foreign objects into the covered unit, or modifications that are unauthorized or not recommended by the Manufacturer.
- Incidental or consequential damages. The Manufacturer is not responsible or liable for indirect, special or consequential damages, economic loss, loss of property, or profits, loss of enjoyment or use, or other consequential damages of whatsoever nature in connection with the purchase, use, repair or maintenance of the equipment. The Manufacturer



does not provide monetary or other compensation for any such repairs or replacement parts costs, including but not limited to gym membership fees, work time lost, diagnostic visits, maintenance visits or transportation.

- Equipment used for commercial purposes or any use other than a single family or Household, unless endorsed by the Manufacturer for coverage.
- Equipment owned or operated outside the US and Canada.
- Delivery, assembly, installation, setup for original or replacement units or labor or other costs associated with removal or replacement of the covered unit.
- Any attempt to repair this equipment creates a risk of injury. The Manufacturer is not responsible or liable for any damage, loss or liability arising from any personal injury incurred during the course of, or as a result of any repair or attempted repair of your fitness equipment by other than an authorized service technician. All repairs attempted by you on your fitness equipment are undertaken AT YOUR OWN RISK and the Manufacturer shall have no liability for any injury to the person or property arising from such repairs.
- If you are out of the Manufacturer's warranty but have an extended warranty, refer to your extended warranty contract for contact information regarding requests for extended warranty service or repair.

SERVICE/RETURNS

- In-home service is available within 150 miles of the nearest authorized Service Provider (Mileage beyond 150 miles from an authorized service center is the responsibility of the consumer).
- All returns must be pre-authorized by the Manufacturer.
- Manufacturer's obligation under this warranty is limited to replacing or repairing, at the Manufacturer's option, the same or comparable model.
- Manufacturer may request defective components be returned to the Manufacturer upon completion of warranty service using a prepaid return shipping label. If you have been advised to return parts and did not receive a label, please contact Customer Tech Support.
- Replacement units, parts and electronic components reconditioned to as-new condition by the Manufacturer or its vendors may sometimes be supplied as warranty replacement and constitute fulfillment of warranty terms.
- This warranty gives you specific legal rights, and your rights may vary from state to state.



FRANÇAIS



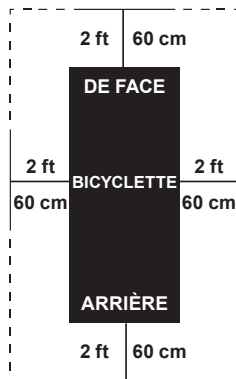
FONCTIONNEMENT DU CARDIOVÉLO



COMMENT DÉPLACER LE CARDIOVÉLO

Compte tenu du poids du cardiovélo, il est recommandé de le déplacer avec l'aide d'une autre personne. Pendant qu'une personne soulève l'arrière du cardiovélo d'intérieur, la seconde personne tient fermement le guidon et fait basculer le cardiovélo vers l'avant jusqu'à ce qu'il roule sur ses roues. Déplacez délicatement le cardiovélo jusqu'à l'emplacement souhaité, puis abaissez-le.

Si le cardiovélo est bancal après avoir été posé sur le sol, tournez les pieds de réglage sous le stabilisateur avant ou arrière jusqu'à ce que le mouvement de balancement soit éliminé.

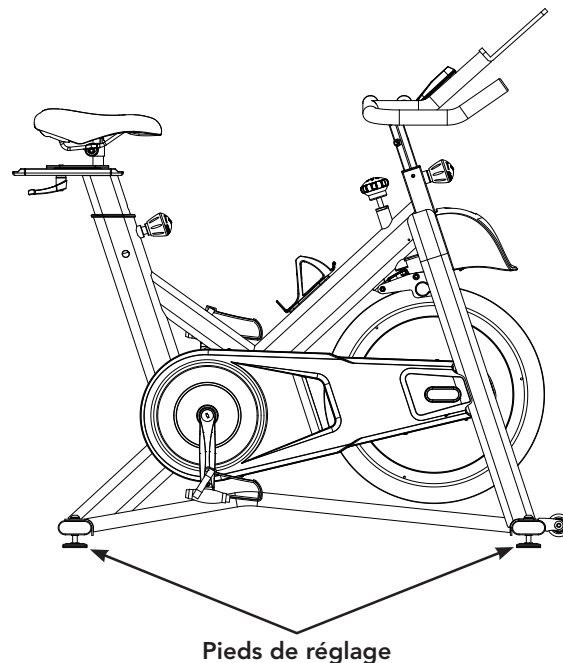


EMPLACEMENT DU CARDIOVÉLO

Placez le cardiovélo sur une surface plane. Il doit y avoir un dégagement d'au moins 60 cm (2 pi) tout autour du cardiovélo. Ne placez pas le vélo dans une zone qui bloquerait des prises de ventilation ou d'aération. Le cardiovélo ne doit pas être placé dans un garage, un patio couvert, près de l'eau ou à l'extérieur.

⚠ AVERTISSEMENT

Pour réduire le risque de blessure, soyez extrêmement prudent(e) lorsque vous déplacez le cardiovélo. N'essayez pas de le déplacer sur des surfaces inégales et assurez-vous qu'il y a un espace libre de 61 cm (24 po) (minimum) de tous les côtés de l'équipement.



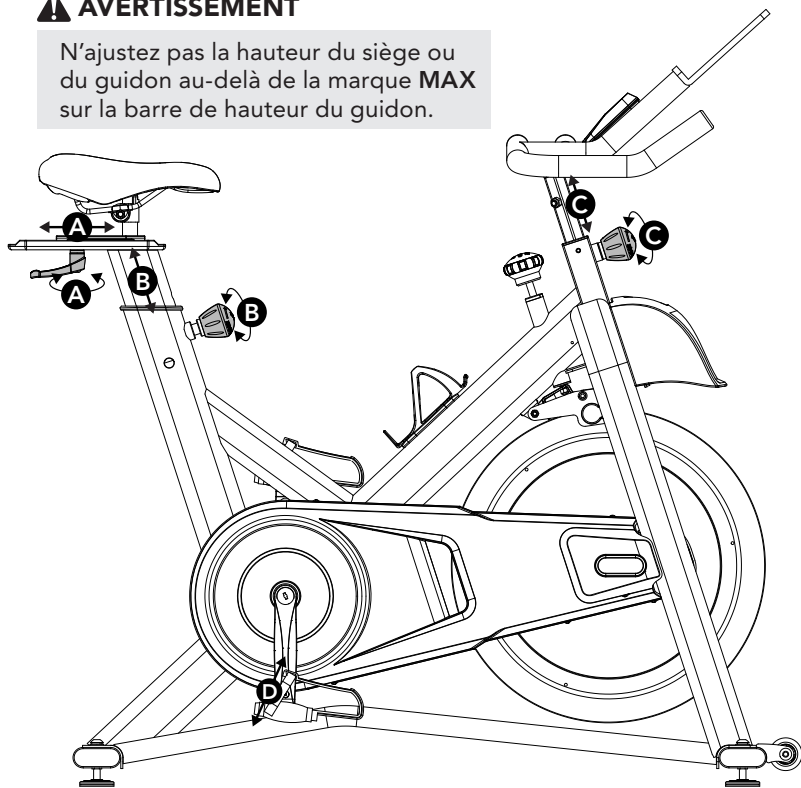


COMMENT RÉGLER LE CARDIOVÉLO

Le cardiovélo peut être réglé pour un confort et une efficacité maximum. Les instructions ci-dessous décrivent une approche du réglage du cardiovélo pour assurer un confort optimal de l'utilisateur et une position idéale du corps. Vous pouvez choisir de régler le cardiovélo différemment.

⚠ AVERTISSEMENT

N'ajustez pas la hauteur du siège ou du guidon au-delà de la marque **MAX** sur la barre de hauteur du guidon.



AJUSTEMENT DU SIÈGE

Une hauteur de siège correcte permet d'assurer une efficacité et un confort maximum pour l'exercice, tout en réduisant le risque de blessure. Réglez la hauteur du siège pour vous assurer qu'il est dans la bonne position, celle qui permet de conserver une légère flexion du genou lorsque vos jambes sont en position allongée.

RÉGLAGE DU GUIDON

La position correcte du guidon est basée principalement sur le confort. En général, le guidon doit être positionné légèrement plus haut que la selle pour les cyclistes débutants. Les cyclistes avancés pourraient essayer différentes hauteurs pour obtenir la disposition qui leur convient le mieux.

A. Position horizontale de la selle

Tournez le levier de réglage dans le sens antihoraire pour faire glisser le siège vers l'avant ou l'arrière, selon votre choix. Tournez le levier dans le sens horaire pour verrouiller la position du siège. Vérifiez le bon fonctionnement de la glissière du siège.

B. Hauteur du siège

Tournez le bouton de réglage dans le sens antihoraire, puis ajustez le siège pour obtenir une position de pédalage confortable. Tournez la molette dans le sens horaire pour verrouiller la position du siège.

C. Hauteur du guidon

Tournez la molette de réglage dans le sens antihoraire tout en relevant ou abaissant le guidon avec l'autre main. Tournez la molette de réglage dans le sens horaire pour verrouiller la position du guidon.

D. Sangles de pédale

Placez la pointe du pied dans la cage d'orteil jusqu'à ce qu'elle soit centrée sur la pédale, puis tirez la sangle de la pédale vers le haut pour la serrer avant l'utilisation. Pour retirer votre pied de la cage d'orteil, desserrez la sangle et retirez votre pied.



CONTRÔLE DE LA RÉSISTANCE ET FREIN D'URGENCE

Le niveau de difficulté du pédalage (résistance) peut être réglé par paliers à l'aide des boutons de résistance de la console. Pour augmenter la résistance, appuyez sur la flèche vers le haut. Pour diminuer la résistance, appuyez sur la flèche vers le bas.

IMPORTANT:

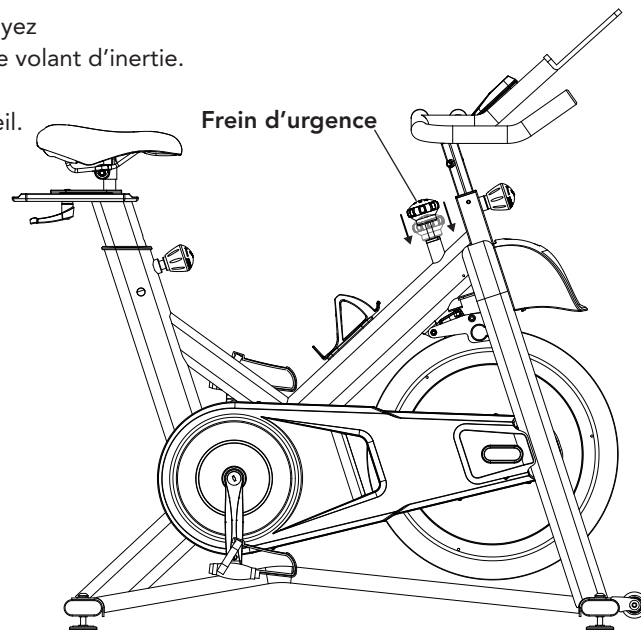
- Pour arrêter le volant d'inertie pendant que vous pédalez, appuyez fortement sur le frein d'urgence jusqu'à ce que le frein frotte sur le volant d'inertie.
- Le volant d'inertie doit rapidement s'arrêter complètement.
- Assurez-vous que vos chaussures sont fixées dans la cage d'orteil.
- Appliquez une charge de résistance totale lorsque le vélo n'est pas utilisé afin d'éviter les blessures dues aux composants mobiles de l'engrenage d'entraînement.

⚠ AVERTISSEMENT

Le cardiovélo n'a pas de volant d'inertie libre. Les pédales continuent à se déplacer avec le volant d'inertie jusqu'à ce que celui-ci s'arrête. Il est nécessaire de réduire la vitesse de manière contrôlée. Pour arrêter immédiatement le volant d'inertie, appuyez fortement sur le frein d'urgence. Pédalez toujours de manière contrôlée et ajustez la cadence souhaitée en fonction de vos capacités. Le fait de pousser le frein d'urgence vers le bas entraîne un arrêt d'urgence.

⚠ AVERTISSEMENT

Le cardiovélo utilise un volant d'inertie fixe qui crée un élan et permet aux pédales de continuer à tourner même si l'utilisateur arrête de pédaler ou si ses pieds glissent. **N'ESSAYEZ PAS DE RETIRER VOS PIEDS DES PÉDALES OU DE DÉMONTÉ L'APPAREIL AVANT QUE LES PÉDALES ET LE VOLANT D'INERTIE NE SE SOIENT COMPLÈTEMENT ARRÊTÉS.** Le non-respect de ces instructions peut entraîner une perte de contrôle et un risque de blessure grave.





ASSEMBLAGE

AVERTISSEMENT

Au cours de l'assemblage, une attention particulière doit être accordée à plusieurs moments. Il est essentiel de suivre les instructions d'assemblage correctement et de s'assurer que toutes les pièces sont fermement serrées. Si les instructions d'assemblage ne sont pas suivies correctement, le cardiovélo peut avoir des pièces qui ne sont pas serrées et qui semblent lâches et peuvent causer des bruits irritants. Pour éviter d'endommager le cardiovélo, il faut revoir les instructions d'assemblage et prendre les mesures correctives nécessaires.

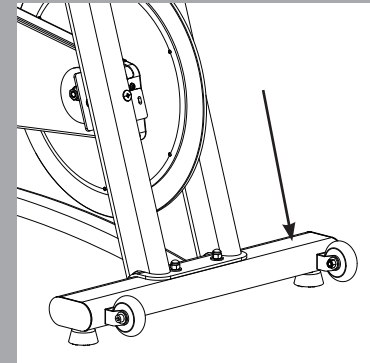
Avant de poursuivre, trouvez le numéro de série de votre cardiovélo, situé sur le stabilisateur avant du cycle, et inscrivez-le dans l'espace prévu ci-dessous.

ENTREZ VOTRE NUMÉRO DE SÉRIE DANS LA CASE CI-DESSOUS :

NUMÉRO DE SÉRIE :

--	--	--	--	--	--	--	--	--	--	--	--	--	--	--	--	--	--	--	--	--	--	--

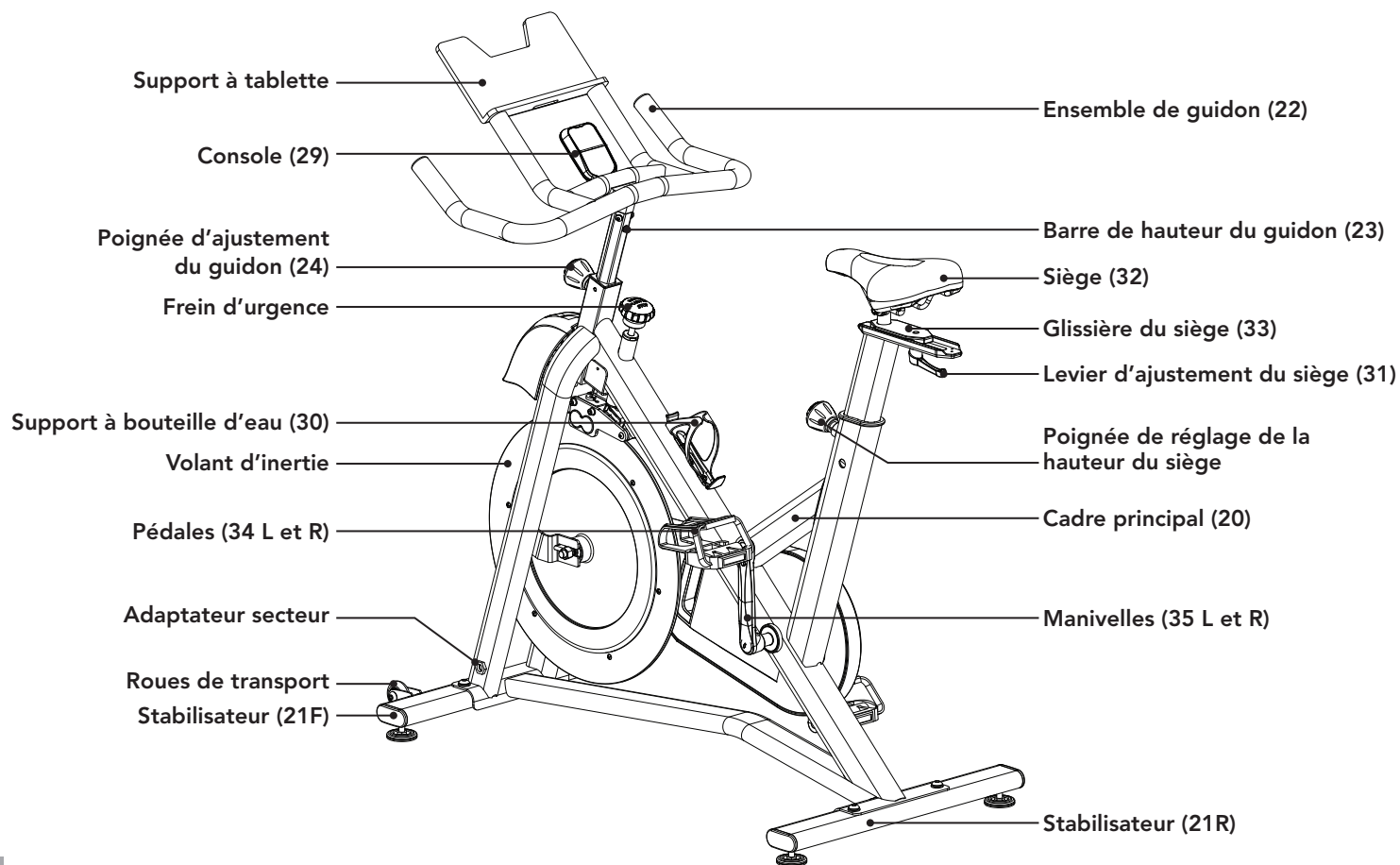
MODEL NAME: **HORIZON** **INDOOR CYCLE**



- » Référez-vous au NUMÉRO DE SÉRIE et au NOM DU MODÈLE lorsque vous appelez au service à la clientèle.
- » Assurez-vous d'entrer à la fois le NUMÉRO DE SÉRIE et le NOM DU MODÈLE sur votre fiche de garantie.



RENSEIGNEMENTS SUR LE MODÈLE





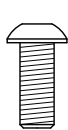
PIÈCES PRINCIPALES COMPRISES :

- Cadre principal (20)
- Stabilisateur avant (21F)
- Stabilisateur arrière (21R)
- Ensemble de guidon (22)
- Barre de hauteur du guidon (23)
- Console (29)
- Ensemble de pédales (34 L et R)
- Barre de hauteur du siège (31, 32 et 33)

EMBALLAGE DES PIÈCES INCLUS :

- 1 Trousse de matériel
- 1 Manuel de l'utilisateur

TROUSSE DE MATÉRIEL :



1
Boulon
M8
Qté: 7



2
Rondelle Élastique
Ø8.2
Qté: 7



3
Rondelle Plate
Ø8.2
Qté: 7



4
Boulon
M4
Qté: 3



5
Rondelle Plate
Ø10.0
Qté: 1

PRÉASSEMBLAGE

DÉBALLAGE

Compte tenu du poids du vélo d'intérieur, **il est recommandé que l'assemblage soit effectué par deux personnes**. Déballiez le produit à l'endroit où vous allez l'utiliser. Il est recommandé de placer un revêtement de protection sur votre sol. Placez le carton sur une surface plane et horizontale et retirez tous les matériaux d'emballage. Ne jetez pas les matériaux d'emballage avant la fin de l'assemblage.

REMARQUE : Lors de chaque étape de l'assemblage, assurez-vous que TOUS les écrous et boulons sont en place et partiellement filetés avant de serrer complètement UN seul boulon.

REMARQUE : Une légère application de graisse peut faciliter l'installation du matériel. Toute graisse, telle que la graisse pour vélo au lithium, est recommandée.

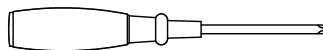
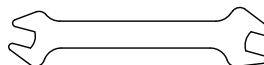
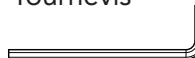


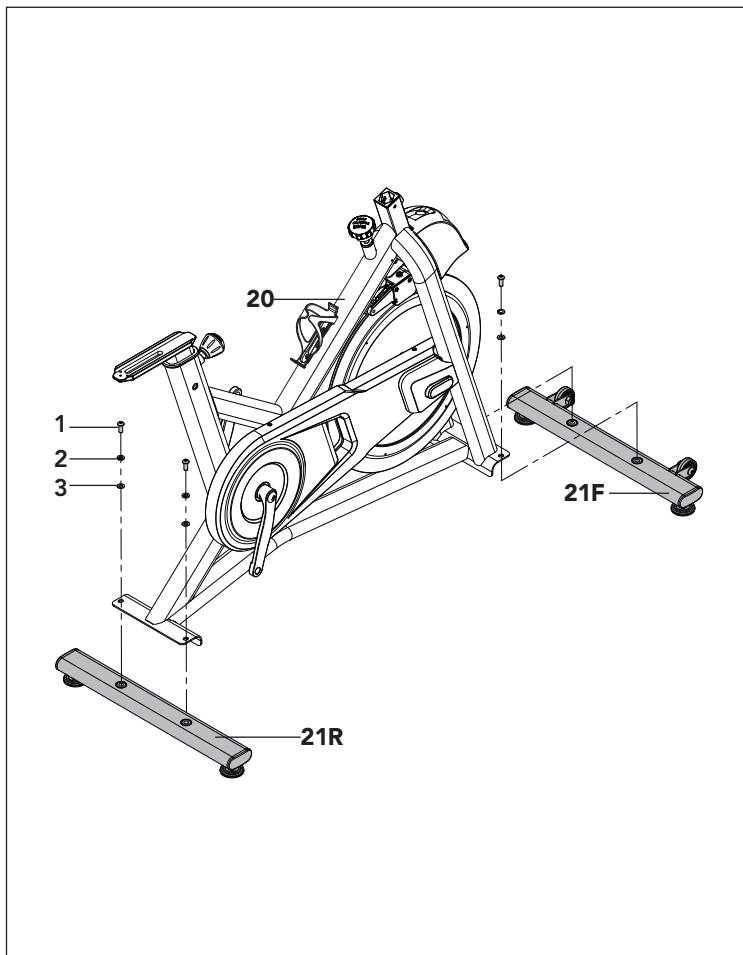
BESOIN D'AIDE?

Si vous avez des questions ou s'il manque des pièces, contactez le service d'assistance technique à la clientèle. Les coordonnées se trouvent sur le panneau arrière de ce manuel.

Trousse d'outils

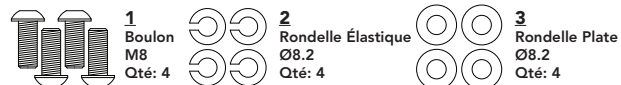
Clé de 5 mm
Clé de 13/15 mm
Tournevis





ASSEMBLAGE, ÉTAPE 1

MATÉRIEL, ÉTAPE 1 :



- 1.1 Ouvrez le matériel requis pour l'étape 1.
- 1.2 Attachez le **stabilisateur avant (21F)** et le **stabilisateur arrière (21R)** au **cadre principal (20)** en utilisant **4 écrous (1)**, **4 rondelles élastiques (2)** et **4 rondelles plates (3)**, puis serrez fermement.



ASSEMBLAGE, ÉTAPE 2

MATÉRIEL, ÉTAPE 2 :



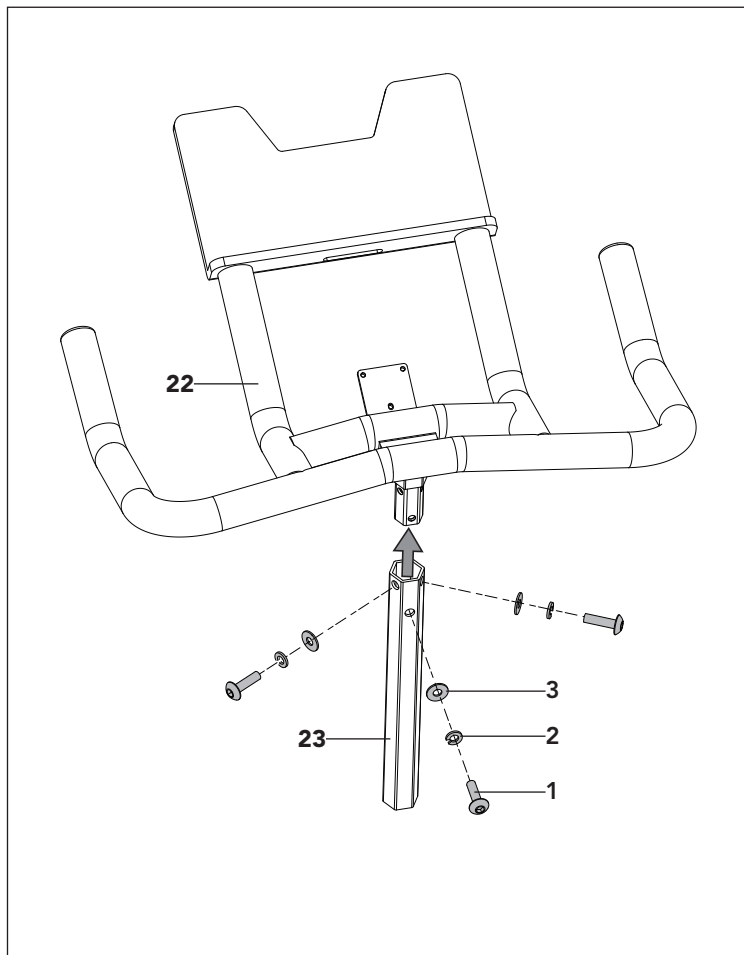
1
Boulon
M8
Qté: 3



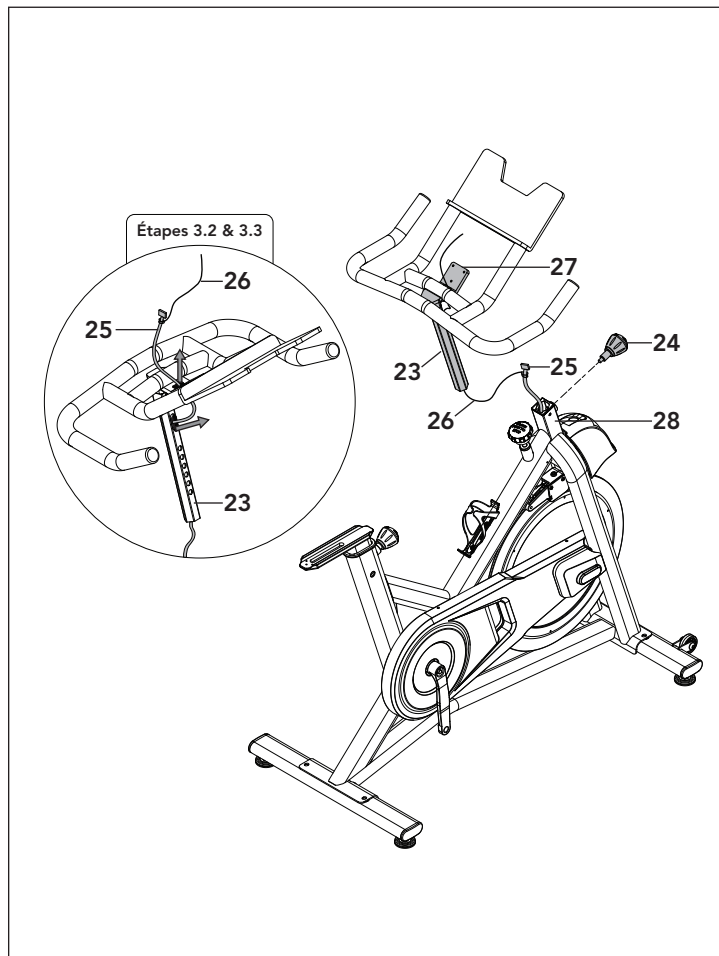
2
Rondelle
Élastique
Ø8.2
Qté: 3



3
Rondelle
Plate
Ø8.2
Qté: 3



- 2.1 Ouvrez le matériel requis pour l'étape 2.
- 2.2 Insérez le **guidon (22)** dans la **barre de hauteur du guidon (23)** et fixez l'avant avec **1 boulon (1)**, **1 rondelle élastique (2)** et **1 rondelle plate (3)**. Ne serrez pas le matériel avant la fin de l'étape 2.
- 2.3 Fixez les côtés avec **2 boulons (1)**, **2 rondelles élastiques (2)**, **2 rondelles plates (3)**.
- 2.4 Serrez fermement les boulons des **étapes 2.2 et 2.3**.



ASSEMBLAGE, ÉTAPE 3

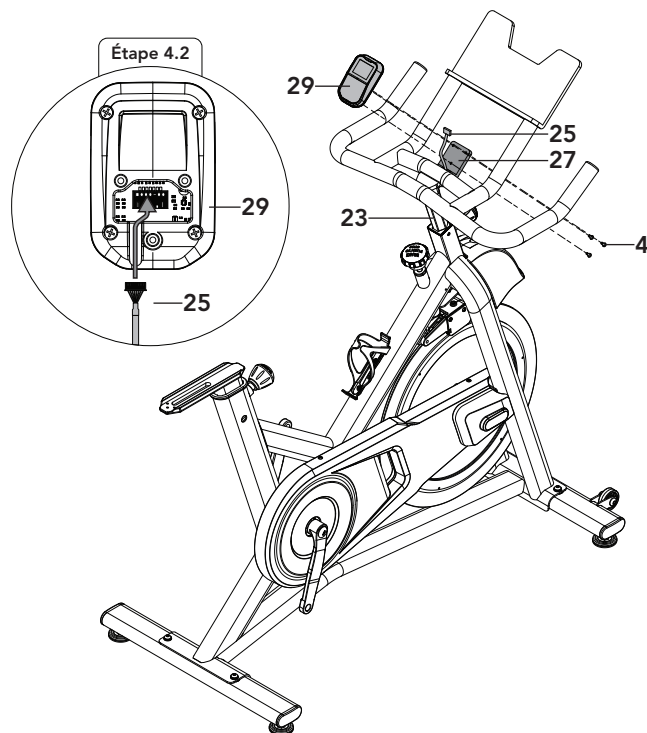
- 3.1 Enrouler le **câble guide (26)** au câble de la **console (25)** et tirez le **câble de la console (25)** du **tube de tête (28)** par la **barre de hauteur du guidon (23)** et par le trou en avant de la **barre de hauteur du guidon (23)**.
- 3.2 Tirez le **câble de la console (25)** par le trou dans le **support de la console (27)**.
- 3.3 Insérez la **barre de hauteur du guidon (23)** dans le **tube de tête (28)** et serrez avec la **poignée d'ajustement (24)** pour le fixer.
- 3.4 Détachez et jetez le **câble guide (26)**.

REMARQUE : Faites attention à ne pas pincer les câbles en assemblant le guidon.



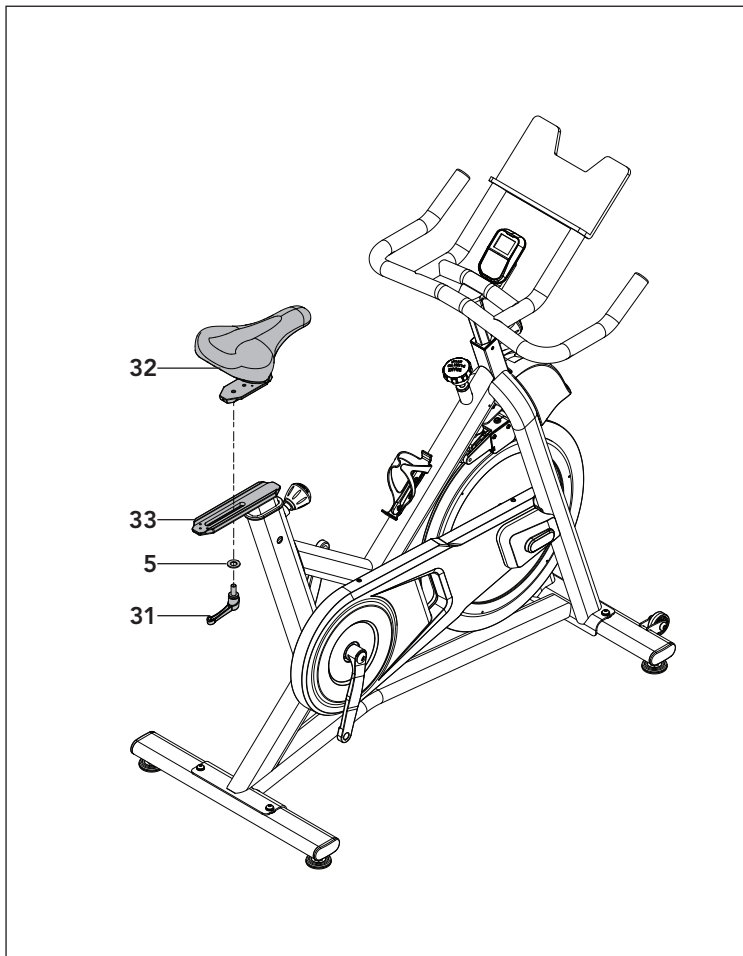
ASSEMBLAGE, ÉTAPE 4

MATÉRIEL, ÉTAPE 4 :



- 4.1 Ouvrez le matériel requis pour l'**étape 4**.
- 4.2 Attachez le **câble de la console (25)** à la **console (29)**.
- 4.3 Rentrez soigneusement le **câble de la console (25)** dans la **barre de hauteur du guidon (23)**.
- 4.4 Faites passer le **câble de la console (25)** dans le canal situé à l'arrière de la **console (29)** pour éviter de le pincer. Fixez la **console (29)** au **support de console (27)** à l'aide de **3 boulons (4)**.

REMARQUE : Faites attention à ne pas pincer les câbles en assemblant la console.



ASSEMBLAGE, ÉTAPE 5

MATÉRIEL, ÉTAPE 5 :

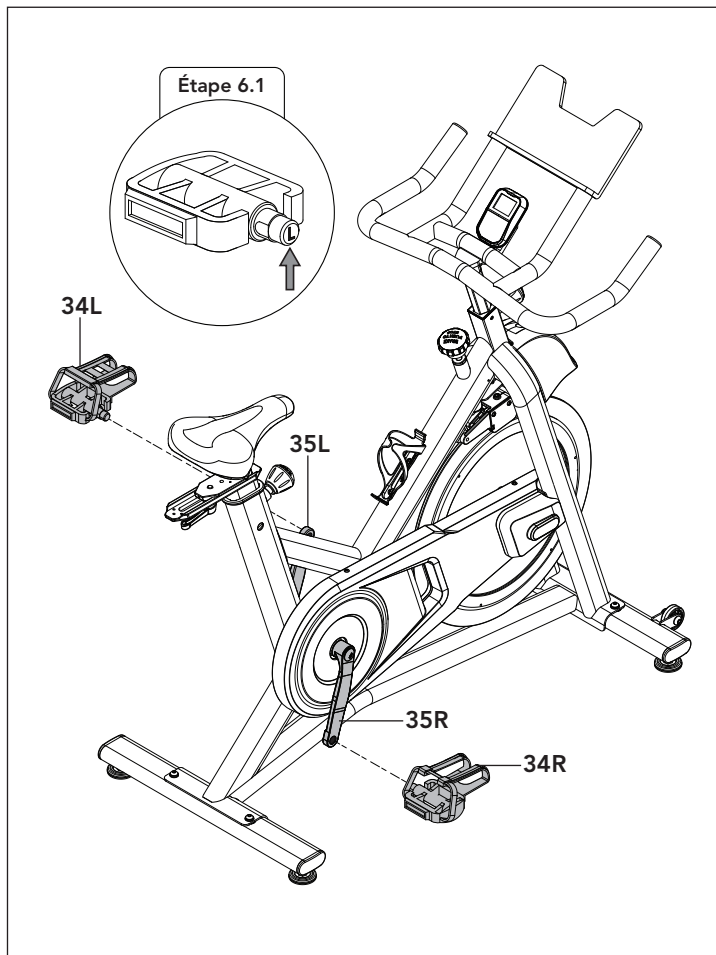


5
Rondelle Plate
Ø10
Qté: 1

- 5.1 Ouvrez le matériel requis pour l'**étape 5**.
- 5.2 Placez la **selle (32)** sur la **glissière de selle (33)**.
- 5.3 Fixez la **selle (32)** avec **1 rondelle plate (5)** et le **levier d'ajustement (31)**.



ASSEMBLAGE, ÉTAPE 6



- 6.1 Identifiez la **pédale gauche (34L)** qui est étiquetée **L** sur l'axe du pédalier et la **pédale droite (34R)** étiquetée **R**.
- 6.2 Insérez la **pédale de gauche (34L)** sur la **manivelle gauche (35L)** et serrez dans le sens antihoraire.
- 6.3 Insérez la **pédale de droite (34R)** sur la **manivelle droite (35R)** et serrez dans le sens horaire.
- 6.4 Utilisez la **clé mixte** pour serrer complètement les pédales.

FÉLICITATIONS!

Vous avez assemblé votre cardiovélo.

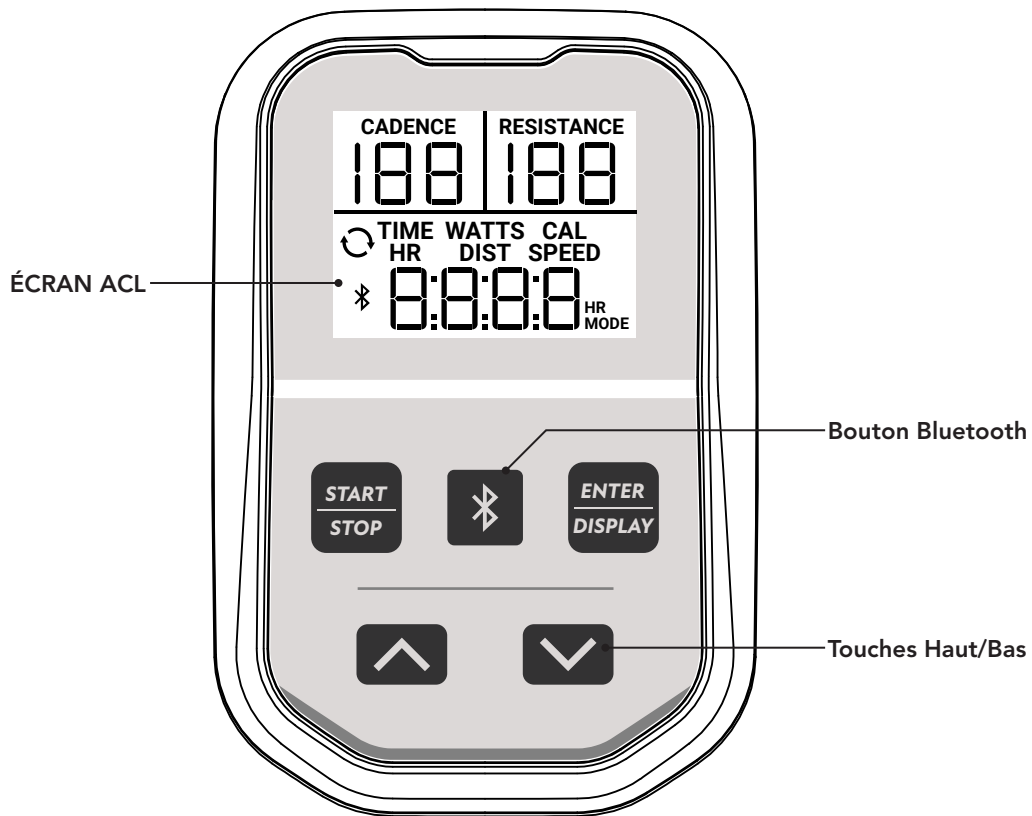




FONCTIONNEMENT DE LA CONSOLE




CONSOLE 5.0IC





AFFICHAGE DE LA CONSOLE 5.0IC

ÉCRAN ACL :

En mode exercice, la fenêtre supérieure de l'écran ACL affiche toujours la cadence et la résistance. La partie inférieure de l'écran peut afficher : Le temps, les watts, les calories (Cal), la fréquence cardiaque (HR), la distance (Dist) et la vitesse. Il existe également une fonction de cycle  par défaut qui affiche chacun des types de données pendant 5 secondes avant de passer au suivant. Pour verrouiller la partie inférieure sur l'affichage d'une donnée spécifique, appuyez sur le bouton Enter/Display jusqu'à ce que le libellé de la donnée souhaitée s'affiche. Pour revenir au cycle des données, appuyez sur le bouton Enter/Display jusqu'à ce que les deux flèches apparaissent.

Touches Haut et Bas :

Appuyez sur les touches Haut et Bas pour augmenter et diminuer les paramètres : Résistance ou Temps.

En mode exercices, les flèches Haut et Bas modifieront la résistance par 1. Si vous maintenez les touches fléchées enfoncées pendant plus d'une demi-seconde, la gamme de résistance augmentera ou diminuera de 5 jusqu'à ce que vous les relâchiez.

FONCTIONNEMENT DE LA CONSOLE 5.0IC

Réglage Manuel :

Appuyez sur le bouton Start/Stop pour débiter un entraînement manuel rapide. Dans ce mode, la résistance débutera à 0 et le chronomètre débutera à 0 seconde.

Personnalisez Votre Entraînement :

Appuyez sur le bouton Enter/Display jusqu'à ce que Time clignote. Utilisez les touches Haut/Bas pour régler le temps d'entraînement souhaité, puis appuyez sur le bouton Enter/Display pour confirmer le temps souhaité. Une fois la durée confirmée, la résistance de départ se met à clignoter. Réglez la résistance de départ souhaitée à l'aide des touches Haut/Bas et confirmez avec le bouton Enter/Display. Appuyez sur Start pour commencer la séance d'entraînement avec la durée et la résistance souhaitées.

Une fois votre programme personnalisé lancé, le compte à rebours s'enclenche à partir de l'heure souhaitée et la résistance commence à la valeur sélectionnée. Vous pouvez encore régler la résistance sur différentes valeurs pendant la séance d'entraînement.

Économiseur d'Énergie :


Pour minimiser la consommation d'énergie, votre appareil passe automatiquement en mode d'économie d'énergie (ERP) lorsqu'il n'est pas utilisé et la console se réveille rapidement par simple pression sur un bouton.



COMMENT BASCULER ENTRE LE MODE APP ET LE MODE BT RYTHME CARDIAQUE

Accueil- P1

Connexion à une application (mode par défaut)

Si vous utilisez une application tierce, veuillez activer le Bluetooth (BT) de votre appareil et suivre les instructions d'appairage de l'application. Assurez-vous que la console du vélo n'est pas connectée à d'autres appareils Bluetooth en vérifiant que le symbole BT  n'est pas allumé sur la console.

Si vous souhaitez utiliser la sangle BT HR avec une application tierce, connectez-vous à la sangle de FC à partir de l'interface de l'application (suivez les instructions de l'application pour trouver et vous connecter à la sangle BT HR).

Suivez les instructions de l'application tierce pour lancer le programme. Certaines exigent que vous démarriez depuis l'application, d'autres que vous appuyiez d'abord sur le bouton **Start** de la console.

Pour arrêter la séance d'entraînement, mettez fin à la course dans l'application et appuyez sur le bouton **Stop** de la console pendant 3 secondes.


HORIZON SYSTÈME DE FITNESS CONNECTÉ

Votre machine Horizon est compatible Bluetooth, ce qui vous permet d'utiliser la technologie Bluetooth 4.0 pour connecter sans fil votre appareil et d'autres applications à votre tapis de course Horizon. Pour une liste complète des applications de fitness tierces compatibles avec votre tapis de course Horizon, suivez le lien ci-dessous :


<http://horizonfit.co/5.0ic>



Connexion à la sangle BT HR (désactivé par défaut)

Pour accéder au **mode HR Strap**, assurez-vous que la console n'est pas actuellement connectée à un appareil Bluetooth (BT) en vérifiant qu'aucun symbole BT  n'est affiché sur la console.

Si vous portez la sangle BT HR, assurez-vous de lire les instructions de la sangle. Remarque : Certaines sangles BT HR doivent être humides pour lire la fréquence cardiaque avec précision.

Appuyez sur le bouton Bluetooth et maintenez-le pendant quelques secondes, jusqu'à ce que le symbole HR MODE s'affiche sur le coin droit de l'écran ACL. Une fois que la console a détecté la sangle BT HR, le symbole BT  s'affiche sur l'écran à DEL.

Appuyez sur **Start** pour commencer une séance d'entraînement et la console devrait afficher la fréquence cardiaque.

Pour quitter le mode HR Strap, déconnectez le dispositif BT HR et assurez-vous que le symbole BT disparaît de l'écran. Appuyez ensuite sur le bouton Bluetooth et maintenez-le enfoncé pendant quelques secondes jusqu'à ce que « HR MODE » disparaisse de l'écran à DEL. REMARQUE : il faut quelques secondes pour que le Bluetooth se déconnecte de la console.



RÉSOLUTION DE PROBLÈMES ET ENTRETIEN



QUESTIONS COURANTES SUR LE PRODUIT

EST-CE QUE LES SONS QUE FAIT MON CARDIOVÉLO SONT NORMAUX?

Nos cardiovélos sont parmi les plus silencieux du marché, car ils utilisent des courroies et des freins à résistance magnétique. Nous utilisons des roulements et des chaînes/courroies de la plus haute qualité pour minimiser le bruit. Cependant, comme le système de résistance lui-même est très silencieux, vous entendrez occasionnellement d'autres légers bruits mécaniques. Contrairement aux technologies plus anciennes et plus bruyantes, il n'y a pas de ventilateur, de courroie de friction ou d'alternateur pour masquer ces bruits sur nos cardiovélos. Ces bruits mécaniques, qui peuvent être intermittents ou non, sont normaux et sont causés par le transfert de quantités importantes d'énergie à un volant d'inertie qui tourne rapidement. Tous les roulements, chaînes/courroies et autres pièces rotatives génèrent un certain bruit qui est transmis par le boîtier et le cadre. Il est également normal que ces bruits changent légèrement au cours d'une séance d'entraînement et avec le temps en raison de la dilatation thermique des pièces.

POURQUOI LE CARDIOVÉLO QUE J'AI REÇU EST-IL PLUS BRUYANT QUE CELUI DU MAGASIN?

Tous les produits d'entraînement physique semblent plus silencieux dans la salle d'exposition d'un grand magasin, car le bruit de fond y est généralement plus important qu'à votre domicile. De plus, il y a moins de réverbération sur un sol en béton recouvert de tapis que sur un sol en bois. Parfois, un tapis en caoutchouc épais peut aider à réduire la réverbération qui se produit sur le plancher. Si un appareil d'exercice physique est placé près d'un mur, il y aura davantage de réverbération.

COMBIEN DE TEMPS DURERA LA COURROIE?

Selon la simulation par ordinateur que nous avons faite, la courroie durera pendant des milliers d'heures sans devoir être entretenue. Il est possible que vous ne remplaciez jamais la courroie pendant que vous aurez le cardiovélo.

PUIS-JE DÉPLACER LE CARDIOVÉLO FACILEMENT UNE FOIS QU'IL EST ASSEMBLÉ?

Votre cardiovélo possède une paire de roues de transport situées dans le tube du stabiliseur avant. Veuillez consulter la section sur le déplacement du cardiovélo pour transporter votre cardiovélo. Il est important que vous placiez votre cardiovélo dans une pièce confortable et accueillante. Votre cardiovélo est conçu pour prendre un minimum d'espace de plancher. Plusieurs personnes placent leur cardiovélo devant la télévision ou devant une fenêtre. Dans la mesure du possible, évitez de mettre votre cardiovélo dans un sous-sol non fini. Afin de rendre l'activité physique agréable pour vous, votre cardiovélo devrait être dans un environnement confortable.



RÉSOLUTION DE PROBLÈMES

PROBLÈME : Le cardiovélo émet un son de couinement.

SOLUTION : Vérifiez les éléments suivants :

- Le cardiovélo est sur une surface bien horizontale.
- Relâchez tous les boulons installés durant le processus d'assemblage, graissez les filets et resserrez-les.

Si cela ne règle pas le problème, vous pouvez
COMMUNIQUER AVEC LE SERVICE À LA CLIENTÈLE AU NUMÉRO INDIQUÉ SUR LE PANNEAU ARRIÈRE.

Lors de votre appel, on pourrait vous demander les renseignements suivants. Ayez à portée de main :

- Nom du modèle
- Numéro de série
- Preuve d'achat (reçu ou énoncé de carte de crédit)

Vous pouvez trouver d'autres suggestions de dépannage dans la section d'assistance à la clientèle de notre site web. Communiquez avec le service à la clientèle en utilisant les coordonnées figurant sur le PANNEAU ARRIÈRE.

Pour que l'assistance technique à la clientèle puisse réparer votre cardiovélo, elle devra peut-être poser des questions détaillées sur les symptômes qui se produisent. Voici quelques questions de dépannage qui peuvent être posées :

- Depuis combien de temps ce problème dure-t-il?
- Ce problème survient-il à chaque utilisation? Avec chaque utilisateur?
- Si vous entendez un son, vient-il de l'avant ou de l'arrière? De quel type de puis s'agit-il (martèlement, grincement, couinement, crissement, etc.)?
- L'appareil a-t-il été lubrifié et entretenu conformément au calendrier d'entretien? L'appareil a-t-il été lubrifié et entretenu conformément au calendrier d'entretien?

En répondant à ces questions et à d'autres, les techniciens seront en mesure d'envoyer les pièces de rechange adéquates et le service nécessaire pour que remettre votre cardiovélo (et vous!) en pleine forme.



ENTRETIEN

Quel type d'entretien de routine est requis?

Un entretien et un nettoyage minimaux sont requis. Nous utilisons des roulements étanches sur l'ensemble de nos vélos, de sorte que la lubrification n'est pas nécessaire. L'étape d'entretien la plus importante consiste simplement à essuyer votre transpiration sur le vélo après chaque utilisation.

Comment dois-je nettoyer mon vélo?

Nettoyez-le avec des nettoyants faits d'eau et de savon doux seulement. N'utilisez jamais de solvants sur les pièces en plastique. La propreté de votre vélo et de son environnement d'utilisation permettra de réduire au minimum les problèmes d'entretien et les appels de service. C'est pourquoi nous vous recommandons de suivre le programme d'entretien préventif suivant.

HORAIRE D'ENTRETIEN

APRÈS CHAQUE UTILISATION

Nettoyez le cardiovélo en utilisant des tissus doux ou des essuie-tout ou d'autres agents doux (les agents nettoyants devraient être sans alcool et sans ammoniaque). Désinfectez la selle et le guidon et essuyez tout résidu corporel.

AVANT CHAQUE UTILISATION

Assurez-vous que le cardiovélo est bien horizontal et qu'il ne se balance pas. Assurez-vous que les pédales sont fixées dans les manivelles et qu'elles ne sont pas filetées en travers, que toutes les vis des pédales sont bien serrées et que les sangles des pédales ne sont pas effilochées.

AUX DEUX SEMAINES

Testez le frein d'urgence afin de vous assurer qu'il fonctionne correctement. Pour ce faire, appuyez sur le levier de frein d'urgence rouge en pédalant. S'il fonctionne correctement, il ralentira immédiatement le volant d'inertie jusqu'à l'arrêter complètement.

TOUS LES MOIS

Inspectez tous les boulons d'assemblage et des pédales sur l'appareil afin de vous assurer qu'ils sont correctement fixés.

Le respect de ce calendrier prolongera la durée de vie de votre appareil.



GARANTIE LIMITÉE SUR L'USAGE À DOMICILE



CAPACITÉ DE MASSE = 136 kg (300 lb)

CADRE • À VIE

Le fabricant garantit le cadre contre les défauts de fabrication et de matériaux pour la période indiquée ci-dessus à partir de la date d'achat, tant que l'appareil reste en possession du propriétaire initial. (Le cadre est défini comme étant la base métallique soudée de l'appareil et ne comprend pas les pièces qui peuvent être retirées).

ÉLECTRONIQUE ET PIÈCES • 1 AN

Le fabricant garantit les composants électroniques, la finition et toutes les pièces d'origine pour une période d'un an à compter de la date d'achat initiale, tant que l'appareil reste en possession du propriétaire initial.

MAIN D'ŒUVRE • 1 AN

Le fabricant couvre les frais de main-d'œuvre pour la réparation de l'appareil pendant une période d'un an à compter de la date d'achat initiale, tant que l'appareil reste en possession du propriétaire initial.

EXCLUSIONS ET LIMITES

Qui EST couvert :

- Le propriétaire original, sans possibilité de transfert.

Ce qui EST couvert :

- La réparation ou le remplacement d'un moteur défectueux, d'un composant électronique ou d'une pièce défectueuse est le seul recours de la garantie.

Ce qui N'EST PAS couvert :

- L'usure normale, l'assemblage ou l'entretien inadéquat, ou l'installation de pièces ou d'accessoires non prévus à l'origine ou non compatibles avec l'équipement tel que vendu.
- Dommages ou défaillances dus à un accident, à un abus, à la corrosion, à la décoloration de la peinture ou du plastique, à la négligence, au vol, au vandalisme, au feu, à une inondation, au vent, à la foudre, au gel ou à toute autre catastrophe naturelle de quelque nature que ce soit, à une réduction, une fluctuation ou une défaillance de l'alimentation quelle qu'en soit la cause, à des conditions atmosphériques inhabituelles, à une collision, à l'introduction d'objets étrangers dans l'unité couverte ou à des modifications non autorisées ou non recommandées par le fabricant.
- Dommages accidentels ou consécutifs. Le fabricant n'est pas responsable des dommages indirects, spéciaux ou consécutifs, des pertes économiques, de la perte de biens ou de profits, de la perte de jouissance ou d'utilisation, ou d'autres dommages consécutifs de quelque nature que ce soit en rapport avec l'achat, l'utilisation, la réparation ou l'entretien de l'équipement. Le fabricant n'offre aucune



compensation monétaire ou autre pour de telles réparations ou le coût des pièces de rechange, y compris, mais sans s'y limiter, les frais d'adhésion à un centre de conditionnement physique, le temps de travail perdu, les visites de diagnostic, les visites d'entretien ou le transport.

- L'équipement utilisé à des fins commerciales ou à des fins autres que celles d'une seule famille ou d'un ménage, à moins que le fabricant n'ait approuvé la couverture.
- L'équipement possédé ou utilisé en dehors des États-Unis et du Canada.
- La livraison, l'assemblage, l'installation, la configuration des unités d'origine ou de remplacement ou la main-d'œuvre ou les autres coûts associés à la dépose ou au remplacement de l'unité couverte.
- Toute tentative de réparation de cet équipement crée un risque de blessure. Le fabricant n'est pas responsable de tout dommage, perte ou responsabilité découlant de toute blessure corporelle survenue au cours ou à la suite d'une réparation ou d'une tentative de réparation de votre équipement de conditionnement physique par une personne autre qu'un technicien de service autorisé. Toutes les réparations que vous tentez d'effectuer sur votre appareil sont effectuées à VOS PROPRES RISQUES et le fabricant ne peut être tenu responsable de tout dommage corporel ou matériel résultant de ces réparations.
- Si vous n'êtes plus couvert par la garantie du fabricant, mais que vous bénéficiez d'une extension de garantie, reportez-vous à votre contrat d'extension de garantie pour connaître les coordonnées des personnes avec lesquelles communiquer en cas de demande d'extension de garantie ou de réparation.

SERVICE/RETOURS

- Le service à domicile est disponible dans un rayon de 240 km (150 milles) autour du centre de service agréé le plus proche (le kilométrage au-delà de 240 km [150 milles] d'un centre de service agréé est à la charge du consommateur).
- Tous les retours doivent être autorisés au préalable par le fabricant.
- L'obligation du fabricant dans le cadre de cette garantie est limitée au remplacement ou à la réparation, au choix du fabricant, du même modèle ou d'un modèle comparable.
- Le fabricant peut demander que les composants défectueux lui soient retournés à la fin du service de garantie en utilisant une étiquette de retour prépayée. Si on vous a conseillé de renvoyer des pièces et que vous n'avez pas reçu d'étiquette, veuillez communiquer avec le service d'assistance technique à la clientèle.
- Les unités de remplacement, les pièces et les composants électroniques remis à l'état neuf par le fabricant ou ses fournisseurs peuvent parfois être fournis en tant que remplacement sous garantie et constituent le respect des conditions de la garantie.
- Cette garantie vous donne des droits légaux spécifiques, et vos droits peuvent varier d'un état à l'autre.



ESPAÑOL



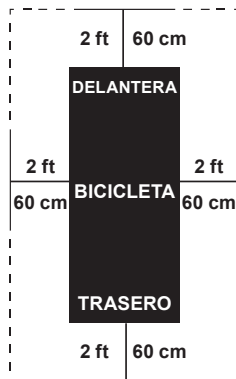
OPERACIÓN DE LA BICICLETA FIJA



CÓMO MOVER LA BICICLETA FIJA

Debido al peso de la bicicleta fija, se recomienda que dos personas la muevan. Mientras una persona levanta la parte trasera de la bicicleta fija, la segunda agarra firmemente el manubrio y la inclina hacia delante hasta que rueda sobre las ruedas. Cuidadosamente, mueva la bicicleta fija al lugar deseado y luego bájela.

Si luego de colocarla, la bicicleta fija se mece en el piso, gire las pata niveladoras que están debajo del estabilizador delantero o trasero hasta eliminar el balanceo.

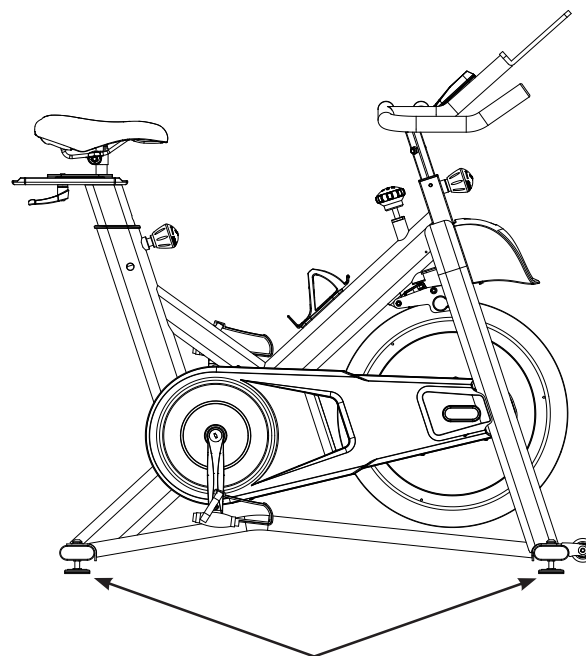


UBICACIÓN DE LA BICICLETA FIJA

Coloque la bicicleta fija sobre una superficie nivelada. Debe haber un espacio libre de 60 cm (24") alrededor de cada lado de la bicicleta fija. No coloque la bicicleta en lugares que puedan bloquear ventilas o entradas de aire. La bicicleta fija no se debe colocar en garajes, patios cubiertos, cerca de agua, ni en exteriores.

⚠ ADVERTENCIA

Para reducir el riesgo de lesiones, tenga mucha precaución al mover la bicicleta fija. No intente moverla sobre superficies irregulares, y asegúrese de que haya un espacio libre mínimo de 60 cm (24") en todos los lados del equipo.



Patas Niveladoras

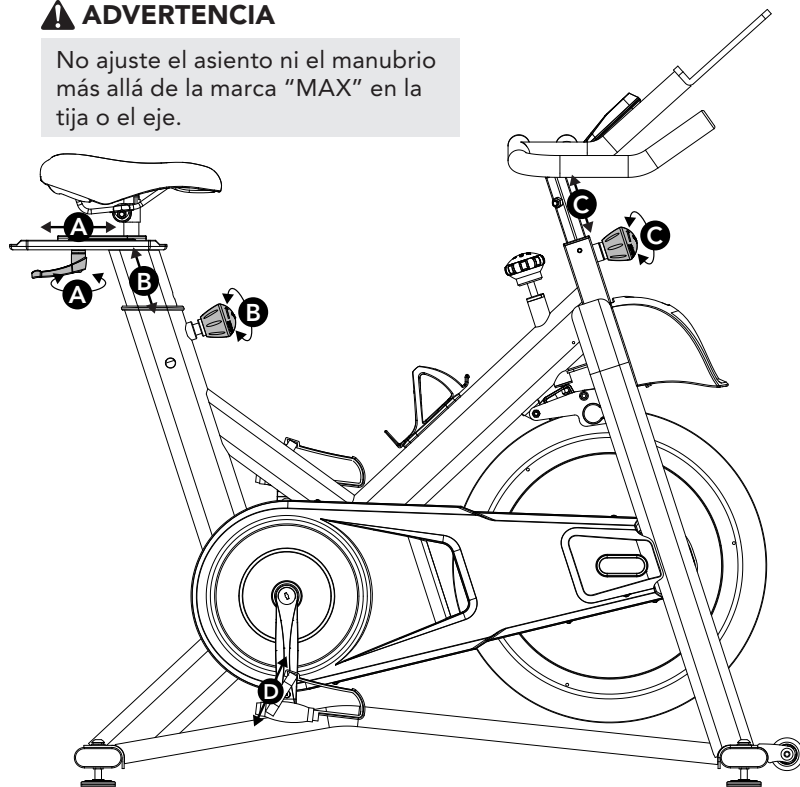


CÓMO AJUSTAR LA BICICLETA FIJA

La bicicleta fija se puede ajustar para máxima comodidad y efectividad del ejercicio. Las siguientes instrucciones describen una manera para ajustar la bicicleta fija y asegurar la comodidad óptima del usuario y el posicionamiento ideal del cuerpo. Puede elegir ajustarla de otra manera.

⚠ ADVERTENCIA

No ajuste el asiento ni el manubrio más allá de la marca "MAX" en la tija o el eje.



AJUSTE DEL ASIENTO

El ajuste correcto del asiento ayuda a garantizar la máxima eficacia y comodidad durante el ejercicio, reduciendo a la vez el riesgo de lesiones. Ajuste la altura del asiento asegurándose de que quede en posición correcta: que mantenga la rodilla ligeramente doblada al tener las piernas extendidas.

AJUSTE DEL MANILLAR

El manubrio se ajusta en la posición adecuada principalmente para la comodidad. Por lo general, para los ciclistas principiantes el manubrio debe estar posicionado ligeramente más alto que el sillín. Los ciclistas avanzados pueden probar diferentes alturas para lograr la configuración más adecuada.

A. Posición horizontal del asiento

Rote la palanca de ajuste hacia la izquierda para deslizar el asiento hacia adelante o hacia atrás, según lo desee. Rote la palanca hacia la derecha para bloquear la posición del asiento. Pruebe que el deslizador del asiento funcione correctamente.

B. Altura del asiento

Gire la perilla de ajuste hacia la izquierda y ajuste el asiento en la posición en que pueda pedalear cómodamente. Rote la perilla hacia la derecha para bloquear la posición del asiento.

C. Altura del manubrio

Gire la perilla de ajuste hacia la izquierda mientras sube o baja el manubrio con la otra mano. Gire la perilla de ajuste hacia la derecha para bloquear la posición del manubrio.

D. Correas de pedales

Coloque la bola del pie en el calapié hasta que esté centrada sobre el pedal, tome la correa del pedal y ajústela antes de usarla. Para sacar el pie del calapié, suelte la correa y sáquelo.



CONTROL DE RESISTENCIA Y FRENO DE EMERGENCIA

El nivel de dificultad preferido al pedalear (resistencia) se puede ajustar en pasos mediante el uso de los botones de resistencia que están en la consola. Para aumentar la resistencia, presione el botón de la flecha arriba. Para disminuir la resistencia, presione el botón de la flecha abajo.

IMPORTANTE:

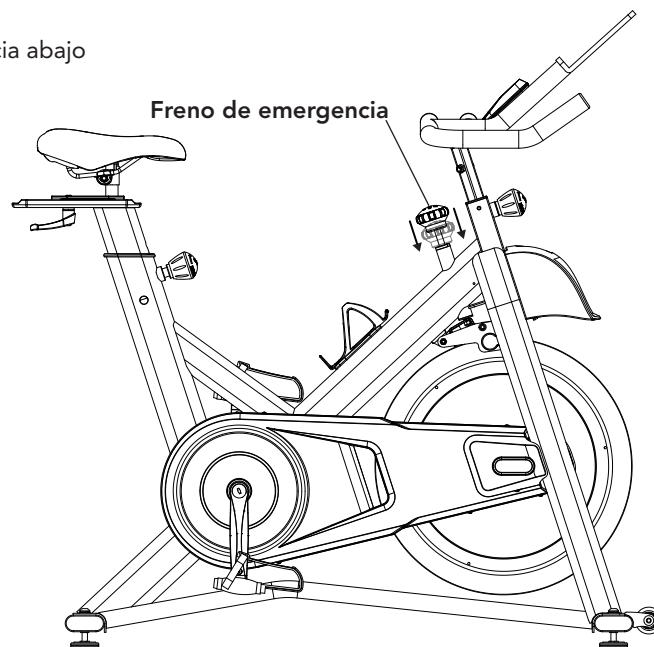
- Para detener el volante al pedalear, presione fuertemente hacia abajo el freno de emergencia hasta que el freno roce con el volante.
- El volante debe detenerse por completo rápidamente.
- Asegúrese de tener los zapatos fijos en el calapiés.
- Cuando no use la bicicleta, ajústela en resistencia máxima para evitar lesiones ocasionadas por el movimiento de los componentes de la transmisión.

⚠ ADVERTENCIA

El volante de la bicicleta fija no es libre: los pedales continúan moviéndose junto con el volante hasta que este se detiene. Es necesario reducir la velocidad de manera controlada. Para detener el volante inmediatamente, presione con fuerza hacia abajo el freno de emergencia. Siempre pedalee de manera controlada y ajuste el ritmo de acuerdo a sus propias capacidades. Presionar el freno de emergencia hacia abajo = parada de emergencia.

⚠ ADVERTENCIA

La bicicleta fija utiliza un volante que acumula inercia y mantiene los pedales girando, incluso cuando el usuario deja de pedalear o sus pies se resbalan. **NO INTENTE QUITAR LOS PIES DE LOS PEDALES O BAJARSE DE LA MÁQUINA HASTA QUE LOS DOS PEDALES Y EL VOLANTE SE HAYAN DETENIDO COMPLETAMENTE.** Incumplir con seguir estas instrucciones puede conducir a la pérdida de control y posibles lesiones graves.





ENSAMBLAJE

⚠ ADVERTENCIA

Hay varias indicaciones del proceso de ensamblaje a las que se debe prestar atención especial. Es muy importante seguir las instrucciones de ensamblaje correctamente y asegurarse de que todas las piezas estén firmemente apretadas. Si no se siguen correctamente las instrucciones de ensamblaje, la bicicleta fija podría quedar con piezas sueltas, parecer endeble y generar ruidos molestos. Para evitar daños a la bicicleta fija, se deben revisar las instrucciones de ensamblaje y tomar las acciones correctivas.

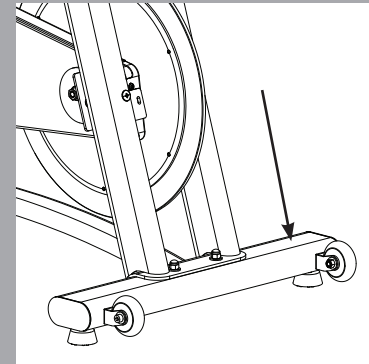
Antes de continuar, busque el número de serie de la bicicleta fija que se encuentra en el estabilizador delantero de la bicicleta y escríbalo en el espacio que encuentra a continuación.

ESCRIBA EL NÚMERO DE SERIE EN EL RECUADRO A CONTINUACIÓN:

NÚMERO DE SERIE:

--	--	--	--	--	--	--	--	--	--	--	--	--	--	--	--	--	--	--	--	--

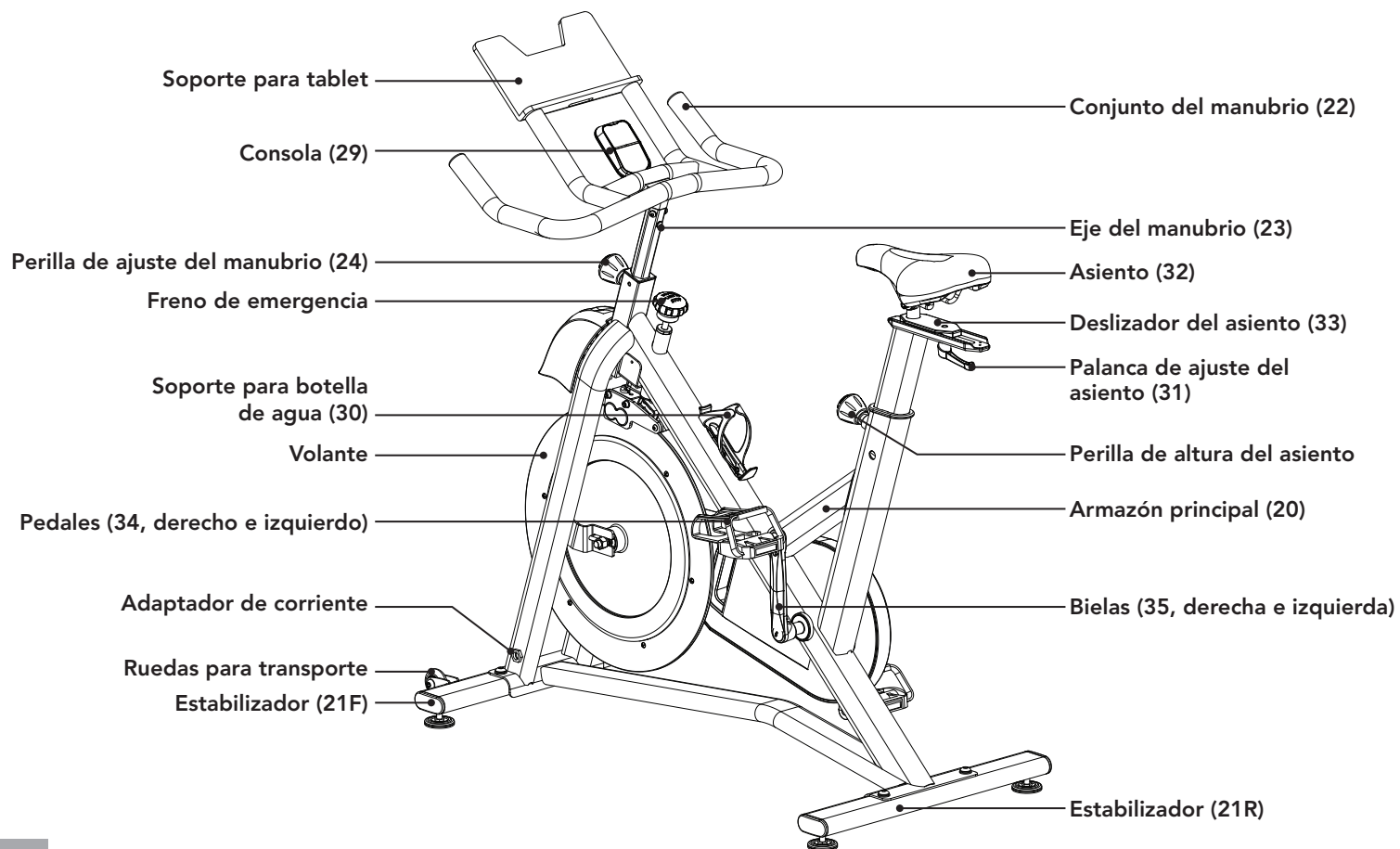
NOMBRE DEL MODELO: **HORIZON** **INDOOR CYCLE**



- » Refiérase al NÚMERO DE SERIE y el NOMBRE DEL MODELO al llamar para solicitar servicio.
- » Asegúrese de escribir tanto el NÚMERO DE SERIE como el NOMBRE DEL MODELO en su tarjeta de garantía.



INFORMACIÓN DEL MODELO





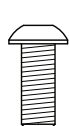
PARTES PRINCIPALES INCLUIDAS:

- Armazón Principal (20)
- Estabilizador Delantero (21F)
- Estabilizador Trasero (21R)
- Conjunto del Manubrio (22)
- Eje del Manubrio (23)
- Consola (29)
- Conjunto de Pedales (34, derecho e izquierdo)
- Conjunto de la Tija del Asiento (31, 32 y 33)

PIEZAS INCLUIDAS EN EL EMPAQUE:

- 1 Kit de Tornillería
- 1 manual del Usuario

KIT DE TORNILLERÍA:



1
Perno
M8
Cant.: 7



2
Arandela de Presión
Ø8.2
Cant.: 7



3
Arandela de Plana
Ø8.2
Cant.: 7



4
Perno
M4
Cant.: 3



5
Arandela de Plana
Ø10.0
Cant.: 1

ANTES DE ENSAMBLAR

DESEMPACAR

Debido al peso de la bicicleta fija, **se recomienda que dos personas realicen el ensamblaje**. Desempaque el producto en el lugar donde lo va a utilizar. Se recomienda que cubra el piso con un elemento protector. Coloque el cartón en una superficie plana y retire todos los materiales de embalaje: no los deseche hasta terminar de ensamblar la bicicleta.

NOTA: Durante cada uno de los pasos del ensamblaje, asegúrese de que **TODAS** las tuercas y pernos estén en su lugar y parcialmente enroscados antes de apretar CUALQUIER perno.

NOTA: Aplicar una capa de grasa ligera puede ayudar a instalar las piezas. Se recomienda usar cualquier grasa, como grasa de litio para bicicletas.

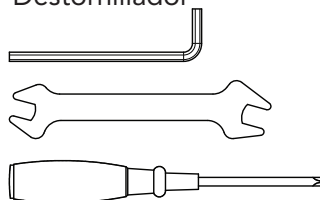


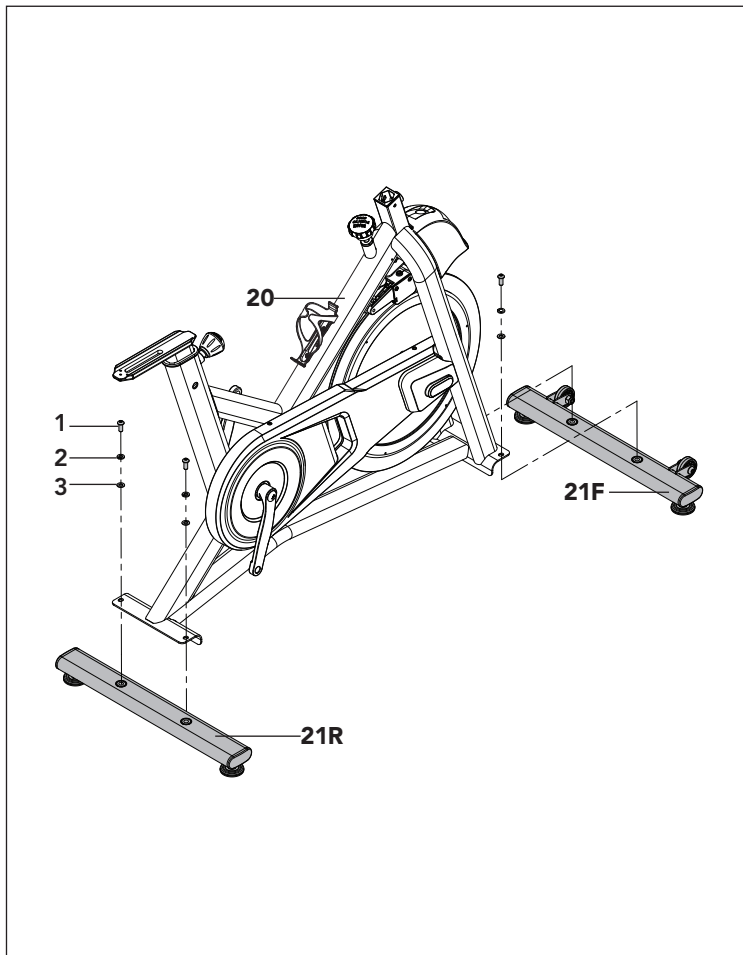
¿NECESITAS AYUDA?

Si tiene preguntas o faltan piezas, comuníquese con Asistencia Técnica al Cliente. La información de contacto está en la contraportada de este manual.

Kit de Herramientas

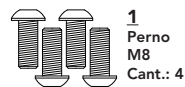
Llave Allen de 5 mm
Llave de 13 y 15 mm
Destornillador





PASO DE ENSAMBLAJE 1

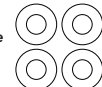
PASO 1. TORNILLERÍA:



1
Perno
M8
Cant.: 4



2
Arandela de
Presión
Ø8.2
Cant.: 4



3
Arandela de
Plana
Ø8.2
Cant.: 4

- 1.1 Abra la tornillería para el **Paso 1**.
- 1.2 Acople el **estabilizador delantero (21F)** y el **trasero (21R)** al **armazón principal (20)** usando los **4 pernos (1)**, **4 arandelas de presión (2)** y **4 arandelas planas (3)**, y apriete firmemente.



PASO DE ENSAMBLAJE 2

PASO 2. TORNILLERÍA:



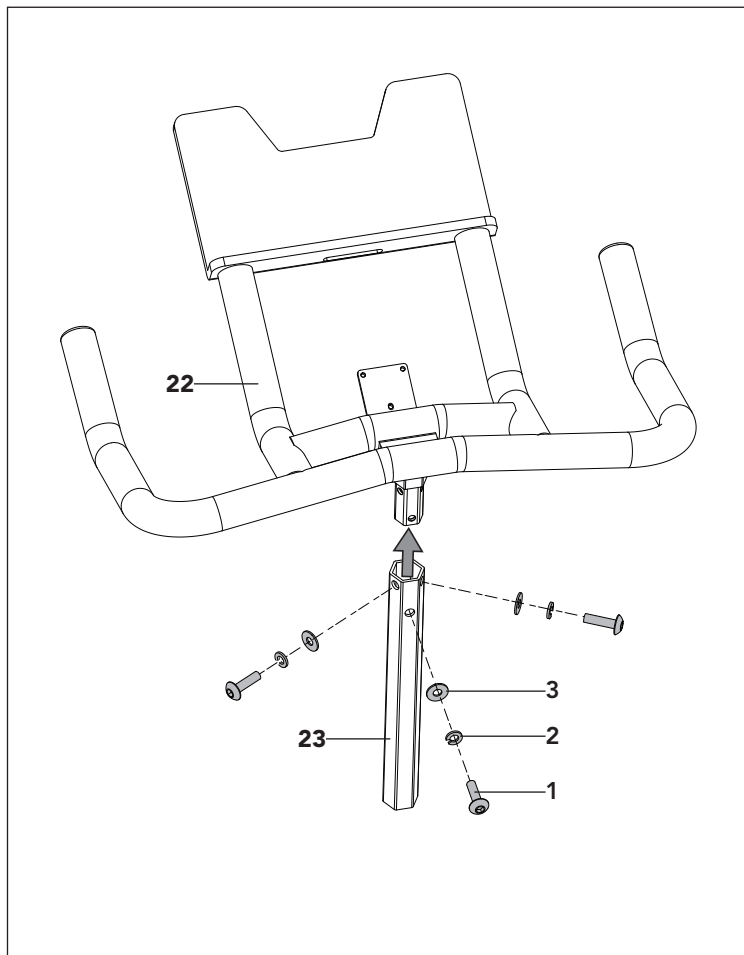
1
Perno
M8
Cant.: 3



2
Arandela de
Presión
Ø8.2
Cant.: 3



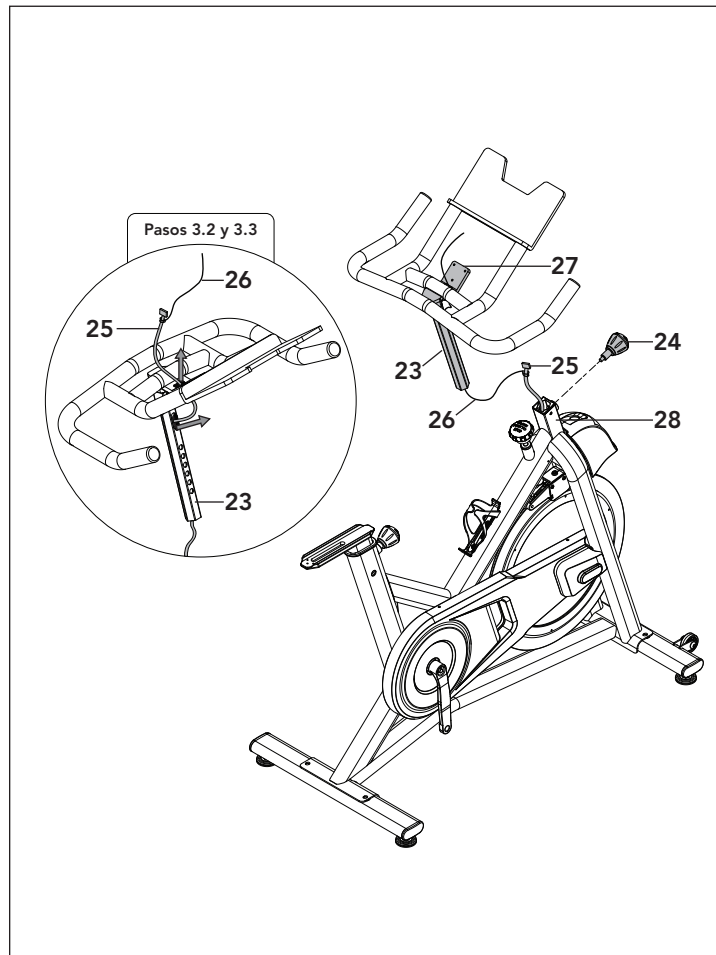
3
Arandela de
Plana
Ø8.2
Cant.: 3



- 2.1 Abra la tornillería para el **Paso 2**.
- 2.2 Inserte los **manubrios (22)** en el **eje del manubrio (23)** y asegure el frente con **1 perno (1)**, **1 arandela de presión (2)** y **1 arandela plana (3)**. No apriete totalmente la tornillería hasta el final del **Paso 2**.
- 2.3 Asegure los lados con **2 pernos (1)**, **2 arandelas de presión (2)**, **2 arandelas planas (3)**.
- 2.4 Apriete completamente los pernos de los **Pasos 2.2 y 2.3**.



PASO DE ENSAMBLAJE 3



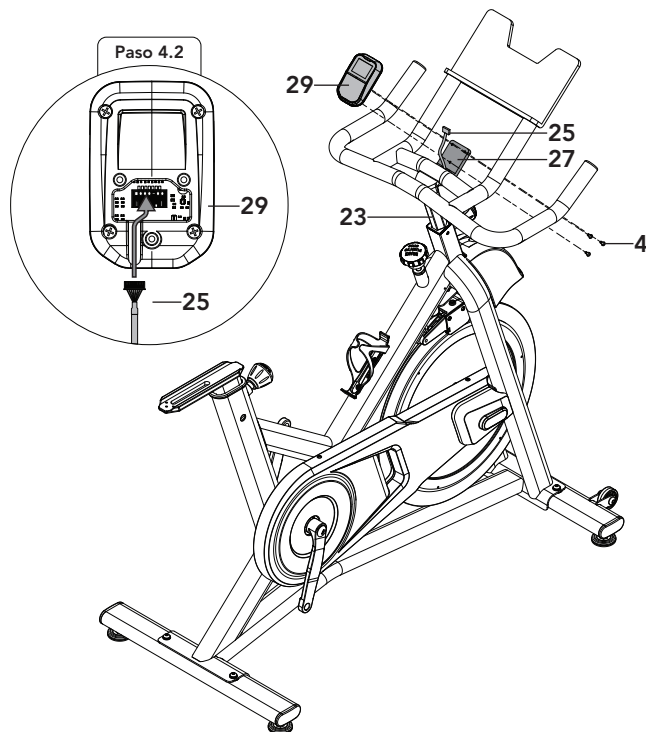
- 3.1 Envoltura el **cable guía (26)** al **cable de la consola (25)** y hale el **cable de la consola (25)** del **tubo principal (28)** a través del **eje del manubrio (23)** para sacarlo por el agujero que está en el frente del **eje del manubrio (23)**.
- 3.2 Hale el **cable de la consola (25)** pasándolo por el agujero del **soporte de la consola (27)**.
- 3.3 Inserte el **eje del manubrio (23)** en el **tubo principal (28)** y apriete con la **perilla de ajuste (24)** para asegurarlo.
- 3.4 Desconecte y deseche el **cable guía (26)**.

NOTA: Tenga cuidado de no pellizcar los cables al ensamblar los manubrios.



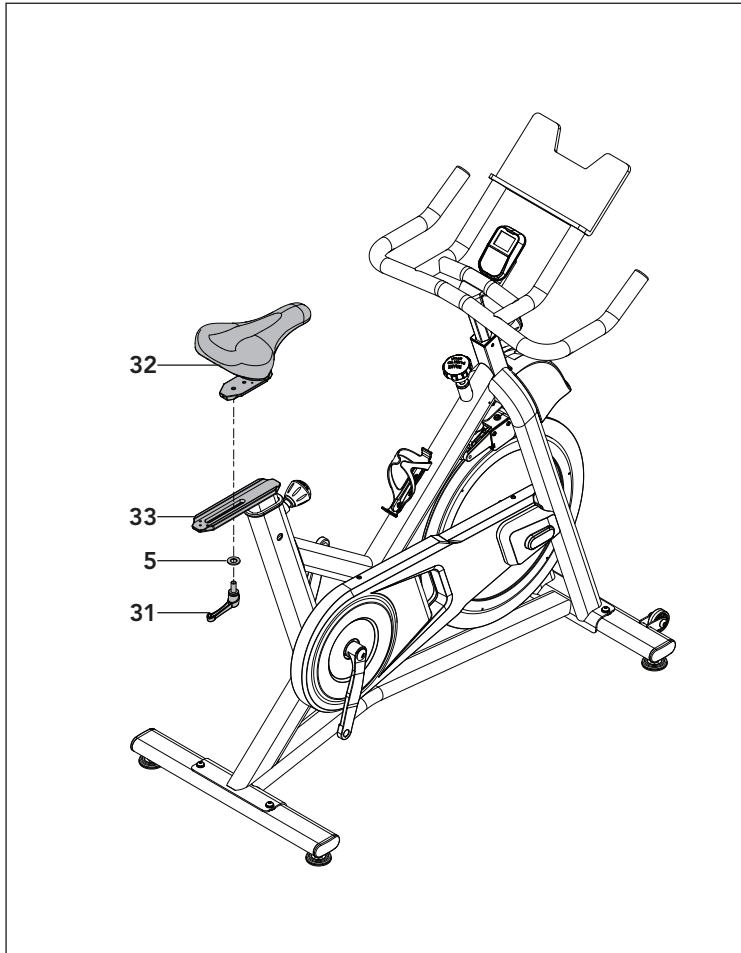
PASO DE ENSAMBLAJE 4

PASO 4. TORNILLERÍA:



- 4.1 Abra la tornillería para el **Paso 4**.
- 4.2 Conecte el **cable de la consola (25)** a la **consola (29)**.
- 4.3 Cuidadosamente inserte el **cable de la consola (25)** en el **eje del manubrio (23)**.
- 4.4 Pase el **cable de la consola (25)** a través del canal que tiene la **consola (29)** en la parte posterior, para evitar pellizcarlo. Acople la **consola (29)** al **soporte de la consola (27)** usando **3 pernos (4)**.

NOTA: Tenga cuidado de no pellizcar los cables al ensamblar la consola.



PASO DE ENSAMBLAJE 5

PASO 5. TORNILLERÍA:

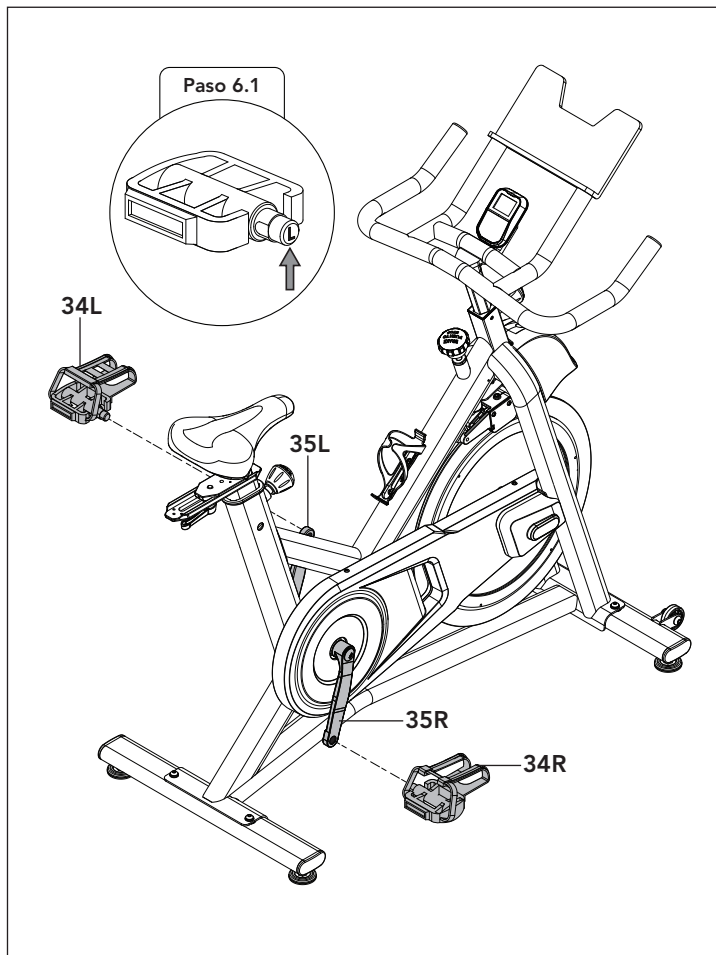


5
Arandela de Plana
Ø10
Cant.: 1

- 5.1 Abra la tornillería para el **Paso 5**.
- 5.2 Coloque el **asiento (32)** en el **deslizador del asiento (33)**.
- 5.3 Asegure el **asiento (32)** con **1 arandela plana (5)** y la **palanca de ajuste (31)**.



PASO DE ENSAMBLAJE 6



- 6.1 Identifique el **pedal izquierdo (34L)**, que está marcado "L" en el eje, y el **pedal derecho (34R)** marcado con "R".
- 6.2 Inserte el **pedal izquierdo (34L)** en la **biela izquierda (35L)** y apriete hacia la izquierda.
- 6.3 Inserte el **pedal derecho (34R)** en la **biela derecha (35R)** y apriete hacia la derecha.
- 6.4 Utilice la **llave combinada** para apretar los pedales completamente.

¡FELICITACIONES!

Ha terminado de ensamblar correctamente su bicicleta fija.

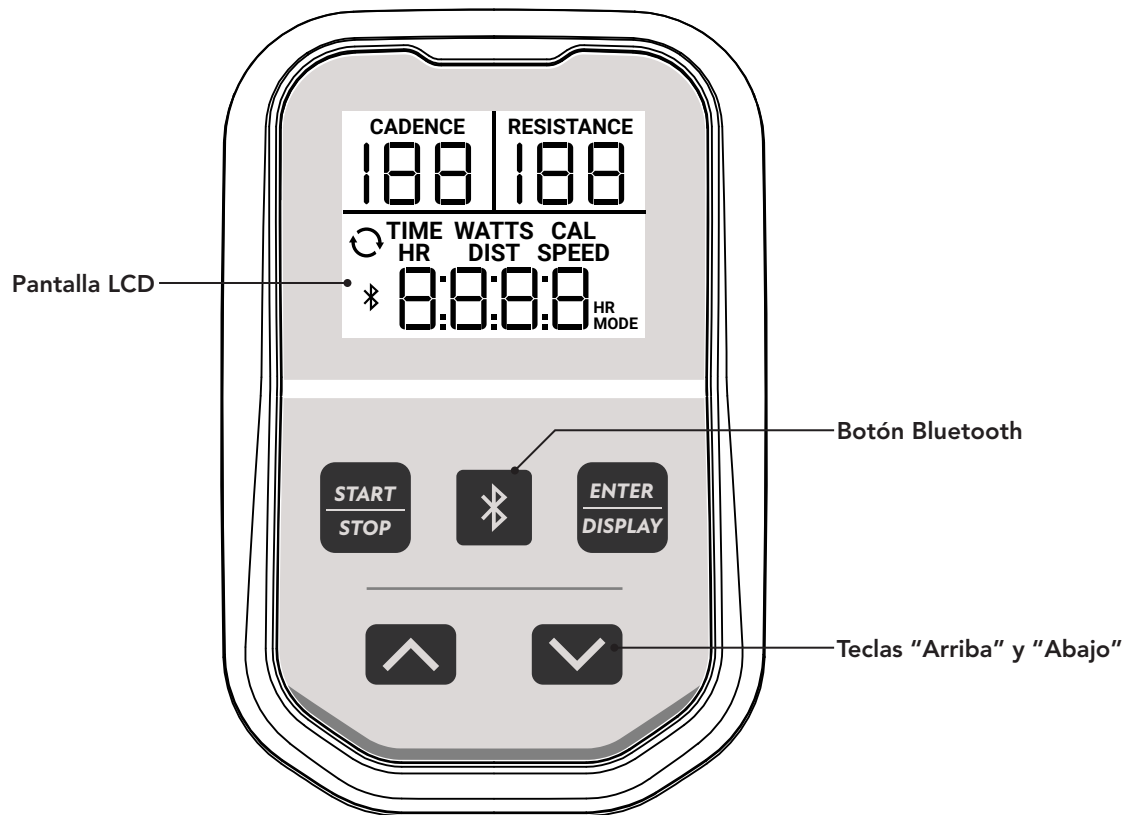




FUNCIONAMIENTO DE LA CONSOLA



CONSOLA 5.0IC






PANTALLA DE LA CONSOLA 5.0IC

Pantalla LCD:

En modo de ejercicio, la parte superior de la pantalla LCD siempre mostrará el ritmo y la resistencia.

La parte inferior de la pantalla puede mostrar: Hora, vatios, calorías (Cal), frecuencia cardíaca (FC), distancia (Dist) y velocidad. También tiene una función de ciclo predeterminada  que muestra cada uno de los tipos de datos durante 5 segundos antes de cambiar al siguiente.

Para bloquear la parte inferior de la pantalla en una visualización de datos específica, presione el botón "Enter/Display" (Intro/Visualizar) hasta que se muestre la etiqueta de los datos que desea ver. Para regresar al ciclo de datos, presione el botón "Enter/Display" hasta que se muestren dos flechas.

Teclas "Arriba" y "Abajo":

Presione las teclas "Arriba" y "Abajo" para aumentar o disminuir el valor de los ajustes: Resistencia o tiempo.

En modo de ejercicio, las teclas de flechas "Arriba" y "Abajo" ajustan la resistencia en pasos de 1. Si mantiene presionadas las teclas de flecha más de medio segundo, el rango de resistencia aumenta o disminuye en pasos de 5 hasta que las libere.

FUNCIONAMIENTO DE LA CONSOLA 5.0IC

Configuración Manual:

Presione el botón "Start/Stop" (Comenzar/Detener) para empezar un entrenamiento manual rápido. En este modo, la resistencia comenzará en 0 y el temporizador se incrementará desde 0 segundos.

Personalizar el Entrenamiento:

Presione el botón "Enter/Display" hasta que el tiempo parpadee. Use las teclas de flecha "Arriba" o "Abajo" para ajustar el tiempo de entrenamiento deseado y luego presione el botón "Enter/Display" para confirmar el valor. Una vez confirmado, el rango de la resistencia inicial comenzará a parpadear. Ajuste la resistencia deseada con las teclas de flecha "Arriba" o "Abajo" y confirme con el botón "Enter/Display". Presione "Start" (Comenzar) para empezar el entrenamiento con el tiempo y resistencia deseados.

Una vez que comienza el programa personalizado, el temporizador disminuirá desde el tiempo deseado y la resistencia comenzará en la que seleccionó. Durante el entrenamiento puede ajustar la resistencia en diferentes valores.

Ahorrador de Energía:

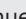
Para reducir al máximo el consumo de energía, la máquina entrará automáticamente en modo de ahorro de energía cuando no se usa. La consola se reactivará rápidamente al tocar cualquier botón.



COMO CAMBIAR ENTRE EL MODO FRECUENCIA CARDÍACA POR APLICACIÓN Y POR BLUETOOTH

Inicio - P1

Conectarse a una aplicación (modo predeterminado)

Si usa una aplicación de terceros, active el Bluetooth (BT) del dispositivo y siga las instrucciones de la aplicación para emparejar. Asegúrese de que la consola de la bicicleta no esté conectada a otros dispositivos Bluetooth revisando que el símbolo de Bluetooth  no se muestre en la consola.

Si desea usar una banda de frecuencia cardiaca Bluetooth con una aplicación de terceros compatible, conecte la banda de frecuencia cardiaca desde la interfaz de la aplicación (siga las instrucciones en la aplicación para encontrar y conectar la banda de frecuencia cardiaca).

Siga las instrucciones en la aplicación de terceros para iniciar el programa. Para algunas es necesario comenzar desde la aplicación, otras necesitan que primero presione el botón **Start** (Comenzar) en la consola.

Para detener el entrenamiento, termine el trayecto en la aplicación y presione el botón **Stop** (Detener) en la consola durante 3 segundos.

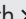
HORIZON SISTEMA DE FITNESS CONECTADO

Su máquina Horizon está preparada para Bluetooth, lo que le permite usar la tecnología Bluetooth 4.0 para conectar de forma inalámbrica su dispositivo y otras aplicaciones a su caminadora Horizon. Para obtener una lista completa de aplicaciones de fitness de terceros compatibles con su caminadora Horizon, siga el enlace a continuación:


<http://horizonfit.co/5.0ic>



Conectar una banda de frecuencia cardiaca (desactivado de manera predeterminada)

Para acceder al **modo de banda de frecuencia cardiaca**, asegúrese de que la consola no esté conectada a otros dispositivos Bluetooth revisando que el símbolo de Bluetooth  no se muestre en la consola.

Colóquese la banda de frecuencia cardiaca y asegúrese de leer las instrucciones de la banda. **Nota:** Algunas bandas de frecuencia cardiaca para pecho deben humedecerse para obtener una lectura de frecuencia cardiaca precisa.

Mantenga presionado el botón Bluetooth unos segundos hasta que se muestre el símbolo "HR MODE" (Modo Bluetooth) en la esquina derecha de la pantalla LCD. Una vez que la consola detecte la banda de frecuencia cardiaca Bluetooth, el símbolo de Bluetooth  se mostrará en la pantalla LCD.

Al presionar "**Start**" para comenzar el entrenamiento, la consola debe mostrar la frecuencia cardiaca.

Para salir del modo de banda de frecuencia cardiaca, desconecte el dispositivo de frecuencia cardiaca Bluetooth y asegúrese de que el símbolo de Bluetooth desaparezca de la pantalla. Luego mantenga presionado el botón Bluetooth algunos segundos hasta que "HR MODE" desaparezca de la pantalla LCD. **NOTA:** la consola puede tardar algunos segundos en desconectar el Bluetooth.



RESOLUCIÓN DE PROBLEMAS Y MANTENIMIENTO



PREGUNTAS COMUNES DEL PRODUCTO

¿SON NORMALES LOS SONIDOS QUE HACE MI BICICLETA FIJA?

Nuestras bicicletas fijas son unas de las más silenciosas del mercado, porque utilizan transmisión de banda y resistencia mediante frenos magnéticos. Utilizamos cojinetes, cadenas y bandas de la más alta calidad para minimizar el ruido. Sin embargo, debido a que el sistema de resistencia es tan silencioso, ocasionalmente escuchará otros ruidos mecánicos suaves. Al contrario de las que tienen tecnologías más antiguas y ruidosas, nuestras bicicletas fijas no tienen ventiladores, bandas de fricción o ruidos de alternador que oculten estos sonidos. Estos ruidos mecánicos, que pueden o no ser intermitentes, son normales y pueden ser ocasionados por la transferencia de cantidades significativas de energía al volante que gira rápidamente. Todos los cojinetes, cadenas, bandas y otras partes rotativas generan ciertos sonidos que se transmiten mediante la carcasa y el armazón. Es normal que estos sonidos cambien un poco durante el entrenamiento y con el tiempo, debido a la expansión térmica de las piezas.

¿POR QUÉ LA BICICLETA FIJA QUE ME ENTREGARON ES MÁS RUIDOSA EN COMPARACIÓN CON LA DE LA TIENDA?

Todos los productos de estado físico parecen más silenciosos en las salas de ventas de las tiendas grandes, porque generalmente en ellas hay más ruido ambiente que en su casa. También, un piso de concreto alfombrado produce menos reverberación que un piso de madera sobrepuesta. En ocasiones, un tapete de caucho grueso ayuda a reducir la reverberación del piso. El ruido se refleja más cuando el producto de estado físico se coloca cerca de una pared.

¿CUÁNTO DURA LA BANDA?

El modelamiento computarizado que realizamos nos indica que ofrece virtualmente miles de horas sin mantenimiento. No debería tener que reemplazar la banda durante el tiempo que tenga la bicicleta fija.

UNA VEZ ENSAMBLADA, ¿PUEDO MOVER LA BICICLETA FIJA FÁCILMENTE?

La bicicleta fija tiene dos ruedas de transporte incorporadas en el tubo del estabilizador delantero. Para transportar la bicicleta fija, consulte la sección "Cómo mover la bicicleta fija". Es importante que coloque la bicicleta fija en una habitación cómoda y acogedora. La bicicleta fija está diseñada para ocupar el mínimo espacio en el piso. Algunas personas prefieren colocar las bicicletas fijas orientadas hacia un televisor o ventana. Si es posible, evite colocar la bicicleta fija en un sótano sin terminar. Para que el ejercicio sea una actividad deseable para usted, la bicicleta fija debe estar en un entorno cómodo.



RESOLUCIÓN DE PROBLEMAS

PROBLEMA: La bicicleta fija hace ruidos de chillido o gorgojeo.

SOLUCIÓN: Compruebe lo siguiente:

- Que la bicicleta fija esté sobre una superficie nivelada.
- Afloje todos los pernos colocados durante el proceso de ensamblaje, engrase las roscas y apriete de nuevo.

Si esto no soluciona el problema,
COMUNÍQUESE CON ASISTENCIA TÉCNICA AL CLIENTE AL NÚMERO DE TELÉFONO QUE ENCUENTRA EN LA CONTRAPORTADA.

Cuando llame, le pedirán la siguiente información. Tenga esta información a la mano:

- Nombre del modelo
- Número de serie
- Prueba de compra (recibo o extracto de la tarjeta de crédito)

En la sección de asistencia para el cliente de nuestro sitio web encuentra más sugerencias para solucionar problemas. Comuníquese con asistencia al cliente usando la información que encuentra en la CONTRAPORTADA.

Para solicitar a Asistencia Técnica al Cliente que preste servicio a su bicicleta fija, le harán preguntas más detalladas sobre los síntomas que tiene. Algunas de las preguntas que pueden hacerle son:

- ¿Hace cuánto tiempo ocurre el problema?
- ¿El problema ocurre siempre que la usa? ¿Le sucede a todos los usuarios?
- Si escucha un ruido, ¿proviene de la parte delantera o la trasera? ¿Qué tipo de ruido es (golpeteo, rechinamiento, chillido, gorgojeo, etc.)?
- ¿La máquina se ha lubricado y mantenido de acuerdo al programa de mantenimiento?

¡Responder estas y otras preguntas permitirá que los técnicos puedan enviar las piezas de recambio correctas y el servicio necesario para que su bicicleta fija funcione de nuevo!



MANTENIMIENTO

¿Qué tipo de mantenimiento de rutina se necesita?

Se necesita mantenimiento y limpieza mínimos. Utilizamos cojinetes sellados en todas nuestras bicicletas, por lo que no hay necesidad de lubricarlas. El paso más importante del mantenimiento es simplemente limpiar su transpiración de la bicicleta luego de cada uso.

¿Cómo limpio la bicicleta?

Límpiala únicamente con limpiadores de agua y jabón suave. Nunca use solventes sobre las partes plásticas. La limpieza de la bicicleta y del ambiente donde funciona mantendrá al mínimo los problemas de mantenimiento y las llamadas de servicio. Por esta razón, recomendamos utilizar el siguiente programa de mantenimiento preventivo.

PROGRAMA DE MANTENIMIENTO

DESPUÉS DE CADA USO

Limpie la bicicleta fija usando paños suaves, toallas desechables u otra solución suave (los agentes limpiadores no deben tener alcohol ni amoníaco). Desinfecte el asiento y los manubrios, y limpie todos los residuos corporales.

ANTES DE CADA USO

Asegúrese de que la bicicleta fija esté nivelada y que no se balancee. Asegúrese de que los pedales estén bien apretados en las bielas y que no estén trasroscados, que todos los tornillos de los pedales estén apretados y que las bandas de los pedales no estén desgastadas.

QUINCENALMENTE

Pruebe el freno de emergencia para asegurarse de que funcione correctamente. Para hacerlo, mantenga hacia abajo la palanca roja del freno de emergencia mientras pedalea. Si funciona correctamente, debe desacelerar el volante inmediatamente, hasta que se detenga completamente.

MENSUALMENTE

Compruebe que todos los pernos del ensamblaje y pedales de la máquina estén apretados correctamente.

Seguir este programa prolongará la vida útil de la máquina.



GARANTÍA LIMITADA PARA USO DOMÉSTICO



CAPACIDAD DE PESO = 136 kilogramos (300 lb)

ARMAZÓN • DE POR VIDA

El fabricante garantiza el armazón contra defectos de mano de obra y materiales durante el periodo especificado anteriormente, a partir de la fecha de la compra, siempre que el dispositivo continúe siendo propiedad del comprador original. (Armazón se define como la base de metal soldado de la unidad, y no incluye ninguna de las partes que se pueden quitar).

ELECTRÓNICA Y PIEZAS • 1 AÑO

El fabricante garantiza los componentes electrónicos, el acabado y todas las piezas originales durante un periodo de un año, a partir de la fecha de la compra original, siempre que el dispositivo continúe siendo propiedad del comprador original.

MANO DE OBRA • 1 AÑO

El fabricante cubrirá los costos de mano de obra para la reparación del dispositivo durante un periodo de un año a partir de la fecha de compra original, siempre que el dispositivo continúe siendo propiedad del comprador original.

EXCLUSIONES Y LIMITACIONES

Quién está cubierto:

- El propietario original, y no es transferible.

Lo que está cubierto:

- La reparación o reemplazo de motores, componentes electrónicos o piezas defectuosas será la única reparación que ofrece la garantía.

Lo que NO está cubierto:

- Desgaste normal; ensamblaje o mantenimiento incorrecto; o instalación de piezas o accesorios que no están destinados originalmente a usarse con la máquina, o que no son compatibles con el equipo tal como se vendió.
- Daños o fallas debidas a accidentes, abuso, corrosión, decoloración de pintura o plástico, descuido, robo, vandalismo, incendio, inundación, viento, rayos, congelamiento u otros desastres naturales de cualquier tipo; reducción, fluctuación o fallas de potencia por cualquier causa; condiciones atmosféricas inusuales; colisión; introducción de objetos extraños en la unidad cubierta; o modificaciones no autorizadas o no recomendadas por el Fabricante.
- Daños incidentales o resultantes. El Fabricante no asume responsabilidad directa, indirecta, especial o resultante por daños; pérdidas económicas, de propiedad o utilidades; incapacidad de disfrute o uso; o cualquier otro perjuicio resultante de cualquier naturaleza en relación con la compra, uso, reparación o mantenimiento del equipo. El Fabricante no ofrece compensación monetaria ni de tipo



alguno por dichos costos de reparación o reemplazo, lo que incluye, entre otros, tarifas de membresía de gimnasios, tiempo de trabajo perdido, visitas de diagnóstico o mantenimiento, o transporte.

- Equipo usado para fines comerciales o cualquier uso diferente del uso por parte de una sola familia u hogar, a menos que el Fabricante acepte dicha cobertura.
- Equipo de propiedad u operado por fuera de EE. UU. y Canadá.
- Entrega, ensamblaje, instalación, configuración de unidades originales o de reemplazo, o la mano de obra y otros costos asociados a la remoción o reemplazo de la unidad cubierta.
- Cualquier intento de reparar este equipo crea un riesgo de lesiones. El Fabricante no se responsabiliza por ningún perjuicio, pérdida o responsabilidad que surja de lesiones personales sufridas durante el curso, o como resultado de, cualquier reparación o intento de reparación de su equipo de estado físico que sea realizado por personas diferentes a los técnicos de servicio autorizados. Todas las reparaciones que usted intente a su equipo de estado físico son A SU PROPIO RIESGO, y el Fabricante no será responsable por ninguna lesión personal o daño a la propiedad que sea consecuencia de dichas reparaciones.
- Si la garantía del Fabricante ya ha caducado, pero tiene una garantía extendida, consulte el contrato de garantía extendida para conocer la información de contacto relacionada con servicio o reparaciones bajo la garantía extendida.

SERVICIO Y DEVOLUCIONES

- El servicio a domicilio está disponible hasta a 150 millas del Proveedor de servicio autorizado más cercano (la distancia mayor a 150 millas del centro de servicio autorizado es responsabilidad del consumidor).
- Todas las devoluciones deben ser autorizadas previamente por el Fabricante.
- La obligación del Fabricante de conformidad con esta garantía se limita a reemplazar o reparar, a elección del Fabricante, el mismo modelo o uno comparable.
- El Fabricante puede solicitar que los componentes defectuosos sean regresados al Fabricante luego de terminar el servicio por garantía utilizando una etiqueta prepagada para enviar la devolución. Si le indicaron que debe devolver piezas y no recibió una etiqueta, comuníquese con Asistencia Técnica al Cliente.
- En ocasiones se pueden suministrar unidades de reemplazo, piezas y componentes electrónicos reacondicionados a su estado como nuevos por el Fabricante o sus proveedores, y esto constituye cumplimiento de los términos de la garantía.
- Esta garantía le da derechos legales específicos, y puede que sus derechos varíen de un estado a otro.



CUSTOMER TECH SUPPORT

DO NOT RETURN TO THE RETAILER

if you have any problems during assembly or if parts are missing.

For fast and friendly service, please contact one of our trained customer technicians via phone, email or our website.

We want to know if you have a problem and we want to have an opportunity to correct it for you.

Additional product information is available on our website.



ASSISTANCE TECHNIQUE

NE PAS RETOURNER L'APPAREIL AU DÉTAILLANT

en cas de difficulté lors de l'assemblage ou si des pièces manquent.

Pour obtenir un service rapide et utile, veuillez communiquer avec un de nos techniciens formés au soutien à la clientèle par téléphone, courriel ou notre site Web.

Si vous avez un problème, n'hésitez pas à nous contacter afin que nous puissions vous aider à le résoudre.

Des renseignements supplémentaires sur le produit sont disponibles sur notre site Web.



SERVICIO DE ASISTENCIA TÉCNICA PARA CLIENTES

NO DEVOLVER AL VENDEDOR

si tiene algún inconveniente durante el armado o si faltan piezas.

Para obtener un servicio rápido y grato, comuníquese con uno de nuestros técnicos capacitados para la atención de clientes vía teléfono, correo electrónico o nuestro sitio web.

Queremos saber si tiene un problema y queremos tener la oportunidad de corregirlo para usted.

En nuestro sitio web hay información adicional sobre el producto.



USA & CANADA:

1-855-396-2524

techsupport@horizonfitness.com

www.horizonfitness.com

For technical support, how-to videos and more, please visit:

Pour obtenir une assistance technique, des vidéos pratiques et plus encore, veuillez vous rendre sur le site:

Para obtener soporte técnico, videos instructivos y más, visite:

<https://horizonfit.co/support>

