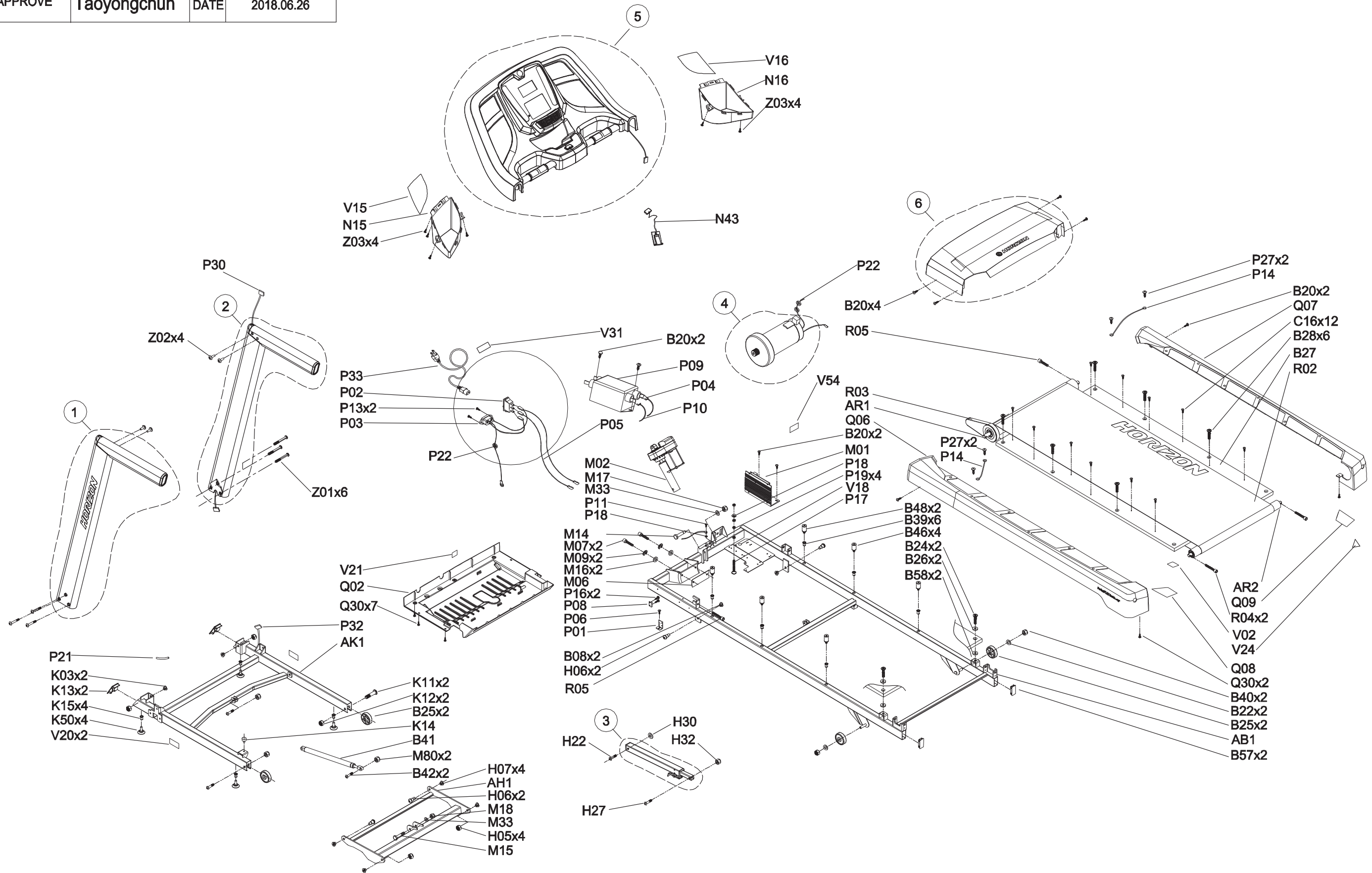
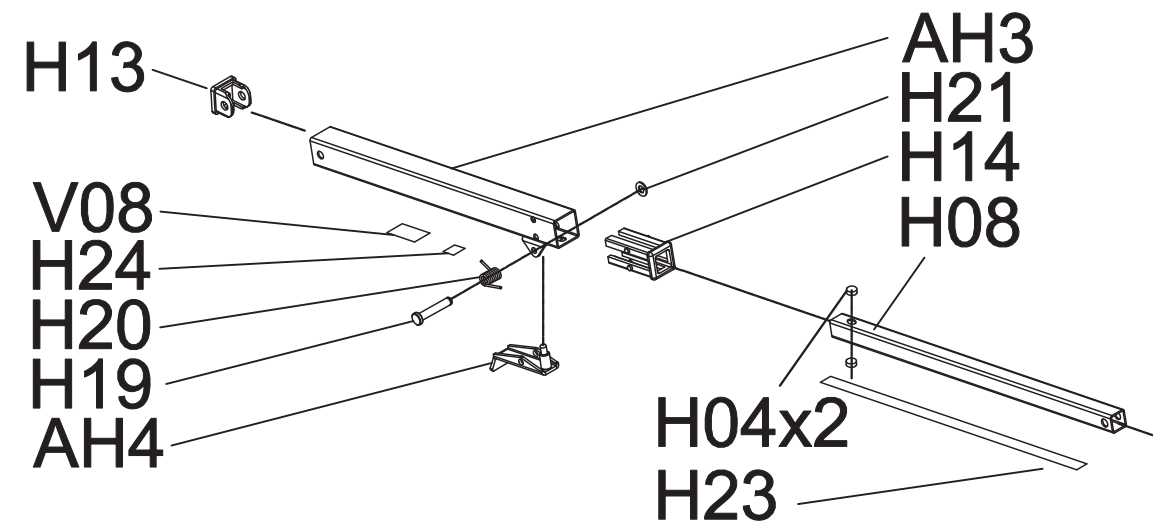


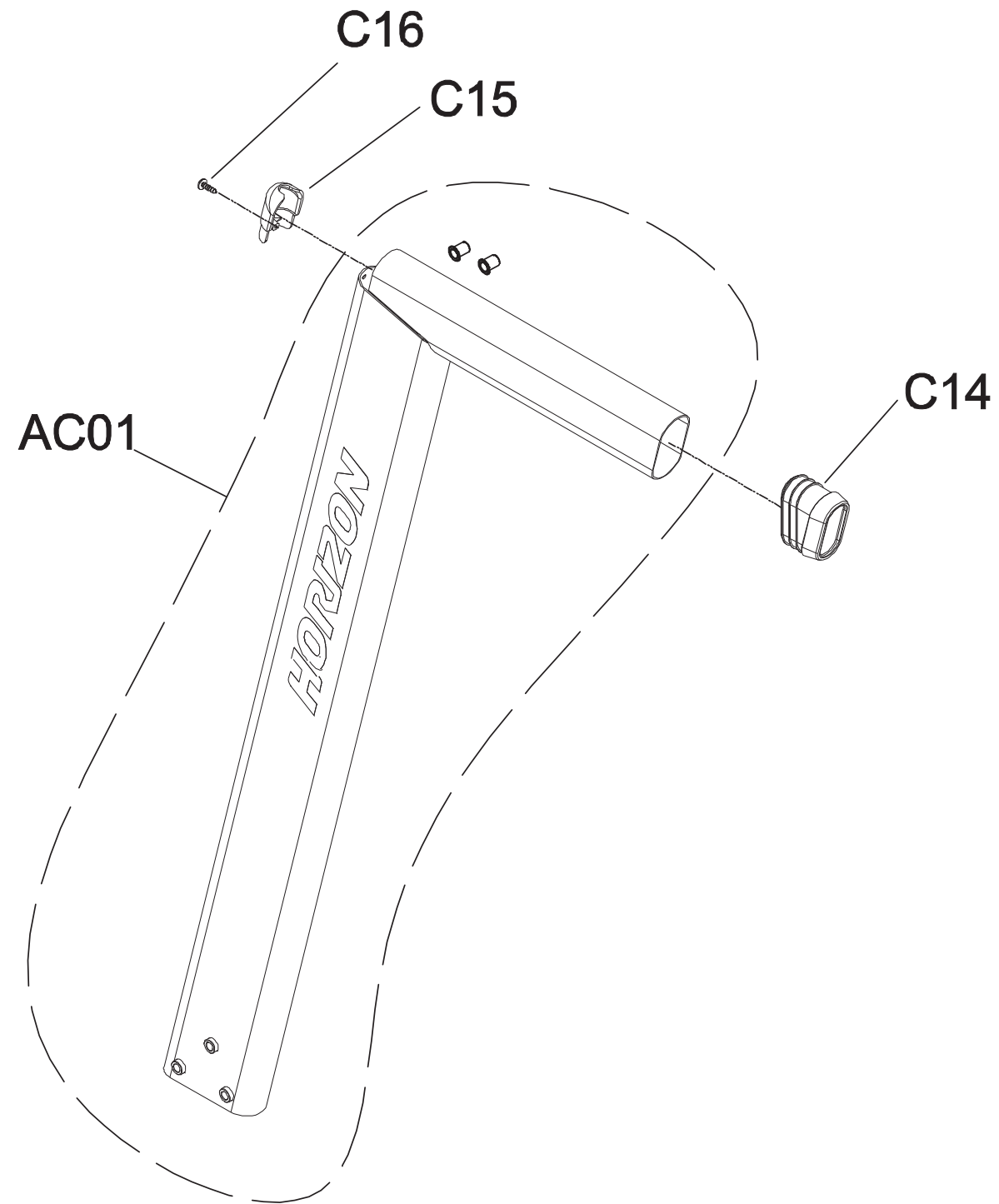
DRAWING NO	PTM684-1US		
PART NAME	ExpLOSIVE DRAWING		
PART NO	HTM0944-00	REV	D
APPROVE	Taoyongchun	DATE	2018.06.26



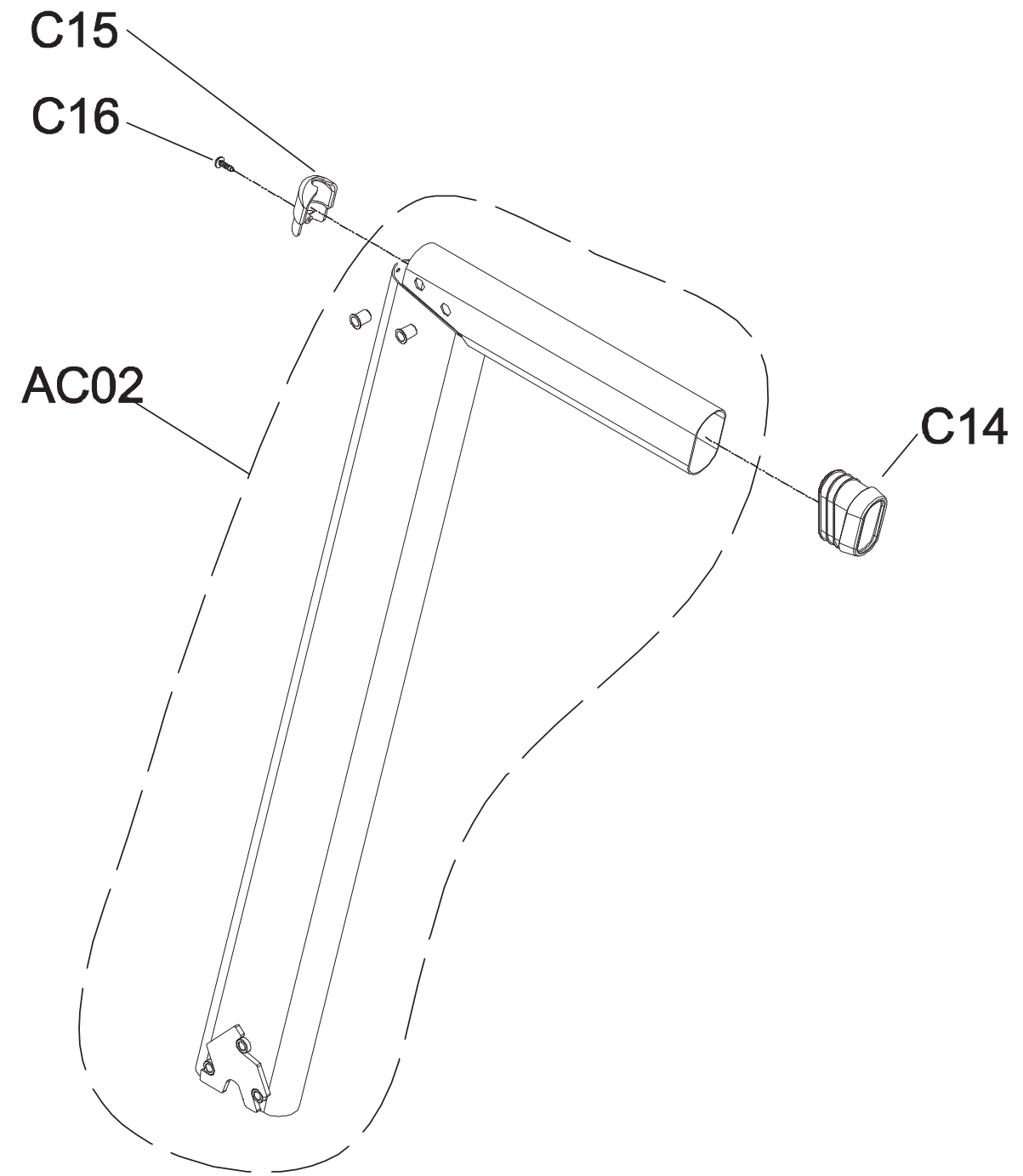
DRAWING NO	TM683-A09		
PART NAME	Sheath tube set		
PART NO	1000233224	REV	A
APPROVE	Lijingmei	DATE	2014.01.14




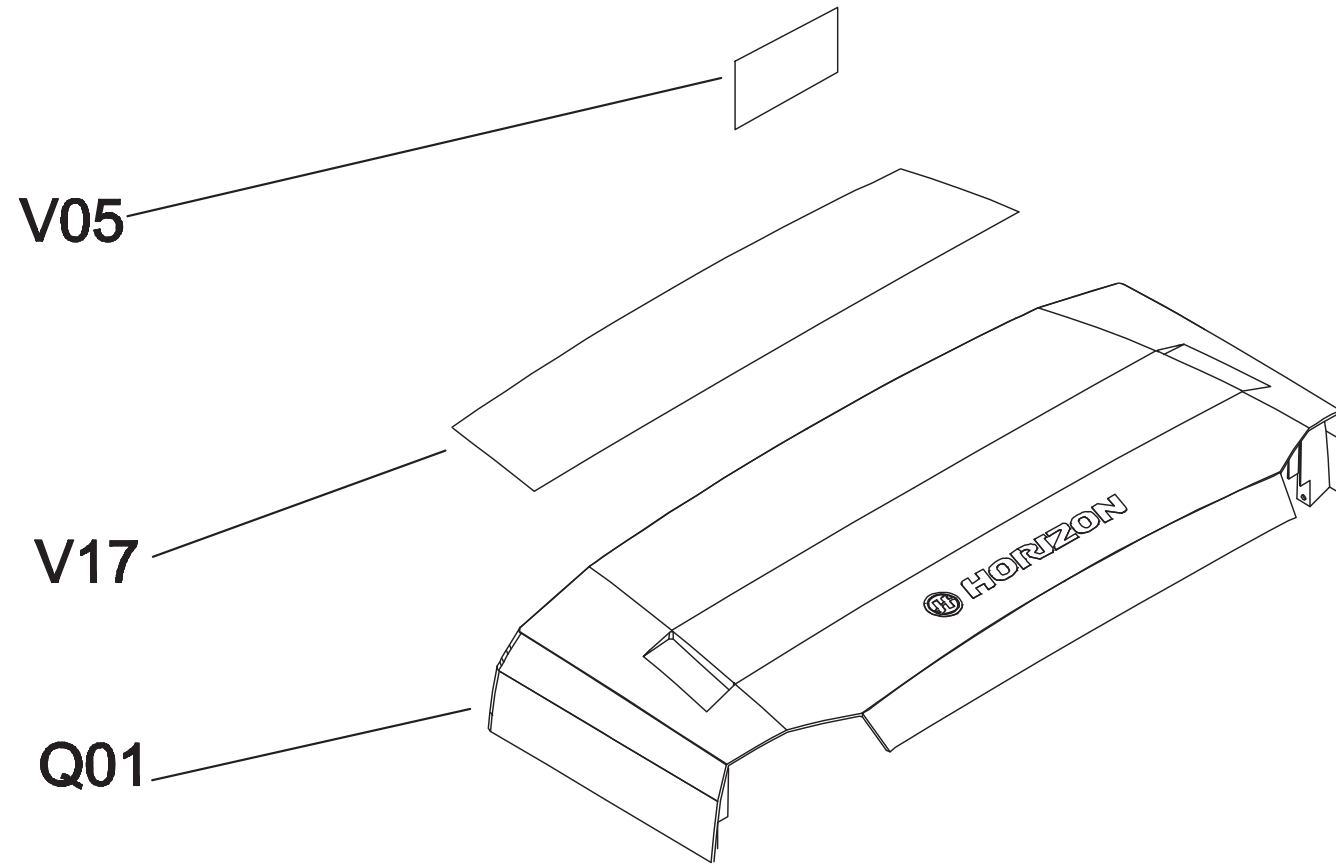
DRAWING NO	TM684-A10		
PART NAME	CONSOLE MAST SET; L		
PART NO	1000300451	REV	B
APPROVE	Zhengxuming	DATE	2013.02.21



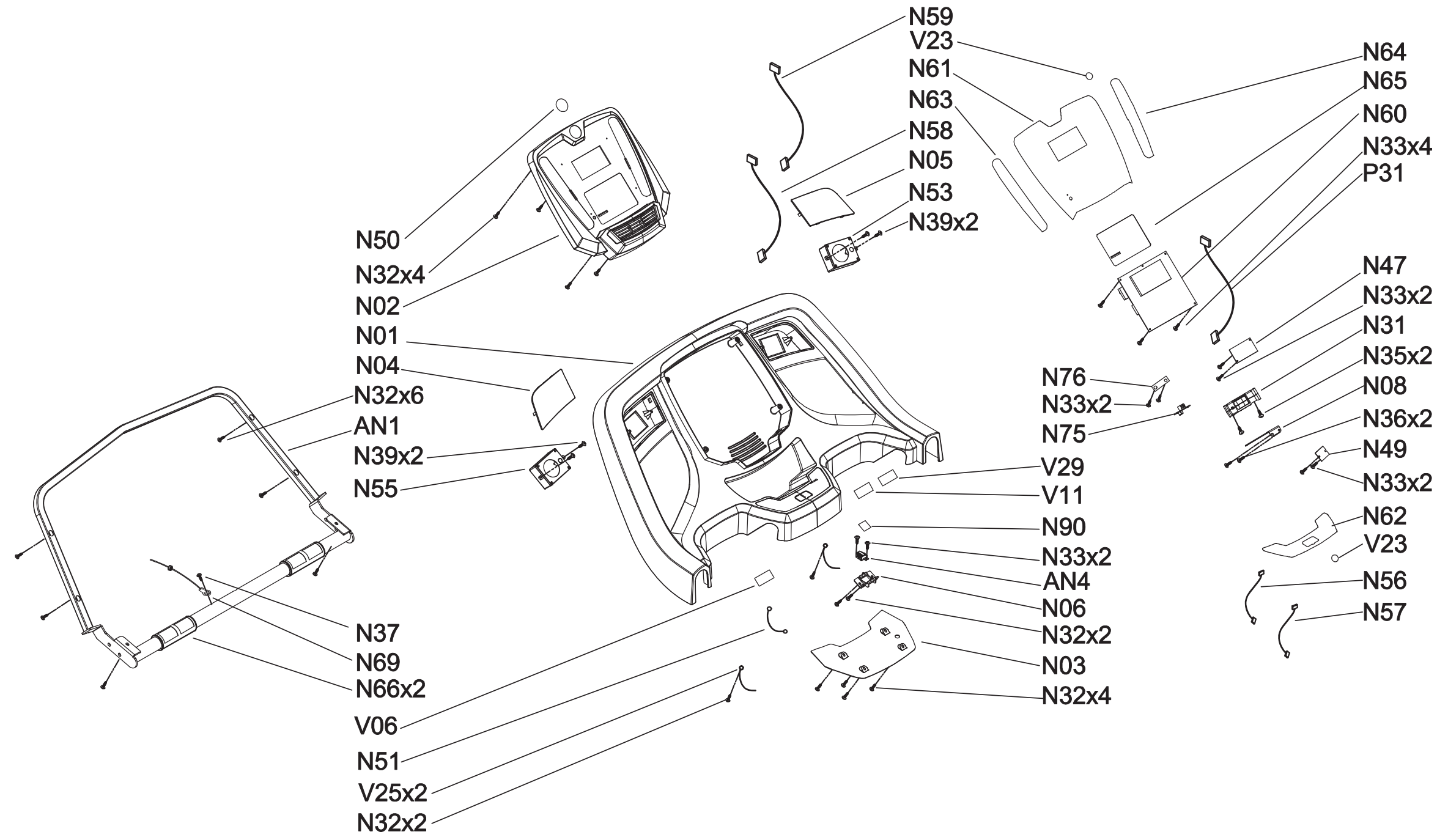
DRAWING NO	TM684-A11		
PART NAME	CONSOLE MAST SET; R		
PART NO	1000300452	REV	B
APPROVE	Zhengxuming	DATE	2015.09.11



DRAWING NO	TM684-A17		
PART NAME	Motor cover set		
PART NO	1000300797		A
APPROVE		DATE	2013.02.21



DRAWING NO	TM684-A18		
PART NAME	Console set		
PART NO	1000309086	REV	B
APPROVE	Lijingmei	DATE	2014.02.20



DRAWING NO	TM684-A15		
PART NAME	Motor Set		
PART NO	1000309087	REV	A
APPROVE	Lijingmei	DATE	2014.2.25

