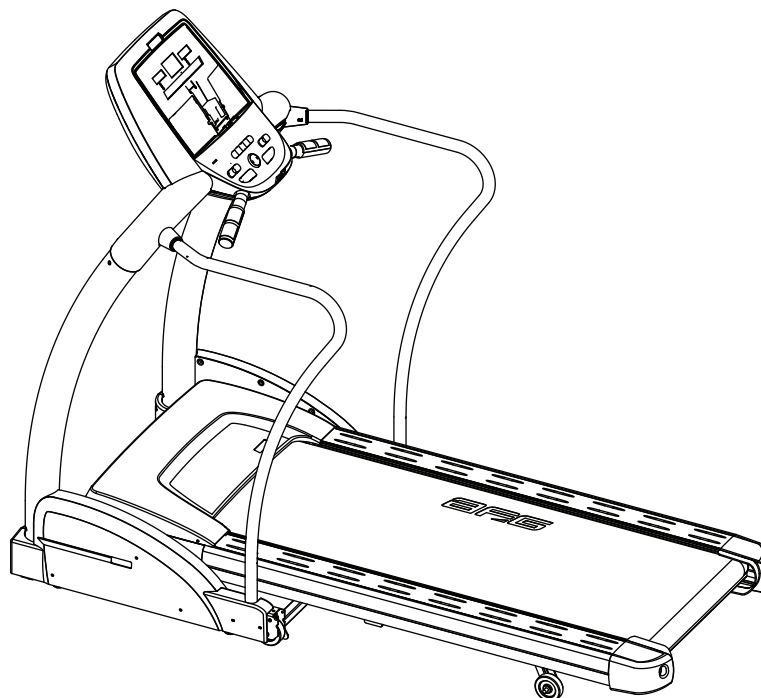


AFG SERIES



FOR MODEL :

5.0 AT



TREADMILL USER'S GUIDE

INTRODUCTION

CONGRATULATIONS and **THANK YOU** for your purchase of this AFG treadmill!

Whether your goal is to win races or simply enjoy a fuller, healthier lifestyle, a AFG treadmill can help you attain it – adding club-quality performance to your at-home workouts, with the ergonomics and innovative features you need to get stronger and healthier, faster. Because we're committed to designing fitness equipment from the inside out, we use only the highest quality components. It's a commitment we back with one of the strongest frame-to-motor warranty packages in the industry.

You want exercise equipment that offers the most comfort, the best reliability and the highest quality in its class.

AFG Treadmills deliver.

TABLE OF CONTENTS

<i>Important Precautions</i>	<i>4</i>
<i>Assembly</i>	<i>6</i>
<i>Before You Begin</i>	<i>14</i>
<i>Treadmill Operation</i>	<i>17</i>
<i>Conditioning Guidelines</i>	<i>29</i>
<i>Troubleshooting & Maintenance</i>	<i>35</i>
<i>Limited Warranty</i>	<i>38</i>
CONTACT INFORMATION	<i>Back Panel</i>

IMPORTANT PRECAUTIONS

SAVE THESE INSTRUCTIONS

Read all instructions before using this treadmill. When using an electrical product, basic precautions should always be followed, including the following: Read all instructions before using this treadmill. It is the responsibility of the owner to ensure that all users of this treadmill are adequately informed of all warnings and precautions. If you have any questions after reading this manual, contact Customer Tech Support at the number listed on the back panel of this manual.



Connect this exercise product to a properly grounded outlet only. See grounding instructions.

GROUNDING INSTRUCTIONS

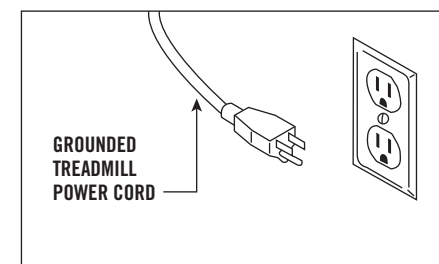
This product must be grounded. If a treadmill should malfunction or breakdown, grounding provides a path of least resistance for electrical current to reduce the risk of electrical shock. This product is equipped with a cord having an equipment-grounding conductor and a grounding plug. The plug must be plugged into an appropriate outlet that is properly installed and grounded in accordance with local codes and ordinances.



Improper connection of the equipment-grounding conductor can result in a risk of electric shock. Check with a qualified electrician or serviceman if you are in doubt as to whether the product is properly grounded. Do not modify the plug provided with the product. If it will not fit the outlet, have a proper outlet installed by a qualified electrician.

This product is for use on a nominal 110-volt circuit and has a grounding plug that looks like the illustration to the right. This product must be used on a dedicated circuit. To determine if you are on a dedicated circuit, shut off the power to that circuit and observe if any other devices lose power. If so, move devices to a different circuit. **Note:** There are usually multiple outlets on one circuit. It is recommended that the treadmill be used with a 20 amp circuit for optimal performance.

3-Pole Grounded Outlet



To reduce the risk of burns, fire, electrical shock or injury to persons:

- Never use the treadmill before securing the safety tether clip to your clothing.
- If you experience any kind of pain, including but not limited to chest pains, nausea, dizziness, or shortness of breath, stop exercising immediately and consult your physician before continuing.
- Do not wear clothes that might catch on any part of the treadmill.
- Always wear athletic shoes while using this equipment.
- Do not jump on the treadmill.
- Keep power cord away from heated surfaces.
- Do not insert or drop any object into any opening.
- Unplug treadmill before moving or cleaning it. To clean, wipe surfaces down with soap and slightly damp cloth only; never use solvents. (See MAINTENANCE)
- At no time should more than one person be on treadmill while in operation.
- The treadmill should not be used by persons weighing more than 400 pounds. Failure to comply will void the warranty.
- The treadmill is intended for in-home use only. Do not use this treadmill in any commercial, rental, school or institutional setting. Failure to comply will void the warranty.
- Do not use treadmill in any location that is not temperature controlled, such as but not limited to garages, porches, pool rooms, bathrooms, car ports or outdoors. Failure to comply may void the warranty.
- Use the treadmill only as described in this manual.



At NO time should pets or children under the age of 12 be closer to the treadmill than 10 feet. At NO time should children under the age of 12 use the treadmill. Children over the age of 12 should not use the treadmill without adult supervision.

OTHER SAFETY TIPS FOR YOUR TREADMILL



OPERATION

To reduce the risk of damaging important components on your treadmill, it is strongly recommended that your treadmill is plugged into a dedicated 20 amp circuit, without the use of an additional extension cord and/or power strip. Failure to comply may void the warranty.

IMPORTANT: The treadmill is not compatible with GFCI-equipped outlets.

It is essential that your treadmill is used only indoors, in a climate controlled room. If your treadmill has been exposed to colder temperatures or high moisture climates, it is strongly recommended that the treadmill is warmed up to room temperature before first time use. Failure to do so may cause premature electronic failure.

ASSEMBLY

IMPORTANT: READ THESE SAFETY INSTRUCTIONS BEFORE USE!



During the assembly process of the treadmill there are several areas that special attention must be paid. It is very important to follow the assembly instructions correctly and to make sure all parts are firmly tightened. If the assembly instructions are not followed correctly, the treadmill could have frame parts that are not tightened and will seem loose and may cause irritating noises. There should be no side-to-side play in the console masts or any forward and back play in the console assembly or handlebars. If there is any play in these areas, the treadmill has not been properly assembled. To prevent damage to the treadmill, the assembly instructions must be reviewed and corrective actions should be taken.

UNPACKING

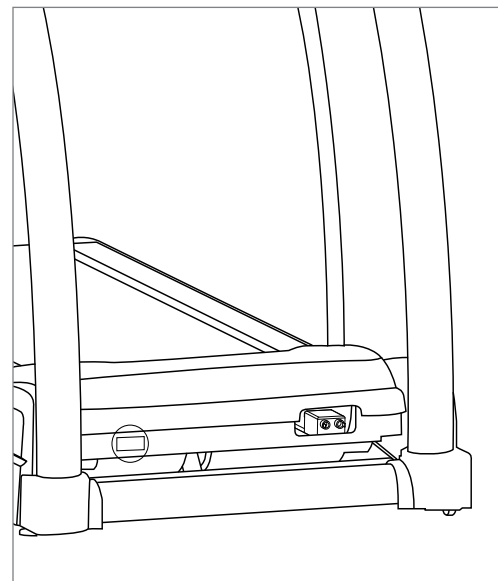
Place the treadmill carton on a level flat surface. It is recommended that you place a protective covering on your floor. Take CAUTION when handling and transporting this unit. Never open box when it is on its side. Once the banding straps have been removed, do not lift or transport this unit unless it is fully assembled and in the upright folded position, with the lock latch secure. Unpack the unit where it will be used. The enclosed treadmill is equipped with high-pressure shocks and may spring open if mishandled. Never grab hold of any portion of the incline frame and attempt to lift or move the treadmill. FAILURE TO FOLLOW THESE INSTRUCTIONS COULD RESULT IN INJURY!

Before proceeding, find your treadmill's serial number and model name located to the left of the on/off power switch and power cord and enter it in the space provided below.

ENTER YOUR SERIAL NUMBER AND MODEL NAME IN THE BOXES BELOW:

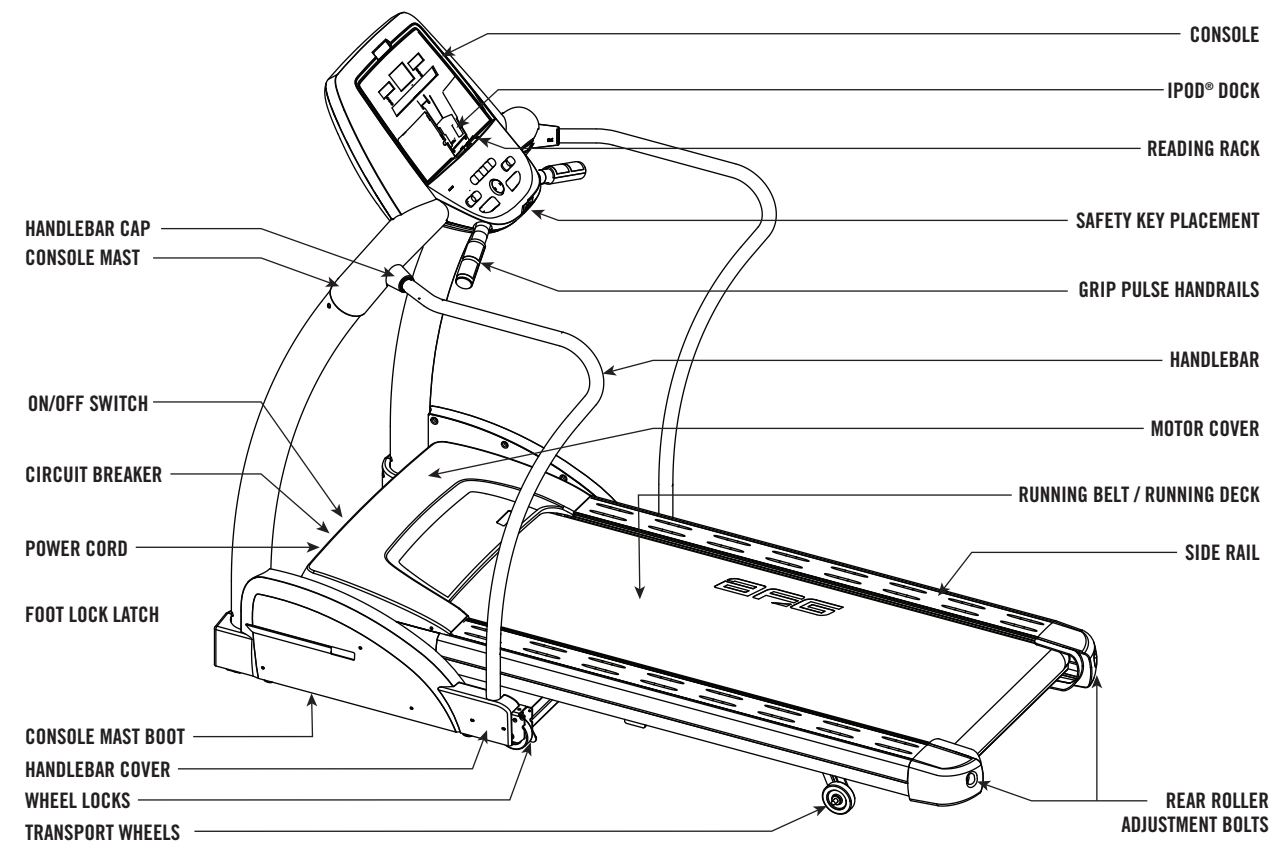
SERIAL NUMBER:

MODEL NAME:



* Refer to the SERIAL NUMBER and MODEL NAME when calling for service.

* Also enter this serial number on your Warranty Card.



TOOLS INCLUDED

- Screw Driver
- 5 mm T-Wrench
- 8 mm T-wrench

PARTS INCLUDED

- | | | |
|--------------------------------------------------------------|---------------------------------------------------------|-------------------------------------------------------|
| <input type="checkbox"/> 1 Safety Key | <input type="checkbox"/> 2 Handlebars | <input type="checkbox"/> 1 Water Bottle |
| <input type="checkbox"/> 1 Console Assembly | <input type="checkbox"/> 2 Handlebar Caps | <input type="checkbox"/> 1 Wireless Chest Transmitter |
| <input type="checkbox"/> 2 Console Masts | <input type="checkbox"/> 2 Handlebar Covers | |
| <input type="checkbox"/> 2 Console Mast Boots | <input type="checkbox"/> 5 Hardware Bags | |
| <input type="checkbox"/> 1 Power Cord | <input type="checkbox"/> 1 Audio Adaptor Cable | |
| <input type="checkbox"/> 3 iPod® Dock Inserts | <input type="checkbox"/> 1 Bottle of Silicone Lubricant | |
| <input type="checkbox"/> 1 iPod® Docking Station Rubber Plug | <input type="checkbox"/> 2 Console Mast Caps | |
| <input type="checkbox"/> 1 Universal MP3 Player Insert | <input type="checkbox"/> 2 Mast Rings | |

If you have questions or if there are any missing parts, contact Customer Tech Support. Contact information is located on the back panel of this manual.

For a complete exploded diagram, visit us at www.advancedfitnessgroup.com

PRE-ASSEMBLY

Disassemble box and remove the cardboard packaging that is not beneath the treadmill. Do not attempt to lift the treadmill at this time. Remove plastic wrap from console masts.

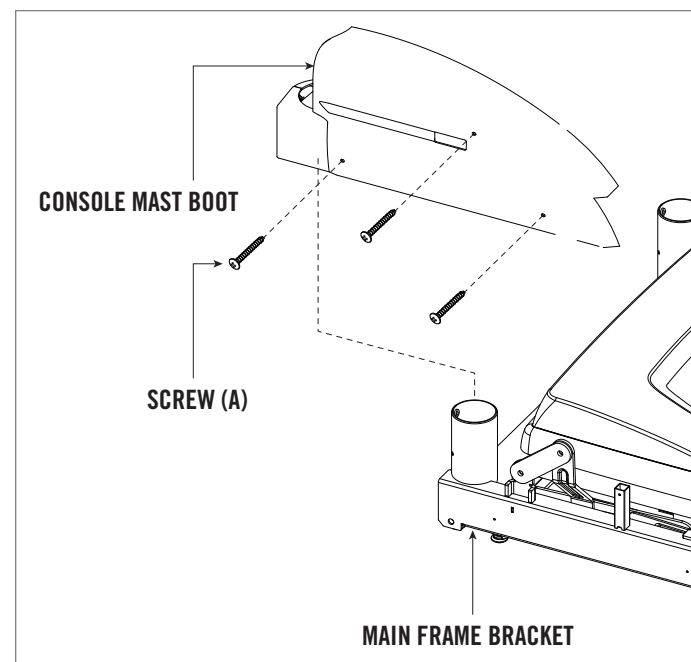
***NOTE:** During each assembly step, ensure that ALL nuts and bolts are in place and partially threaded in before completely tightening any ONE bolt. A light application of grease may aid in the installation of hardware. Any grease, such as lithium bike grease is recommended.

ASSEMBLY STEP 1

HARDWARE BAG 1 CONTENTS :



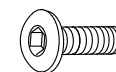
SCREW (A)
25 mm
Qty: 6



- A** Open **HARDWARE BAG 1**.
- B** Slide **LEFT CONSOLE MAST BOOT** over **MAIN FRAME BRACKET**.
- C** Insert 3 **SCREW (A)** on the bottom outside of the mast boot and secure.
- D** Repeat on other side.

ASSEMBLY STEP 2

HARDWARE BAG 2 CONTENTS :



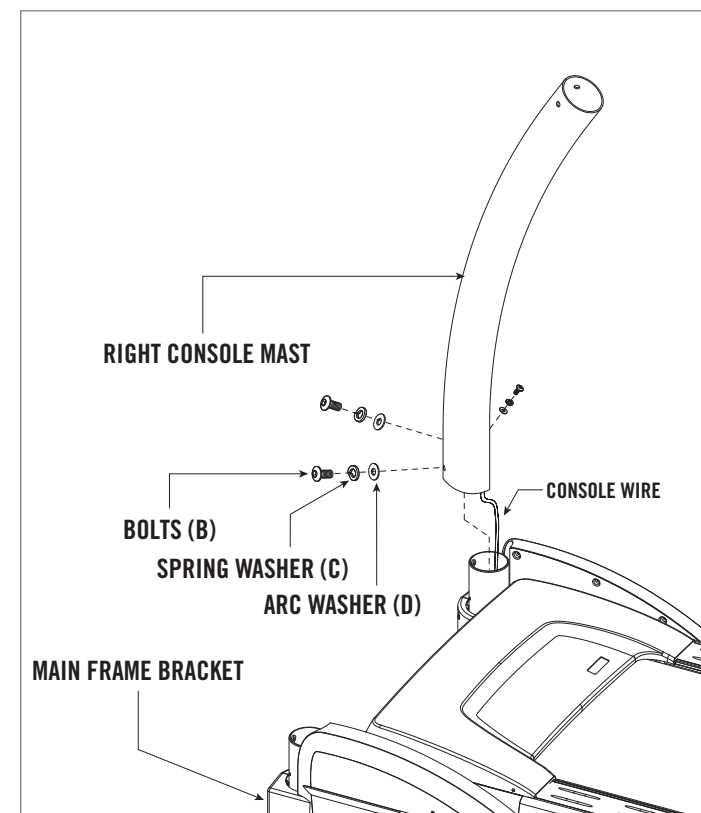
BOLT (B)
15 mm
Qty: 6



SPRING WASHER (C)
8.2 mm
Qty: 6



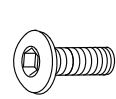
ARC WASHER (D)
8.4 mm
Qty: 6



- A** Pull **LEAD WIRE** through **RIGHT CONSOLE MAST**. After pulling the **LEAD WIRE** through the mast, the top of the **CONSOLE WIRE** should be located at the top of the mast. Detach and discard **LEAD WIRE**.
- B** Open **HARDWARE BAG 2**.
- C** Slide **RIGHT CONSOLE MAST** over **MAIN FRAME BRACKET**.
***Note:** Do not pinch **CONSOLE CABLES** when placing the mast onto the main frame.
- D** Insert 3 **BOLTS (B)** on the bottom outside of the mast and secure with 3 **SPRING WASHERS (C)** and 3 **ARC WASHERS (D)**.
- E** Repeat on other side.

ASSEMBLY STEP 3

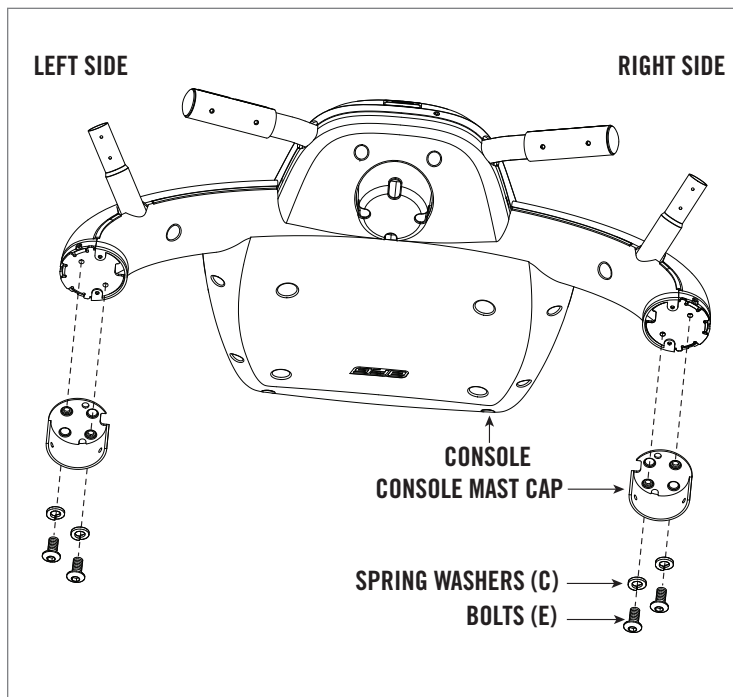
HARDWARE BAG 3 CONTENTS :



BOLT (E)
10 mm
Qty: 4



SPRING WASHER (C)
8.2 mm
Qty: 4

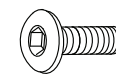


- A** Open **HARDWARE BAG 3**.
- B** Attach **CONSOLE MAST CAPS** onto the bottom of **CONSOLE** using 2 **BOLTS (E)** and 2 **SPRING WASHERS (C)**.
- C** Repeat on other side.

*Reminder: The console mast caps are marked with an **L** if they are to be used on the left-hand side of the treadmill or an **R** if they are to be used on the right-hand side of the treadmill. If the console mast caps are assembled on the incorrect side of the treadmill, the unit will not assemble correctly.*

ASSEMBLY STEP 4

HARDWARE BAG 4 CONTENTS :



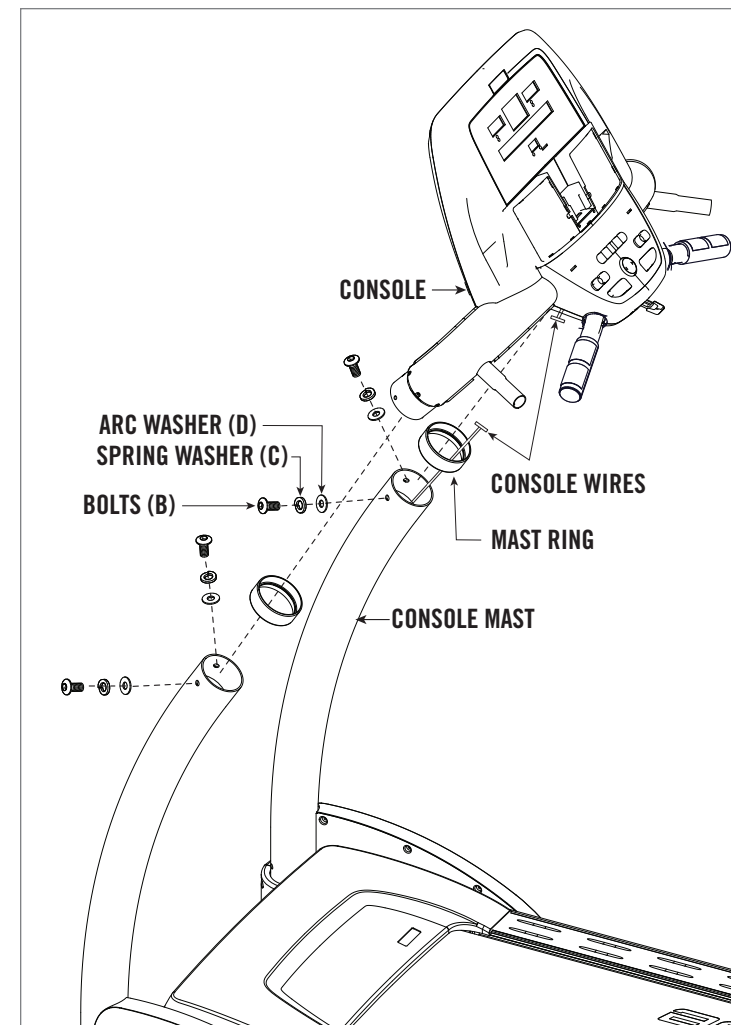
BOLT (B)
15 mm
Qty: 4



SPRING WASHER (C)
8.2 mm
Qty: 4



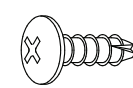
ARC WASHER (D)
8.4 mm
Qty: 4



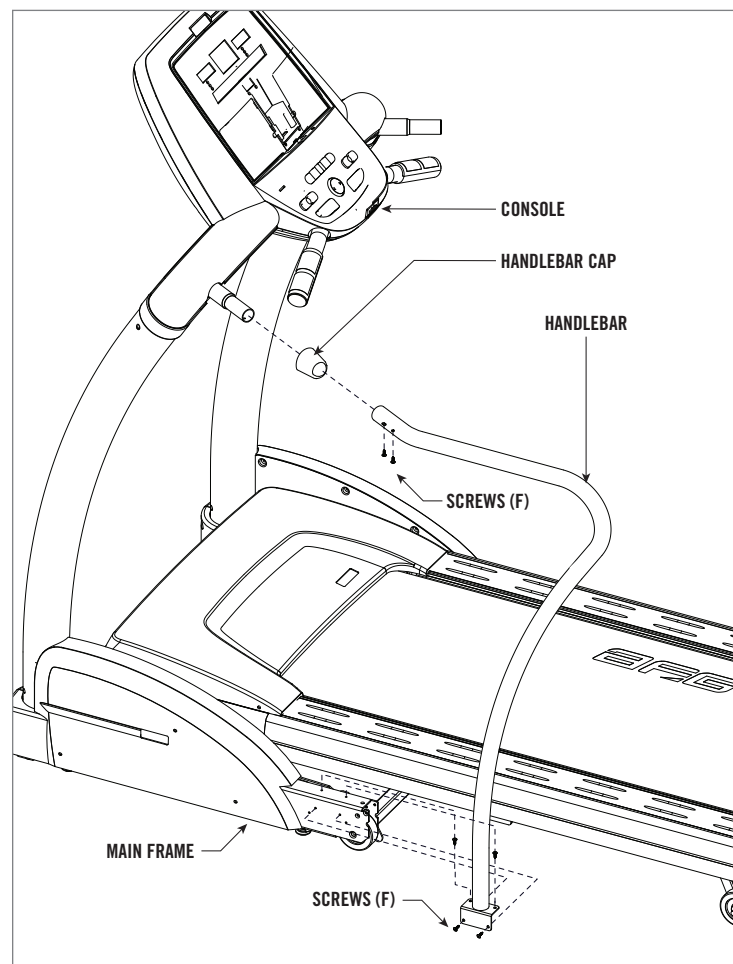
- A** Open **HARDWARE BAG 4**.
- B** Slide **CONSOLE** through **MAST RINGS**.
- *Note: Make sure the arrows on the **MAST RINGS** are pointing upward towards the **CONSOLE** when sliding into place.*
- C** Connect **CONSOLE WIRES**.
- *Note: Do not pinch **CONSOLE CABLES** when placing the console onto the mast.*
- D** Connect **CONSOLE** to **RIGHT CONSOLE MAST** using 2 **BOLTS (B)**, 2 **SPRING WASHERS (C)** and 2 **ARC WASHERS (D)**.
- E** Repeat on other side.

ASSEMBLY STEP 5

HARDWARE BAG 5 CONTENTS :



SCREW (F)
15 mm
Qty: 18

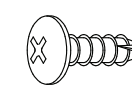


***NOTE:** The right handlebar side cap is marked with "R" on the side of the cap and the left handlebar side cap is marked with "L" on the side of the cap.

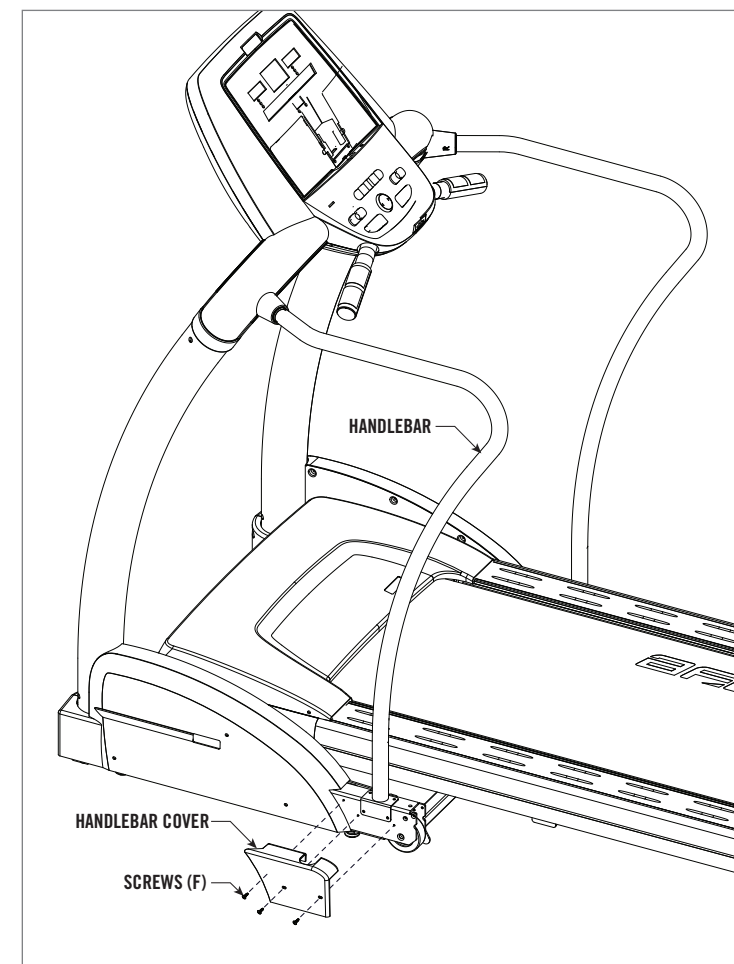
- A** Open **HARDWARE BAG 5**.
- B** Align **LEFT HANDLEBAR** with **CONSOLE** as shown.
- C** To attach the top of the **LEFT HANDLEBAR** to the **CONSOLE**, slide **HANDLEBAR CAP** through **HANDLEBAR** and place 2 **SCREWS (F)** into the side of the **LEFT HANDLEBAR** and tighten all screws completely.
- D** To attach **LEFT HANDLEBAR** to **MAIN FRAME**, place 2 **SCREWS (F)** through the side and 2 through the top of the frame and lightly tighten to the **MAIN FRAME**.
- E** Repeat on other side.

ASSEMBLY STEP 6

HARDWARE BAG 5 CONTENTS :



SCREW (F)
15 mm
Qty: 18



- A** Continue using **HARDWARE BAG 5**.
- B** Attach **HANDLEBAR COVER** to **LEFT HANDLEBAR** using 3 **SCREWS (E)**.
- C** Repeat on other side.

ASSEMBLY COMPLETE!

BEFORE YOU BEGIN

CONGRATULATIONS! on choosing your treadmill. You've taken an important step in developing and sustaining an exercise program! Your treadmill is a tremendously effective tool for achieving your personal fitness goals. Regular use of your treadmill can improve the quality of your life in so many ways.

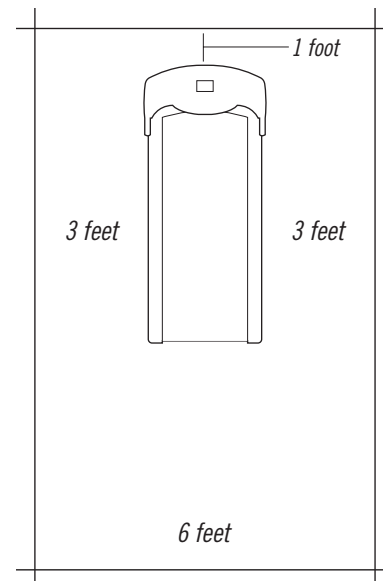
HERE ARE JUST A FEW OF THE HEALTH BENEFITS OF EXERCISE:

- Weight Loss
- A Healthier Heart
- Improved Muscle Tone
- Increased Daily Energy Levels

The key to reaping these benefits is to develop an exercise habit. Your new treadmill will help you eliminate obstacles that prevent you from exercising. Inclement weather and darkness won't interfere with your workout when you use your treadmill in the comfort of your home. This guide provides you with basic information for using and enjoying your new machine.

LOCATION OF THE TREADMILL

Place the treadmill on a level surface. There should be 6 feet of clearance behind the treadmill, 3 feet on each side and one foot in front for folding and the power cord. Do not place the treadmill in any area that will block any vent or air openings. The treadmill should not be located in a garage, covered patio, near water or outdoors.



LEVELING

The treadmill should be level for optimum use. Once you have placed the treadmill where you intend to use it, raise or lower the adjustable levelers located on the treadmill base frame. Once you have leveled the treadmill, lock the levelers in place by tightening the nuts against the frame. To assure the treadmill is level, a carpenter's level is recommended.

SAFETY KEY

Your treadmill will not start unless the safety key is placed in position. Attach the clip end securely to your clothing. This safety key is designed to cut the power to the treadmill if you should fall. Check the operation of the safety key before every use.



NEVER USE THE TREADMILL WITHOUT SECURING THE SAFETY KEY CLIP TO YOUR CLOTHING. PULL ON THE SAFETY KEY CLIP FIRST TO MAKE SURE IT WILL NOT COME OFF YOUR CLOTHING.



DO NOT STAND ON THE BELT

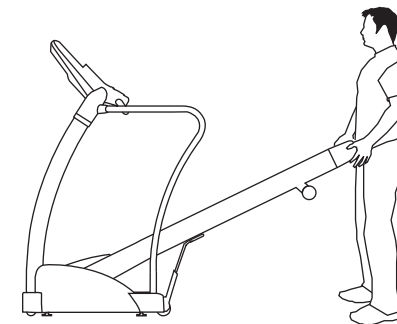
While you are preparing to use the treadmill, do not stand on the belt. Place your feet on the side rails before starting the treadmill. Start walking on the belt only after the belt has begun to move. Never start the treadmill at a fast running speed and attempt to jump on!

PROPER USAGE

Your treadmill is capable of reaching high speeds. Always start off using a slower speed and adjust the speed in small increments to reach a higher speed level. Never leave the treadmill unattended while it is running. When not in use, remove the safety key and keep out of reach of children, turn the on/off switch to off and unplug the power cord. Make sure to follow the MAINTENANCE schedule located in this manual. Keep your body and head facing forward. Do not attempt to turn around or look backwards while the treadmill is running. Stop your workout immediately if you feel pain, faint, dizzy or are short of breath.



Do not operate the treadmill if the power cord or plug is damaged. If the treadmill appears to not be working properly, do not use the treadmill.



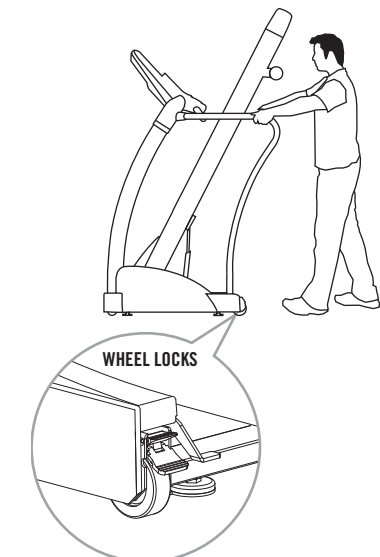
FOLDING

Firmly grasp the back end of the treadmill. Carefully lift the end of the treadmill deck into the upright position until the foot lock latch engages and securely locks the deck into position. Make sure the deck is securely latched before letting go. To unfold, firmly grasp the back end of the treadmill. Gently press down on the foot lock latch with your foot until the lock latch disengages. Carefully lower the deck to the ground.

MOVING

Your treadmill has transport wheels built into the frame. To move, make sure the treadmill is folded and securely latched. To unlock wheels, push down on the top lever of the rear wheel locks located on the rear corners of the base frame. Then firmly grasp the handlebars, and slowly move the treadmill. After moving to the desired location, push down on the bottom lever of the rear wheel locks to lock the rear wheels.

NOTE: Both rear wheel locks **MUST** be locked before using the treadmill.



Our treadmills are heavy, use care and additional help if necessary when moving. Do not attempt to move or transport treadmill unless it is in the upright, folded position with the lock latch secured. Do not attempt to disassemble machine and transport. Failure to follow these instructions could result in injury.

POWER

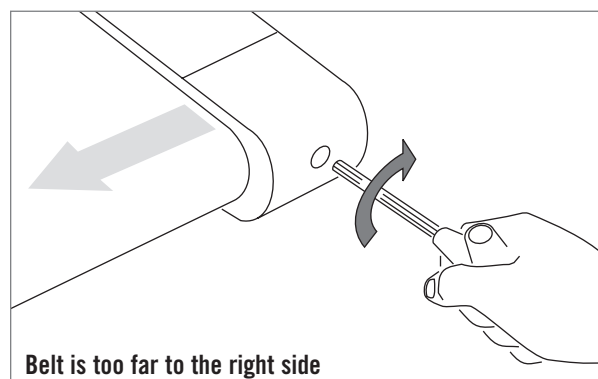
The power cord must be plugged into the power jack, which is located in the front of the machine below the MOTOR COVER. Make sure the power switch is in the ON position. After use, the power switch should be turned to the OFF position.

TENSIONING THE RUNNING BELT

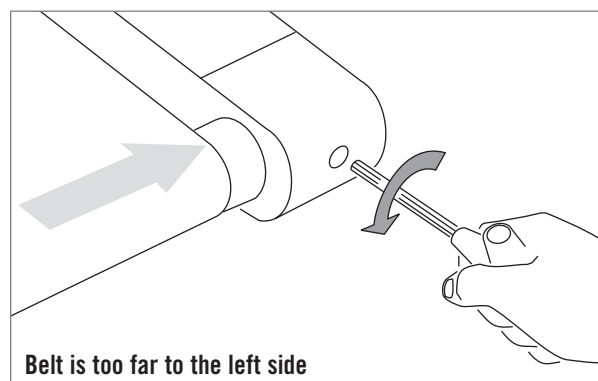
The running belt has been properly adjusted at the factory before it was shipped. At times the belt can move off-center during shipment.

CAUTION: Running belt should NOT be moving during tensioning. Over-tightening the running belt can cause excessive wear on the treadmill as well as its components. Never over-tighten the belt.

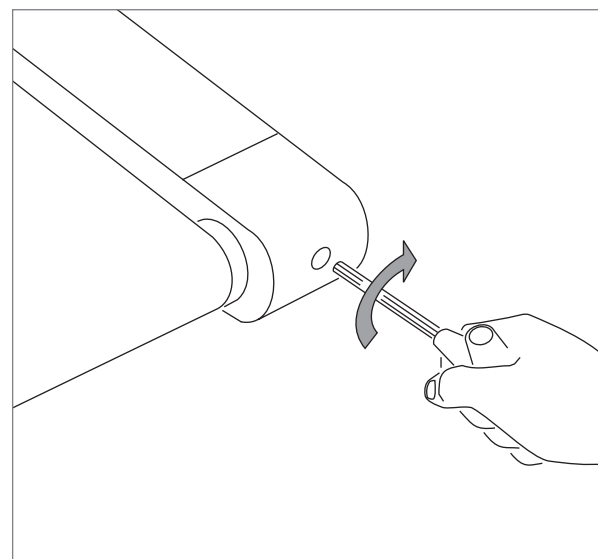
If you can feel a slipping sensation when running on the treadmill, the running belt must be tightened. In most cases, the belt has stretched from use, causing the belt to slip. This is a normal and common adjustment. To eliminate this slipping, **TURN THE TREADMILL OFF** and tension **BOTH THE REAR ROLLER BOLTS** using the supplied allen wrench, turning them 1/4 TURN to the right as shown. Turn the treadmill on and check for slipping. Repeat if necessary, but **NEVER TURN** the roller bolts more than 1/4 turn at a time. Belt is properly tensioned when the slipping sensation is gone.



Belt is too far to the right side



Belt is too far to the left side



CENTERING THE RUNNING BELT

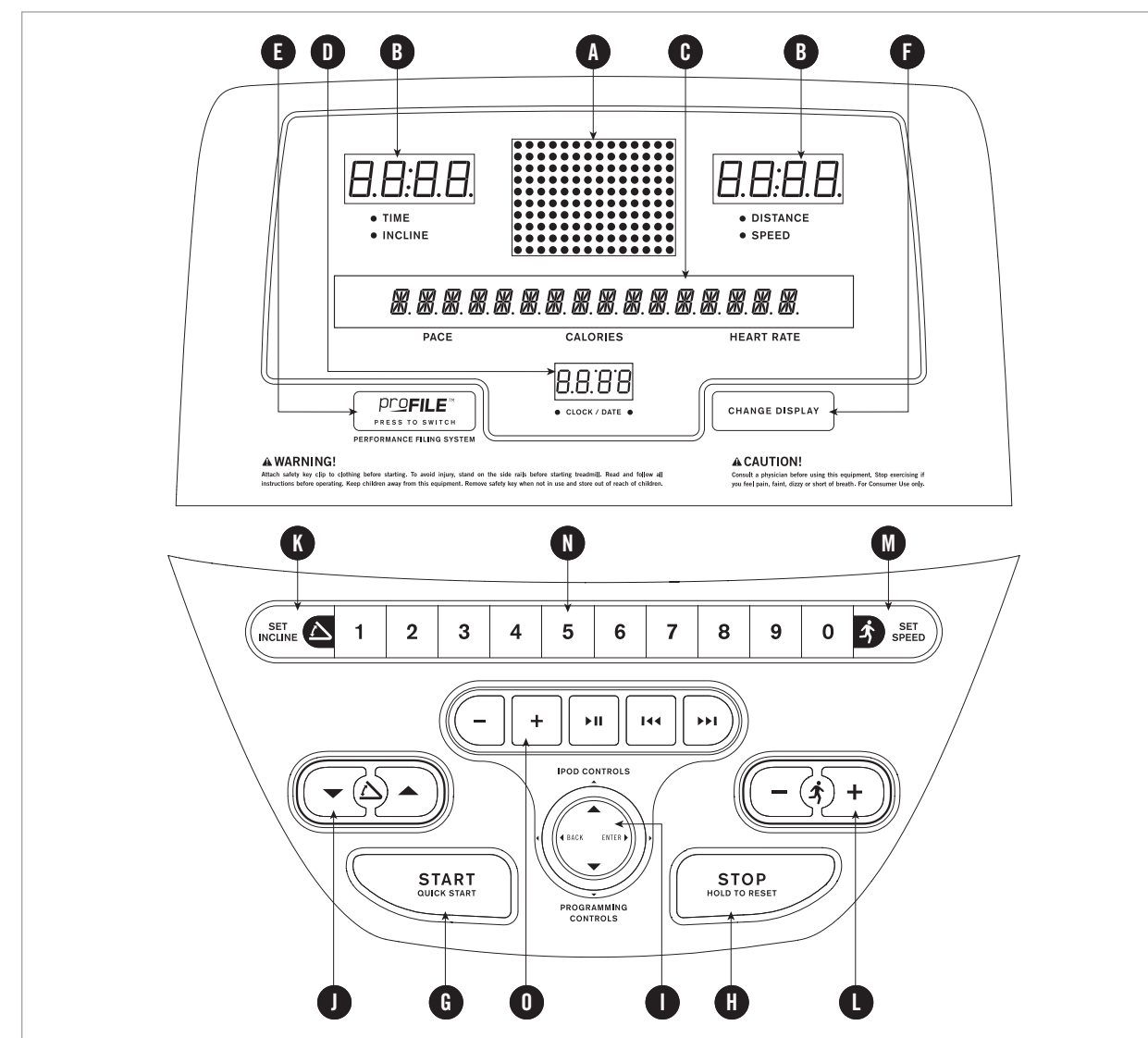
The running belt has been properly adjusted at the factory before it was shipped. At times the belt can move off-center during shipment. Before operating the treadmill, make sure the belt is centered and remains centered to maintain smooth operation.

CAUTION: Do not run belt faster than 1/2 mph while centering. Keep fingers, hair and clothing away from belt at all times.

If the running belt is too far to the right side: With the treadmill running at 1/2 mph, turn the right adjustment bolt clockwise 1/4 TURN at a time (using the supplied allen wrench). Check the belt alignment. Allow belt to run a full cycle to gauge if more adjustment is needed. Repeat if necessary, until the belt remains centered during use.

If the running belt is too far to the left side: With the treadmill running at 1/2 mph, turn the right adjustment bolt counter-clockwise 1/4 TURN at a time (using the supplied Allen wrench). Check the belt alignment. Allow belt to run a full cycle to gauge if more adjustment is needed. Repeat if necessary, until the belt remains centered during use.

TREADMILL OPERATION



- A) **WORKOUT PROFILE DISPLAY:** Displays workout profiles.
- B) **ADDITIONAL DISPLAY WINDOWS:** Time, Incline, Distance, Speed.
- C) **ALPHANUMERIC DISPLAY WINDOW:** Displays Pace, Calories, Heart Rate and proFILE™ display information.
- D) **CLOCK / DATE WINDOW:** Displays either Clock or Date.
- E) **proFILE™ BUTTON:** Used to scroll through proFILE™ display modes. Must be pressed after selecting user.
- F) **CHANGE DISPLAY BUTTON:** Used to scroll through display modes. Press to change display feedback during workout.
- G) **START:** Simply press to begin exercising or starts your workout.
- H) **STOP:** Press to pause/end your workout. Hold for 3 seconds to reset the treadmill.
- I) **PROGRAMMING BUTTON:** Used to select Program, Level and Time, and other options. Press to change display feedback during workout.
- J) **INCLINE ARROW KEYS:** Press to adjust incline (+/- 0.5% increments).
- K) **SET INCLINE KEY:** Used to confirm desired incline.
- L) **SPEED ARROW KEYS:** Press to adjust speed (+/- 0.1 MPH increments).
- M) **SET SPEED KEY:** Used to confirm desired speed.
- N) **QUICK ADJUST KEYPAD:** Used to reach desired speed or incline more quickly.
- O) **IPOD® CONTROLS:** Press to adjust your attached iPOD® audio settings.
- P) **AUDIO IN (NOT SHOWN):** Plug your CD / MP3 player into the console using the included audio adaptor cable.
- Q) **AUDIO OUT / HEADPHONE JACK (NOT SHOWN):** Plug your headphones into this jack to listen to your music through the headphones. NOTE: When headphones are plugged into the headphone jack the sound will no longer come out through the speakers.

MONITOR DISPLAY

SPEED • Shown as MPH. Indicates the speed of the treadmill belt.

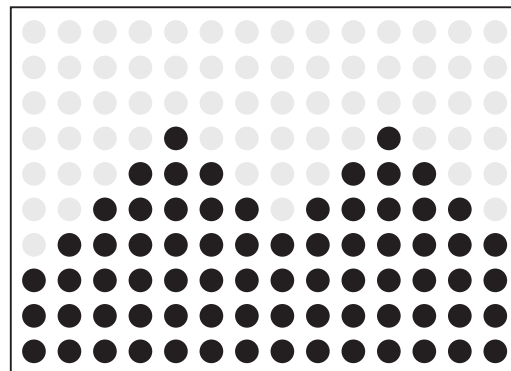
TIME • Shown as Minutes:Seconds. Indicates the time remaining or the time elapsed in your workout.

PULSE • Shown as Beats Per Minute. Indicates your heart rate (displayed when contact is made with both pulse grips).

DISTANCE • Shown as Miles. Indicates distance traveled during your workout.

INCLINE • Shown as Percent. Indicates the incline of the treadmill deck surface.

CALORIES • Indicates total Calories burned during your workout.



WORKOUT PROFILES • Represents the profile of the workout being used (speed during speed based workouts and incline during incline based workouts).

PACE • Indicates how many minutes it takes to complete a mile while running or walking at your current speed. For example: If at your current speed it will take you 10 minutes to complete a mile, the treadmill will display '10.0' as your pace.

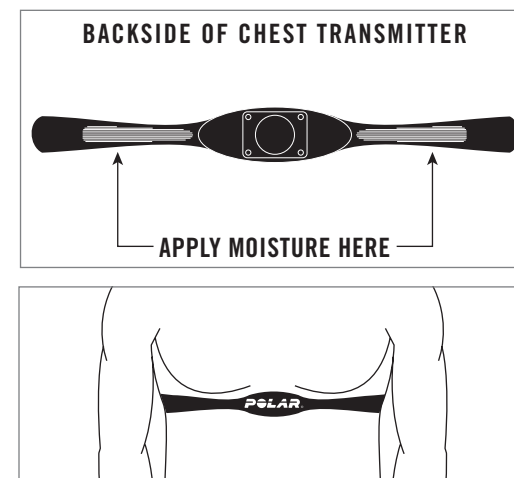
HEART RATE

PULSE GRIPS

Place the palm of your hands directly on the grip pulse handlebars. Both hands must grip the bars for your heart rate to register. It takes 5 consecutive heart beats (15-20 seconds) for your heart rate to register. When gripping the pulse handlebars, do not grip tightly. Holding the grips tightly may elevate your blood pressure. Keep a loose, cupping hold. You may experience an erratic readout if consistently holding the grip pulse handlebars. Make sure to clean the pulse sensors to ensure proper contact can be maintained. See MAINTENANCE SECTION.

WIRELESS CHEST TRANSMITTER

Prior to wearing the wireless chest transmitter on your chest, moisten the two rubber electrodes with water. Center the chest strap just below the breast or pectoral muscles, directly over your sternum, with the logo facing out. **NOTE:** The chest strap must be tight and properly placed to receive an accurate and consistent readout. If the chest strap is too loose, or positioned improperly, you may receive an erratic or inconsistent heart rate readout. **WARNING!** The heart rate function is not a medical device. Various factors may affect the accuracy of your heart rate reading. The heart rate reading is intended only as an exercise aid.



DATE & CLOCK SETUP

- 1) Enter Setup Mode: Press and hold **1** and **2** **BUTTONS** for 3-5 seconds.
- 2) Use the **ENTER** button to confirm settings.
- 3) Settings include: MONTH, DAY, YEAR, HOUR, MINUTE, and AM/PM.
- 4) Review Settings: You can review your settings at any time while in Setup Mode. Use the **ENTER** button to scroll through settings.
- 5) Exit Setup Mode: To confirm the Date and Time, press and hold **ENTER** for 3 seconds.
- 6) To Reset: Simply reenter Setup Mode and adjust Date and Time to the correct setting.

GETTING STARTED / SELECTING A WORKOUT

- 1) Check to make sure nothing is on or will hinder the movement of the treadmill.
- 2) Plug in the power cord and turn the treadmill ON.
- 3) Stand on the side rails of the treadmill.
- 4) Attach the safety key clip to part of your clothing.
- 5) Insert the safety key into the safety keyhole in the console.
- 6) You have two options to start your workout:

A) QUICK START

Simply press the **START** key to begin working out. OR...

B) SELECT A USER or GUEST (GUEST WORKOUTS ARE NOT TRACKED IN proFILE™)

Once a **USER OR GUEST** has been chosen, press **ENTER**.

C) SELECT WEIGHT.

Once a **WEIGHT** has been selected, press **ENTER**.

D) SELECT A PROGRAM

Select a **PROGRAM** using the **KEYPAD, ARROW KEYS** or **PROGRAMMING BUTTON**. Once a **PROGRAM** has been chosen, press **ENTER**.

E) SELECT A TIME

Select a Time using the **KEYPAD, ARROW KEYS, PROGRAMMING BUTTON** or use the default time. Once a **TIME** has been chosen, press **ENTER**.

F) SELECT A LEVEL

Select a Level using the **KEYPAD, ARROW KEYS, PROGRAMMING BUTTON** or use the default time. Once a **LEVEL** has been chosen, press **ENTER**.

FINISHING YOUR PROGRAM

When your workout is complete, the **CONSOLE** will beep. Your workout information will stay displayed on the console for 30 seconds and then reset.

CLEAR CURRENT SELECTION

To clear the current workout selection or screen, hold the **STOP** button for 3 seconds.

PROGRAM INFORMATION

PROGRAM: MANUAL (P1)

Allows 'On The Fly' manual **SPEED** and **INCLINE** changes. Time-based goal.

PROGRAM: SPEED INTERVALS (P2)

Walk or run a series of alternating **SPEED** levels. Time-based goal with 10 difficulty levels to choose from. Warm-up and cool-down last 4:00 minutes each and are included in program times.

PROGRAM SEGMENTS

MPH	2:00	2:00	:90	:30	:90	:30	SEGMENTS ARE REPEATED UNTIL SELECTED TIME IS REACHED	2:00	2:00
	WARM-UP		1	2	3	4		COOL DOWN	
Level 1	1.0	1.5	2.0	4.0	2.0	4.0		1.5	1.0
Level 2	1.0	1.5	2.0	4.5	2.0	4.5		1.5	1.0
Level 3	1.3	1.9	2.5	5.0	2.5	5.0		1.9	1.3
Level 4	1.3	1.9	2.5	5.5	2.5	5.5		1.9	1.3
Level 5	1.5	2.3	3.0	6.0	3.0	6.0		2.3	1.5
Level 6	1.5	2.3	3.0	6.5	3.0	6.5		2.3	1.5
Level 7	1.8	2.6	3.5	7.0	3.5	7.0		2.6	1.8
Level 8	1.8	2.6	3.5	7.5	3.5	7.5		2.6	1.8
Level 9	2.0	3.0	4.0	8.0	4.0	8.0		3.0	2.0
Level 10	2.0	3.0	4.0	8.5	4.0	8.5		3.0	2.0

PROGRAM: INCLINE INTERVALS (P3)

Walk or run a series of alternating **SPEED** and **INCLINE** levels. Time-based goal with 10 difficulty levels to choose from.

PROGRAM SEGMENTS

		2:00	2:00	1:30	:30	1:30	:30	1:30	:30	1:30	:30	2:00	2:00
		WARM-UP		1	2	3	4	5	6	7	8	COOL DOWN	
Level 1	Elevation	1.0	1.5	1.0	2.0	1.0	2.0	1.0	2.5	1.0	2.5	1.5	1.0
	Speed	1.0	1.5	2.0	4.0	2.0	4.0	2.0	4.5	2.0	4.5	1.5	1.0
Level 2	Elevation	1.0	1.5	1.0	2.5	1.0	2.5	1.5	3.0	1.5	3.0	1.5	1.0
	Speed	1.0	1.5	2.0	4.5	2.0	4.5	2.5	5.0	2.5	5.0	1.5	1.0
Level 3	Elevation	1.0	1.5	1.5	3.0	1.5	3.0	1.5	3.5	1.5	3.0	1.5	1.0
	Speed	1.3	1.9	2.5	5.0	2.5	5.0	2.5	5.5	2.5	5.5	1.9	1.3
Level 4	Elevation	1.0	1.5	1.5	3.5	1.5	3.0	2.0	4.0	2.0	4.0	1.5	1.0
	Speed	1.3	1.9	2.5	5.5	2.5	5.5	3.0	6.0	3.0	6.0	1.9	1.3
Level 5	Elevation	1.5	2.0	2.0	4.0	2.0	4.0	2.0	4.5	2.0	4.5	2.0	1.5
	Speed	1.5	2.3	3.0	6.0	3.0	6.0	3.0	6.5	3.0	6.5	2.3	1.5
Level 6	Elevation	1.5	2.0	2.0	4.5	2.0	4.5	2.0	5.0	2.0	5.0	2.0	1.5
	Speed	1.5	2.3	3.0	6.5	3.0	6.5	3.5	7.0	3.5	7.0	2.3	1.5
Level 7	Elevation	1.5	2.5	2.0	5.0	2.0	5.0	2.0	5.5	2.0	5.5	2.5	1.5
	Speed	1.8	2.6	3.5	7.0	3.5	7.0	3.5	7.5	3.5	7.5	2.6	1.8
Level 8	Elevation	1.5	2.5	2.0	5.5	2.0	5.5	2.0	6.0	2.0	6.0	2.5	1.5
	Speed	1.8	2.6	3.5	7.5	3.5	7.5	4.0	8.0	4.0	8.0	2.6	1.8
Level 9	Elevation	2.0	3.0	2.5	6.0	2.5	6.0	2.5	6.5	2.5	6.5	3.0	2.0
	Speed	2.0	3.0	4.0	8.0	4.0	8.0	4.0	8.5	4.0	8.5	3.0	2.0
Level 10	Elevation	2.0	3.0	2.5	6.5	2.5	6.5	2.5	7.0	2.5	7.0	3.0	2.0
	Speed	2.0	3.0	4.0	8.5	4.0	8.5	4.5	9.0	4.5	9.0	3.0	2.0

PROGRAM: WEIGHT LOSS (P4)

Walk or run a series of alternating **SPEED** and **INCLINE** levels. Time-based goal with 10 difficulty levels to choose from. Warm-up and cool-down last 4:00 minutes each and are included in program times.

PROGRAM SEGMENTS

		2:00	2:00	:30	:30	:30	:30	:30	:30	:30	:30	2:00	2:00
		WARM-UP		1	2	3	4	5	6	7	8	COOL DOWN	
Level 1	Elevation	0.0	0.5	1.5	1.5	1.0	0.5	0.5	0.5	1.0	1.5	0.5	0.0
	Speed	1.0	1.5	2.0	2.5	3.0	3.5	4.0	3.5	3.0	2.5	2.3	1.5
Level 2	Elevation	0.0	0.5	1.5	1.5	1.0	0.5	0.5	0.5	1.0	1.5	0.5	0.0
	Speed	1.3	1.9	2.5	3.0	3.5	4.0	4.5	4.0	3.5	3.0	2.6	1.8
Level 3	Elevation	0.5	1.0	2.0	2.0	1.5	1.0	1.0	1.0	1.5	2.0	1.0	0.5
	Speed	1.5	2.3	3.0	3.5	4.0	4.5	5.0	4.5	4.0	3.5	3.0	2.0
Level 4	Elevation	0.5	1.0	2.0	2.0	1.5	1.0	1.0	1.0	1.5	2.0	1.0	0.5
	Speed	1.8	2.6	3.5	4.0	4.5	5.0	5.5	5.0	4.5	4.0	3.4	2.3
Level 5	Elevation	1.0	1.5	2.5	2.5	2.0	1.5	1.5	1.5	2.0	2.5	1.5	1.0
	Speed	2.0	3.0	4.0	4.5	5.0	5.5	6.0	5.5	5.0	4.5	3.8	2.5
Level 6	Elevation	1.0	1.5	2.5	2.5	2.0	1.5	1.5	1.5	2.0	2.5	1.5	1.0
	Speed	2.3	3.4	4.5	5.0	5.5	6.0	6.5	6.0	5.5	5.0	4.1	2.8
Level 7	Elevation	1.5	2.0	3.0	3.0	2.5	2.0	2.0	2.0	2.5	3.0	2.0	1.5
	Speed	2.5	3.8	5.0	5.5	6.0	6.5	7.0	6.5	6.0	5.5	4.5	3.0
Level 8	Elevation	1.5	2.0	3.0	3.0	2.5	2.0	2.0	2.0	2.5	3.0	2.0	1.5
	Speed	2.8	4.1	5.5	6.0	6.5	7.0	7.5	7.0	6.5	6.0	4.9	3.3
Level 9	Elevation	2.0	2.5	3.5	3.5	3.0	2.5	2.5	2.5	3.0	3.5	2.5	2.0
	Speed	3.0	4.5	6.0	6.5	7.0	7.5	8.0	7.5	7.0	6.5	5.3	3.5
Level 10	Elevation	2.0	2.5	3.5	3.5	3.0	2.5	2.5	2.5	3.0	3.5	2.5	2.0
	Speed	3.3	4.6	6.5	7.0	7.5	8.0	8.5	8.0	7.5	7.0	5.6	3.8

PROGRAM: PACER (P5)

Trains you to run at a steady "race pace" Enter in the distance plus the time limit, and the program calculates a steady pace.

PROGRAM: 5K (P6)

Walk a series of alternating **INCLINE** levels. Distance based goal with 4 difficulty levels to choose from. Distance shown as Kilometers.

PROGRAM SEGMENTS

		Segments repeat until Distance is reached																			
		1:00	1:00	1:00	1:00	0.16 km	0.16 km	0.16 km	0.16 km	0.16 km	0.16 km	0.16 km	0.16 km	0.16 km	0.16 km	0.16 km	0.16 km	1:00	1:00	1:00	1:00
		Warm Up				1	2	3	4	5	6	7	8	9	10	11	12	Cool Down			
Flat		0	0	0	0	0	0	0	0	0	0	0	0	0	0	0	0	0	0	0	0
Rolling		0	0	0.5	0.5	1	0.5	1	0.5	2	3	2	4	2	3	2	0.5	0.5	0.5	0	0
Hills		0.5	0.5	1	1	1.5	1	3	2.5	4	5	4	6	4	5	4	2.5	1	1	0.5	0.5
Mountain		1.5	1.5	2	2	2.5	3.5	5	4.5	6	7	6	8	6	7	6	4.5	2	2	1.5	1.5

PROGRAM: 10K (P7)

Walk a series of alternating **INCLINE** levels. Distance based goal with 4 difficulty levels to choose from. Distance shown as Kilometers.

PROGRAM SEGMENTS

		Segments repeat until Distance is reached																				
		1:00	1:00	1:00	1:00	0.16 km	0.16 km	0.16 km	0.16 km	0.16 km	0.16 km	0.16 km	0.16 km	0.16 km	0.16 km	0.16 km	0.16 km	0.16 km	1:00	1:00	1:00	1:00
		Warm Up				1	2	3	4	5	6	7	8	9	10	11	12	Cool Down				
Flat		0	0	0	0	0	0	0	0	0	0	0	0	0	0	0	0	0	0	0	0	
Rolling		0	0	0.5	0.5	1	0.5	1	0.5	2	3	2	4	2	3	2	0.5	0.5	0.5	0	0	
Hills		0.5	0.5	1	1	1.5	1	3	2.5	4	5	4	6	4	5	4	2.5	1	1	0.5	0.5	
Mountain		1.5	1.5	2	2	2.5	3.5	5	4.5	6	7	6	8	6	7	6	4.5	2	2	1.5	1.5	

PROGRAM: THR ZONE (P8)

Automatically adjusts incline to maintain your Target Heart Rate. Perfect for simulating the intensity of your favorite sport or everyday activity. Time-based goal.

- Once the **THR ZONE** program has been chosen, press **ENTER**.
- Choose the desired **TIME** using the **ARROW KEYS** and press **ENTER**.
- Choose a **TARGET HEART RATE** using the **ARROW KEYS** on the programming button and press **ENTER**.
Note: Use the chart provided in this guide, to determine your target heart rate.
- Press **START** to begin your program.

In this program, the large LED dot matrix window displays your heart rate during exercise. The middle row represents your target heart rate (THR) and the other rows equal +/-2 heart beats. If you are working out beneath your THR, the LEDs **BELOW** the middle row will illuminate. If you are over, the LEDs **ABOVE** the middle row will illuminate. Your current heart rate is represented by the flashing column and the window will refresh every 5 seconds.

NOTE: If no heart rate is detected, the large LED window will display the incline profile.

After the 4 minute warm-up period, the **INCLINE** level will increase gradually until the user reaches the entered **TARGET HEART RATE ZONE**. Once the user reaches the **TARGET HEART RATE ZONE** (plus or minus 5 beats per minute) the **INCLINE** level will remain. The incline will increase or decrease to match your target heart rate. The last 4 minutes of the program will begin the cool down period. At this time, the program will gradually decrease the resistance level to give the user a smooth cool down.

PROGRAM: INTERVALS HR (P9)

Automatically adjusts peak and valley incline levels within your desired heart rate. Perfect for providing an intense workout with recovery bursts. Time based goal.

1. Set **WORK INTERVAL TIME** using **PROGRAMMING BUTTON, KEYPAD** or **ARROW KEYS** and press **ENTER**.
2. Set **WORK INTERVAL TARGET HEART RATE** using **PROGRAMMING BUTTON, KEYPAD** or **ARROW KEYS** and press **ENTER**.
3. Set **REST INTERVAL TIME** using **PROGRAMMING BUTTON, KEYPAD** or **ARROW KEYS** and press **ENTER**.
4. Set **REST INTERVAL TARGET HEART RATE** using **PROGRAMMING BUTTON, KEYPAD** or **ARROW KEYS** and press **ENTER**.
5. Set **TOTAL WORKOUT TIME** using **PROGRAMMING BUTTON, KEYPAD** or **ARROW KEYS** and press **ENTER**.

PROGRAM SEGMENTS

	Warm Up	Work Interval	Rest Interval	Cool Down	
Time	4:00	The work interval and rest interval segment times are preset by the user and are repeated until the cool down.		2:00	2:00
Incline %	0% (Or User Selects)	THR set by user for the work and rest intervals. Incline changes per definition.		1/2 Current Incline	0%

PROGRAM: STEP HR (P10)

Set custom target heartrates for 4 different steps. Incline is automatically adjusted to maintain your goal for each step. Time based goal.

PROGRAM SEGMENTS

	Warm Up	STEP 1	STEP 2	STEP 3	STEP 4	Cool Down	
Time	4:00	Step segment time preset by user and repeated until cool down.				2:00	2:00
Incline %	0% (Or User Selects)	THR set by user for each step. Incline changes to achieve desired goal.				1/2 Current Incline	0%

PROGRAM: CUSTOM 1 & 2 (P11-P12)

Lets you create and reuse a perfect workout for you with specific speed, incline and time combination. The ultimate in personal programming. Time-based goal.

1. Once the **CUSTOM 1 OR 2** program has been chosen, press **ENTER**
2. Choose the desired **TIME** using the **PROGRAMMING BUTTON, KEYPAD** or **ARROW KEYS** and press **ENTER**.
3. Choose the desired **SPEED** for each segment, using **PROGRAMMING BUTTON, KEYPAD** or **ARROW KEYS** and press **ENTER**. Note: You will need to press **ENTER** after each segment.
4. Choose the desired **INCLINE** for each segment, using **PROGRAMMING BUTTON, KEYPAD** or **ARROW KEYS** press **ENTER**. Note: You will need to press **ENTER** after each segment.
5. Press **START** to begin your program. At this time, your program has been successfully saved into memory, and can be used for future workouts.
 - To **RESET** your program information and delete it from memory, press and hold the **ENTER** key for 5 seconds. Note: Program must be selected and entered before deleting.
 - While using your saved program, you are able to adjust the speed or incline, but any changes will not be saved.

proFILE™ PERFORMANCE TRACKER

INTRODUCTION

Research shows that those who journal their fitness routines or workouts, on average, achieve greater success than those who do not. Because your new treadmill is equipped with AFG's exclusive proFILE™ Performance Tracker, you've taken an important step towards achieving your fitness goals. Congratulations!

proFILE™ is an innovative new software, integrated into your treadmill console, that will allow you to track your fitness progress over time, without the need for paper journals or logs. proFILE™ allows you to easily compare your current workout to your last, average or lifetime workout totals. With quick access to feedback like duration of workout or calories burned during previous workouts, you'll be able to quickly and easily see the progress you've made. Read further to learn about how proFILE™ can help motivate you to enhance your performance.

proFILE™ OPERATION

SETUP: To activate proFILE™ a user **MUST** be chosen before the program begins. To select a USER 1 or 2, use PROGRAMMING BUTTON and press ENTER to confirm. All accumulated data specifically relates to the user that is chosen. Note: If no user is selected and clock and date are not set, no data will be tracked.

RESET: Reset all recorded information for User 1 or User 2 by selecting the user and then holding down the proFILE™ button for 10 seconds. Note: This step is permanent and will delete ALL previously accumulated data for the chosen user.

ACCUMULATED DATA: Once proFILE™ is activated, you can scroll through your accumulated data in multiple formats by pressing the proFILE™ button. A workout is saved when: the program ends, the console is paused and not resumed within 10 minutes, or the STOP button is held to reset the console.

- 1) **CURRENT WORKOUT:** The console automatically defaults to Current Workout, displaying your progress in real time.
- 2) **AVERAGE WORKOUT:** This option allows you to see your average accumulated data for the last 30 workouts. The following information will be shown in each display window:
 - INCLINE - Average incline level.
 - TIME - Average workout time.
 - CALORIES - Average calories burned.
 - PACE - Average pace of workout.
 - DISTANCE - Average workout distance.
 - SPEED - Average speed of workout.
- 3) **LAST WORKOUT:** This option allows you to view your accumulated data from your last workout. The Current Workout becomes the Last Workout once a program has ended or the console has been reset. The following information will be shown in each display window:
 - INCLINE - Average incline of last workout.
 - TIME - Total time of last workout.
 - CALORIES - Total calories burned during last workout.
 - PACE - Average pace of last workout.
 - DISTANCE - Total distance of last workout.
 - SPEED - Average speed of last workout.

4) **WEEKLY GOAL:** Indicates the weekly goal you set. "LEFT" – Indicates the time or distance you have left to complete to meet your weekly goal.

TIME or DISTANCE – The total time or distance goal you selected and the time or distance you have left to complete to meet your weekly goal.

- A) The "GOAL" and "LEFT" will display alternately every 3 seconds.
- B) A "GOAL DONE" message will appear when goal is completed.
- C) If the date and clock are not set and/or a weekly goal is not set, WEEKLY GOAL will display zeros.
- D) The time or distance left for the weekly goal will reset at the end of each week.

5) **WEEKLY TOTAL:** View your accumulated data from the last Sunday to the present day. Note: This data is based on week to date NOT the previous seven days. For instance, if you have not used the machine since Sunday, the console will read zeros. The following information will be shown in each display window:

INCLINE - Average incline level.

TIME - Total time of workout.

CALORIES - Average calories burned.

PACE - Average pace of weekly workout.

DISTANCE - Total distance of workout.

SPEED - Average speed of weekly workout.

Note: If the Date and Clock are not set, Weekly Total will default to the Last Workout data.

6) **LIFETIME TOTAL:** This option allows you to view the the total accumulated data. The following information will be shown in each display window:

INCLINE - Average incline level.

TIME - Total accumulated time. Note: If time is greater than 59:59, the time will no longer display minutes and will display hours only.

CALORIES - Average calories burned.

PACE - Average pace.

DISTANCE - Total accumulated distance.

SPEED - Average speed.

WEEKLY GOAL SETUP

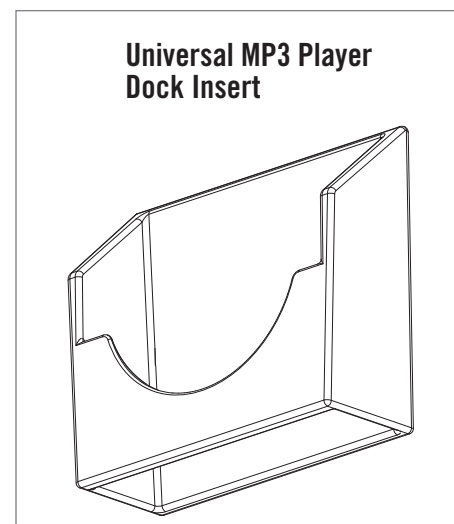
- 1) Select **USER 1** or **USER 2**.
- 2) Press **proFILE™** button and scroll to **WEEKLY GOAL**.
- 3) Enter the Setup Mode: Press **ENTER**. Use +/- **KEYS** to set a time goal (leave time at 00:00 if you want to set a distance goal).
- 4) Press **ENTER** button again and use the +/- **KEYS** to set a distance goal. If the distance is changed from 0.00, distance will be the goal. **NOTE:** You may only set a time or distance goal, not both.
- 5) Press **ENTER** button again to exit the **SETUP MODE**.

ENTERTAINMENT INFORMATION

USING NON-iPod® MP3 / CD PLAYERS

Using Speaker/MP3 Audio Function

- 1) Leave **RUBBER PLUG** at bottom of **DOCKING STATION**.
- 2) To hold your **MP3** player in place in the **DOCKING STATION**, use the **UNIVERSAL MP3 PLAYER INSERT**.
*Note: Only iPods are compatible with the **CONNECTOR PIN** in the iPod Docking station.*
- 3) Connect the included **AUDIO ADAPTOR CABLE** to the **AUDIO IN JACK** on the top of the **CONSOLE** and the **HEADPHONE JACK** on your **CD / MP3** player.
- 4) Use your **CD / MP3** player buttons to adjust song settings.
*NOTE: If you don't want to use the speakers, you can plug your headphones into the **AUDIO OUT JACK** at the bottom of the **CONSOLE**.*
- 5) Remove the **AUDIO ADAPTOR CABLE** when not in use.

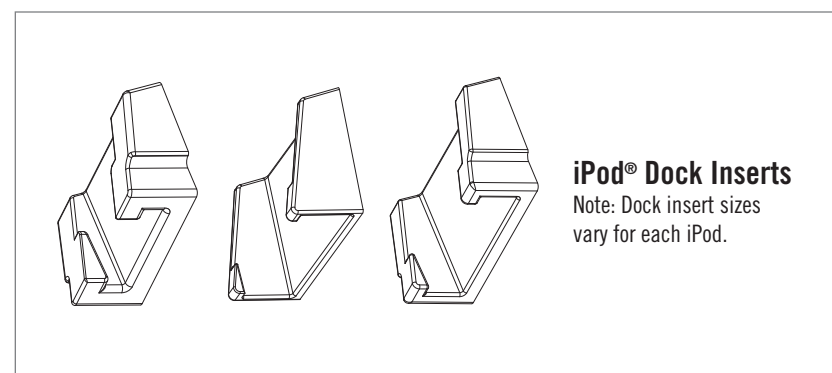
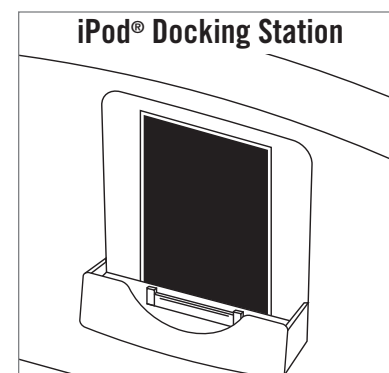


USING iPod® AUDIO PLAYER

The AFG iPod Docking Station is the entertainment solution for your workouts. Various models of iPod with a dock connector can fit with the use of the included inserts.

Using Your iPod Docking Station (iPod not included)

- 1) Remove rubber plug from bottom of **DOCKING STATION**.
 - 2) Place the insert that fits your **iPod** model into the **DOCKING STATION**. *NOTE: Dock inserts will not fit all of the way to the bottom of the docking station.*
 - 3) Plug in your **iPod** by matching the dock connector pin on the treadmill with the dock connector on your **iPod**.
- NOTE: If you want to connect a different sized iPod, simply lift out the insert and replace with a new one.*
- 4) Use the **iPod** controls on the bottom of the **CONSOLE** to adjust volume and song settings.
*NOTE: If you don't want to use the speakers, you can plug your headphones into the **AUDIO OUT JACK** at the bottom of the **CONSOLE**.*
 - 5) Replace the rubber plug into the bottom of the **DOCKING STATION** when the station is not in use.
*NOTE: iPod audio will not play through speakers if audio adaptor cable is plugged in while iPod is in the **DOCKING STATION**.*



CONDITIONING GUIDELINES

ALWAYS CONSULT YOUR PHYSICIAN BEFORE BEGINNING AN EXERCISE PROGRAM.

HOW OFTEN? (Frequency of Workouts)

The American Heart Association recommends that you exercise at least 3 to 4 days per week to maintain cardiovascular fitness. If you have other goals such as weight or fat loss, you will achieve your goal faster with more frequent exercise. Whether it's 3 days or 6 days, remember that your ultimate goal should be to make exercise a lifetime habit. Many people are successful staying with a fitness program if they set aside a specific time of day to exercise. It doesn't matter whether it's in the morning before breakfast, during lunch hour or while watching the evening news. What's more important is that it's a time that allows you to keep a schedule, and a time when you won't be interrupted. To be successful with your fitness program, you have to make it a priority in your life. So decide on a time, pull out your day planner and pencil in your exercise times for the next month!

HOW LONG? (Duration of Workouts)

For aerobic exercise benefits, it's recommended that you exercise from between 24 and 60 minutes per session. But start slowly and gradually increase your exercise times. If you've been sedentary during the past year, it may be a good idea to keep your exercise times to as little as five minutes initially. Your body will need time to adjust to the new activity. If your goal is weight loss, a longer exercise session at lower intensities has been found to be most effective. A workout time of 48 minutes or more is recommended for best weight loss results.

HOW HARD? (Intensity of Workouts)

How hard you workout is also determined by your goals. If you use your treadmill to prepare for a 5K run, you will probably work out at a higher intensity than if your goal is general fitness. Regardless of your long term goals, always begin an exercise program at low intensity. Aerobic exercise does not have to be painful to be beneficial! There are two ways to measure your exercise intensity. The first is by monitoring your heart rate using the grip pulse handlebars and the second is by evaluating your perceived exertion level (this is simpler than it sounds!)

PERCEIVED EXERTION LEVEL

A simple way to gauge your exercise intensity is to evaluate your perceived exertion level. While exercising, if you are too winded to maintain a conversation without gasping, you are working out too hard. A good rule of thumb is to work to the point of exhilaration, not exhaustion. If you cannot catch your breath, it's time to slow down. Always be aware of these warning signs of overexertion.

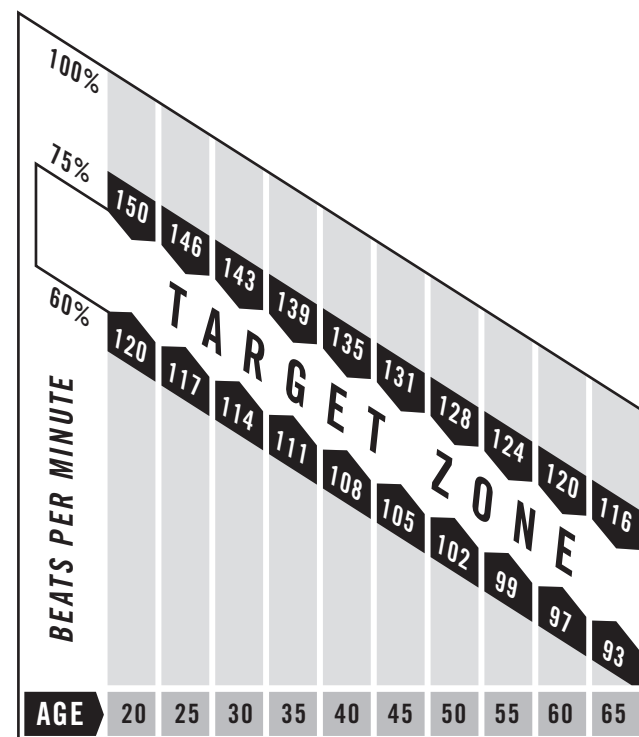
TARGET HEART RATE ZONE CHART

What is Target Heart Rate Zone?

Target Heart Rate Zone tells you the number of times per minute your heart needs to beat to achieve a desired workout effect. It is represented as a percentage of the maximum number of times your heart can beat per minute. Target Zone will vary for each individual, depending on age, current level of conditioning, and personal fitness goals. The American Heart Association recommends working-out at a Target Heart Rate Zone of between 60% and 75% of your maximum heart rate. A beginner will want to workout in the 60% range while a more experienced exerciser will want to workout in the 70-75% range. See chart for reference.

EXAMPLE:

For a 42-year-old user: Find age along the bottom of the chart (round to 40), follow age column up to the target zone bar. Results: 60% of maximum Heart Rate = 108 Beats Per Minute, 75% of maximum Heart Rate = 135 Beat Per Minute.



ALWAYS CONSULT YOUR PHYSICIAN BEFORE BEGINNING AN EXERCISE PROGRAM.

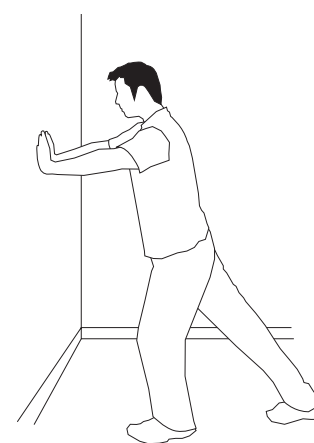
TIPS



STRETCHING

STRETCH FIRST

Before using your product, it is best to take a few minutes to do a few gentle stretching exercises. Stretching prior to exercise will improve flexibility and reduce chances of exercise related injury. Ease into each of these stretches with a slow gentle motion. Do not stretch to the point of pain. Make sure not to bounce while doing these stretches.

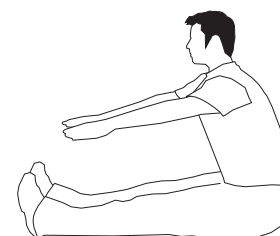
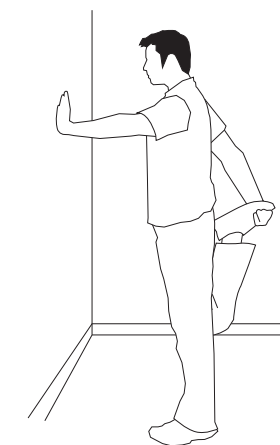


1. STANDING CALF MUSCLE STRETCH

Stand near a wall with the toes of your left foot about 18" from the wall, and the right foot about 12" behind the other foot. Lean forward, pushing against the wall with your palms. Keep your heels flat and hold this position for a count of 15 seconds. Make sure that you do not bounce while stretching. Repeat on the other side.

2. STANDING QUADRICEP STRETCH

Using a wall to provide balance, grasp your left ankle with your left hand and hold your foot against the back of your thigh for 15 seconds. Repeat with your right ankle and hand.



3. SITTING HAMSTRING & LOWER BACK MUSCLE STRETCH

Sit on the floor with your legs together and straight out in front of you. Do not lock your knees. Extend your fingers towards your toes and hold for a count of 15 seconds. Make sure that you do not bounce while stretching. Sit upright again. Repeat one time.

TIPS **THE IMPORTANCE OF WARM UP & COOL DOWN****WARM UP**

The first 2 to 5 minutes of a workout should be devoted to warming up. The warm-up will limber your muscles and prepare them for more strenuous exercise. Make sure that you warm-up on your product at a slow pace. The warm up should gradually bring your heart rate into your Target Heart Rate Zone.

COOL DOWN

Never stop exercising suddenly! A cool-down period of 3-5 minutes allows your heart to readjust to the decreased demand. Make sure that your cool down period consists of a very slow pace to allow your heart rate to lower. After the cool-down, repeat the stretching exercises listed above to loosen and relax your muscles.

TIPS **ACHIEVING YOUR FITNESS GOALS**

An important step in developing a long term fitness program is to determine your goals. Is your primary goal for exercising to lose weight? Improve muscle? Reduce stress? Prepare for the spring racing schedule? Knowing what your goals are will help you develop a more successful exercise program. Below are some common exercise goals:

- Weight Loss - lower intensity, longer duration workouts
- Improve Body Shape and Tone - interval workouts, alternate between high and low intensities
- Increased Energy Level - more frequent daily workouts
- Improved Sports Performance - high intensity workouts
- Improved Cardiovascular Endurance - moderate intensity, longer duration workouts

If possible try to define your personal goals in precise, measurable terms, and then put your goals in writing. The more specific you can be, the easier it will be to track your progress. If your goals are long term, divide them up into monthly and weekly segments. Longer term goals can lose some of the immediate motivation benefits. Short term goals are easier to achieve. Your console provides you with several readouts that can be used to record your progress. You can track Distance, Calories or Time.

KEEPING AN EXERCISE DIARY

To make your personal exercise log book, photocopy the weekly and monthly log sheets, which are located on the following pages, or you can print them off of your computer by going to:

www.advancedfitnessgroup.com/guides/weeklylog.pdf

www.advancedfitnessgroup.com/guides/monthlylog.pdf

As your fitness improves, you can look back and see how far you've come!

WEEKLY LOG SHEETS

WEEK #	WEEKLY GOAL				
DAY	DATE	DISTANCE	CALORIES	TIME	COMMENTS
SUNDAY					
MONDAY					
TUESDAY					
WEDNESDAY					
THURSDAY					
FRIDAY					
SATURDAY					
WEEKLY TOTALS :					

WEEK #	WEEKLY GOAL				
DAY	DATE	DISTANCE	CALORIES	TIME	COMMENTS
SUNDAY					
MONDAY					
TUESDAY					
WEDNESDAY					
THURSDAY					
FRIDAY					
SATURDAY					
WEEKLY TOTALS :					

WEEK #	WEEKLY GOAL				
DAY	DATE	DISTANCE	CALORIES	TIME	COMMENTS
SUNDAY					
MONDAY					
TUESDAY					
WEDNESDAY					
THURSDAY					
FRIDAY					
SATURDAY					
WEEKLY TOTALS :					

MONTHLY LOG SHEETS

MONTH	MONTHLY GOAL		
WEEK #	DISTANCE	CALORIES	TIME
MONTHLY TOTALS :			

MONTH	MONTHLY GOAL		
WEEK #	DISTANCE	CALORIES	TIME
MONTHLY TOTALS :			

MONTH	MONTHLY GOAL		
WEEK #	DISTANCE	CALORIES	TIME
MONTHLY TOTALS :			

TROUBLESHOOTING

COMMON PRODUCT QUESTIONS

ARE THE SOUNDS MY TREADMILL MAKES NORMAL?

All treadmills make a certain type of thumping noise due to the belt riding over the rollers, especially new treadmills. This noise will diminish over time, although may not totally go away. Over time, the belt will stretch, causing the belt to ride smoother over the rollers.

WHY IS THE TREADMILL I PURCHASED LOUDER THAN THE ONE AT THE STORE?

All fitness products seem quieter in a large store showroom because there is generally more background noise than in your home. Also, there will be less reverberation on a carpeted concrete floor than on a wood overlay floor. Sometimes a heavy rubber mat will help reduce reverberation through the floor. If a fitness product is placed close to a wall, there will be more reflected noise.

WHEN SHOULD I BE WORRIED ABOUT A NOISE?

As long as the sounds your treadmill makes are no louder than a normal conversational tone of voice, it is considered normal noise.

PROBLEM: The console does not light up and/or the belt does not move.

SOLUTION: Verify the following:

DOES THE RED LIGHT ON THE ON/OFF SWITCH LIGHT UP?

IF YES:

- Double check that all connections are secure, especially the console cable. Unplug and reconnect the console cable to verify.
- Make sure the console cable is not pinched or damaged in any way.
- Turn the power off, unplug the power cable and wait 60 seconds. Remove motor cover. Wait until all red LED lights have gone off on the motor control board before proceeding. Next, verify that none of the wires connected to the lower board are loose or disconnected.

IF NO:

- Verify that the outlet the machine is plugged into is functional. Double check that the breaker has not tripped, it is on a dedicated 20-amp circuit, it is not on a GFCI equipped outlet, and it is not plugged into a power strip/surge protector or extension cord.
- The power cord is not pinched or damaged and is properly plugged into the outlet AND the machine.
- The power switch is turned to the ON position.

PROBLEM: The treadmill circuit breaker trips during a workout.

SOLUTION: Verify the following:

- Make sure the treadmill is plugged into a dedicated 20-amp circuit.
- Verify that you do not have the machine on an extension cord or surge protector.
- Confirm that the machine is not plugged into a GFCI-equipped outlet or on a circuit that has a GFCI-equipped outlet on it.
- Lubricate treadmill deck if necessary.

PROBLEM: The running belt does not stay centered during a workout.

SOLUTION: Verify the following:

- Make sure the treadmill is on a level surface.
- Verify that the belt is properly tightened and centered (Refer to the Adjustment section for detailed directions).

PROBLEM: Operating speed appears inaccurate.

SOLUTION: Auto-calibrate the treadmill.

- Power on the treadmill and have the safety key in position on the console. Press and hold the elevation “+” and speed “-” buttons for approximately 5 seconds to enter the Engineering Mode. The console will beep and “ENG0” appears in the display.
- Press the Speed “+” or “-” button until “ENG2” appears in the display.
- Press, “ENTER” to select. Press, “START” to begin. The treadmill running belt will begin to move automatically and the auto-calibration sequence will properly set and store the speed values.
- Upon successful calibration, the treadmill will beep several times. The console will automatically exit Engineering Mode and return to the start-up screen.



DO NOT stand on running belt while calibrating – stand on the guide rails. Treadmill will fluctuate between low and high speeds for several minutes until calibration is complete.

TROUBLESHOOTING - HEART RATE

Check your exercise environment for sources of interference such as fluorescent lights, computers, underground fencing, home security systems or appliances containing large motors. These items may cause erratic heart rate readouts.

You may experience an erratic readout under the following conditions:

- Gripping the heart rate handlebars too tight. Try to maintain moderate pressure while holding onto the heart rate handlebars.
- Constant movement and vibration due to constantly holding the heart rate handlebars while exercising. If you are receiving erratic heart rate readouts, try to only hold the grips long enough to monitor your heart rate.
- When you are breathing heavily during a workout.
- When your hands are constricted by wearing a ring.
- When your hands are dry or cold. Try to moisten your palms by rubbing them together to warm.
- Anyone with heavy arrhythmia.
- Anyone with arteriosclerosis or peripheral circulation disorder.
- Anyone whose skin on the measuring palm is especially thick.

If the above troubleshooting section does not remedy the problem, discontinue use and turn the power off.

PLEASE CALL CUSTOMER TECH SUPPORT AT THE NUMBER ON THE BACK PANEL.

The following information may be asked of you when you call. Please have these items readily available:

- Model Name
- Serial Number
- Date of Purchase (receipt or credit card statement)

In order for Customer Tech Support to service your treadmill they may need to ask detailed questions about the symptoms that are occurring. Some troubleshooting questions that may be asked are:

- How long has this problem been occurring?
- Does this problem occur with every use? With every user?
- If you are hearing a noise, does it come from the front or the back? What kind of noise is it (thumping, grinding, squeaking, chirping etc.)?
- Has the machine been lubricated and maintained per the maintenance schedule?

Answering these and other questions will give the technicians the ability to send proper replacement parts and the service necessary to get you and your AFG treadmill running again!

MAINTENANCE

Cleanliness of your treadmill and its operation environment will keep maintenance problems and service calls to a minimum. For this reason, we recommend that the following preventive maintenance schedule be followed.

AFTER EACH USE (DAILY)

Clean and inspect, following these steps:

- Turn off the treadmill with the on/off switch, then unplug the power cord at the wall outlet.
- Wipe down the running belt, deck, motor cover, and console casing with a damp cloth. Never use solvents, as they can cause damage to the treadmill.
- Inspect the power cord. If the power cord is damaged, contact AFG.
- Make sure the power cord is not underneath the treadmill or in any other area where it can become pinched or cut.
- Check the tension and alignment of the running belt. Make sure that the treadmill belt will not damage any other components on the treadmill by being misaligned.

EVERY WEEK

Clean underneath the treadmill, following these steps:

- Turn off the treadmill with the on/off switch, then unplug the power cord at the wall outlet.
- Fold the treadmill into the upright position, making sure that the lock latch is secure.
- Move the treadmill to a remote location.
- Wipe or vacuum any dust particles or other objects that may have accumulated underneath the treadmill.
- Return the treadmill to its previous position.

EVERY MONTH - IMPORTANT!

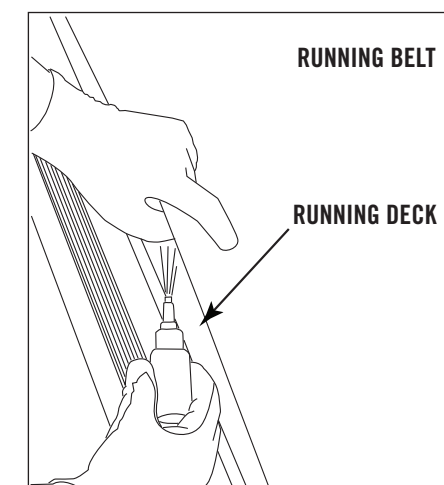
- Turn off the treadmill with the on/off switch, then unplug the power cord at the wall outlet.
- Inspect all assembly bolts of the machine for proper tightness.
- Turn off the treadmill and wait 60 seconds.
- Remove the motor cover. Wait until ALL display screens turn off.
- Clean the motor and lower board area to eliminate any lint or dust particles that may have accumulated. Failure to do so may result in premature failure of key electrical components.
- Vacuum and wipe down the belt with a damp cloth. Vacuum any black/white particles that may accumulate around the unit. These particles may accumulate from normal treadmill use.

EVERY 6 MONTHS OR 150 MILES

It is necessary to lubricate your treadmill running deck every six months or 150 miles to maintain optimal performance. Once the treadmill reaches 150 miles, the console will display the message “LUBE” or “LUBE BELT”. The treadmill will not operate while the message is showing. Hold Stop for 5 seconds to suspend message for 5 miles. Your treadmill came with a bottle of lubricant which can be used for two applications. If you need lubricant contact AFG. Only use lubricant provided by AFG.

- Turn off the treadmill with the on/off switch, then unplug the power cord at the wall outlet.
- Loosen both the rear roller bolts. (For best results, place two removable marks on both sides of the frame and note roller position). Once the belt is loosened, take the bottle of lubricant and apply it to the entire top surface of the running deck. Tighten both rear roller bolts (matching up the marks for proper position) to original position. After you have applied lubricant, plug in the power cord, insert the safety key, start the treadmill and walk on the belt for two minutes to spread the lubricant.
- Lubricate the air shocks with Teflon based spray.
- Once lubrication is complete, reset the console by pressing and holding ‘STOP’ and Speed ‘+’ buttons for 5 seconds.

LUBRICATION



Please contact AFG with questions about applying lubricant to your treadmill.

LIMITED HOME-USE WARRANTY

Weight Capacity = 400 LBS

FRAME • LIFETIME

AFG warrants the frame against defects in workmanship and materials for the lifetime of the original owner, so long as the device remains in the possession of the original owner. (The frame is defined as the welded metal base of the unit and does not include any parts that can be removed.)

MOTOR • LIFETIME

AFG warrants the motor against defects in workmanship and materials for the lifetime of the original owner, so long as the device remains in the possession of the original owner.

ELECTRONICS & PARTS • 3 YEARS*

AFG warrants the electronic components and all original parts for a period of three years from the date of original purchase, so long as the device remains in the possession of the original owner.

* By registering this product within 30 days of purchase, AFG will automatically extend the electronics and parts warranty of this product from 3 to 5 years.

LABOR • 1 YEAR

AFG shall cover the labor cost for the repair of the device for a period of one year from the date of the original purchase, so long as the device remains in the possession of the original owner.

EXCLUSIONS AND LIMITATIONS

Who IS covered:

- The original owner and is not transferable.

What IS covered:

- Repair or replacement of a defective motor, electronic component, or defective part and is the sole remedy of the warranty.

What IS NOT covered:

- Normal wear and tear, improper assembly or maintenance, or installation of parts or accessories not originally intended or compatible with the equipment as sold.
- Damage or failure due to accident, abuse, corrosion, discoloration of paint or plastic, neglect, theft, vandalism, fire, flood, wind, lightning, freezing, or other natural disasters of any kind, power reduction, fluctuation or failure from whatever cause, unusual atmospheric conditions, collision, introduction of foreign objects into the covered unit, or modifications that are unauthorized or not recommended by AFG.
- Incidental or consequential damages. AFG is not responsible or liable for indirect, special or consequential damages, economic loss, loss of property, or profits, loss of enjoyment or use, or other consequential damages of whatsoever nature in connection with the purchase, use, repair or maintenance of the equipment.
- Equipment used for commercial purposes or any use other than a single family or Household, unless endorsed by AFG for coverage.
- Equipment owned or operated outside the US and Canada.
- Delivery, assembly, installation, setup for original or replacement units or labor or other costs associated with removal or replacement of the covered unit.
- Any attempt to repair this equipment creates a risk of injury. AFG is not responsible or liable for any damage, loss or liability arising from any personal injury incurred during the course of, or as a result of any repair or attempted repair of your fitness equipment by other than an authorized service technician. All repairs attempted by you on your fitness equipment are undertaken AT YOUR OWN RISK and AFG shall have no liability for any injury to the person or property arising from such repairs.

SERVICE/RETURNS

- In-home service is available within 150 miles of the nearest authorized repair center (Mileage beyond 150 miles from an authorized service center is the responsibility of the consumer).
- All returns must be pre-authorized by AFG.
- AFG's obligation under this warranty is limited to replacing or repairing, at AFG's option, the equipment at one of its authorized service centers.
- An AFG authorized service center must receive all equipment for which a warranty claim is made. This equipment must be received with all freight and other transportation charges prepaid, accompanied by sufficient proof of purchase.
- Parts and electronic components reconditioned to As New Condition by AFG or its vendors may sometimes be supplied as warranty replacement parts and constitute fulfillment of warranty terms.
- This warranty gives you specific legal rights, and your rights may vary from state to state.

CUSTOMER TECH SUPPORT

For fast and friendly service, please contact one of our trained customer technicians via phone, email or our website.

Customer Tech Support Hotline: 1-877-GOAFG55

Email: comments@advancedfitnessgroup.com

Website: www.advancedfitnessgroup.com

Every employee at AFG takes pride in providing you with a high quality product. We want to know if you have a problem and we want to have an opportunity to correct it for you.

NOTE: *Please read the TROUBLESHOOTING section before contacting Customer Tech Support. To receive additional product information, visit us at www.advancedfitnessgroup.com*



1620 Landmark Dr,
Cottage Grove, WI 53527
Tel: 1.877.GOAFG55