

MATRIX

Strong • Smart • Beautiful

T50x / T50x-U

TREADMILLS
OWNER'S MANUAL

	PAGES
CHAPTER 1: IMPORTANT SAFETY INSTRUCTIONS	
1.1 Before Getting Started	02
1.2 Proper Usage	02
1.3 Read and Save These Instructions	02
1.4 Electrical Requirements	03
1.5 Grounding Instructions	03
CHAPTER 2: PREVENTATIVE MAINTENANCE	
2.1 Recommended Cleaning Tips	03
2.2 Deck and Belt Replacement	03
2.3 Check for Damaged Parts	03
2.4 Adjusting the Belt	04
CHAPTER 3: SERIAL NUMBER LOCATION	
3.1 T50x, T50x-U Treadmill	04
CHAPTER 4: OVERLAY AND WORKOUT DESCRIPTION	
4.1 T50x Console Description	05
4.2 T50x-U Console Description	06
4.3 Manual Workout Operation.....	07
4.4 Operating Level Based Programs	07
4.5 Heart Rate Control Workout Operation	08
4.6 Fitness Test Workout Operation	08
CHAPTER 5: T50x, T50x-U TREADMILL SPECIFICATIONS, PARTS & ASSEMBLY GUIDES	
5.1 Model Specifications	10
5.2 Fasteners and Assembly Tools	11
5.3 Assembly Steps	12

1.1 BEFORE GETTING STARTED

It is the sole responsibility of the purchaser of Matrix Fitness Systems products to instruct all individuals, whether they are the end user or supervising personnel, on proper usage of the equipment.

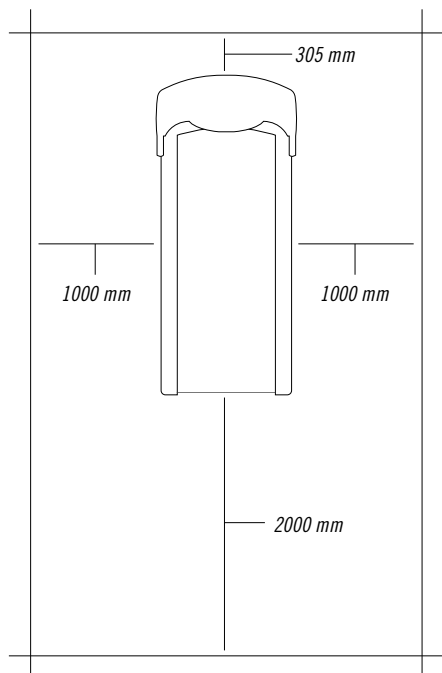
It is recommended that all users of Matrix Fitness Systems exercise equipment be informed of the following information prior to its use.

1.2 PROPER USAGE

- Do not use the equipment in any way other than designed or intended by the manufacturer. It is imperative that all Matrix Fitness Systems equipment is used properly to avoid injury.
- Keep hands and feet clear of moving parts at all times to avoid injury.
- Unsupervised children must be kept away from this equipment.
- Do not wear loose clothing while on equipment.

1.3 READ AND SAVE THESE INSTRUCTIONS

This Treadmill is intended for commercial use. To ensure your safety and protect the equipment, read all instructions before operating the MATRIX treadmill.



Please leave a 78.75" (2000 mm) x 39.50" (1000 mm) landing zone behind the treadmill. This zone is to allow easy access to the treadmill and gives the user an easy exit path from the machine. In case of an emergency, place both hands on the side arm rests to hold yourself up and place your feet onto the side rails.

When using an electrical product, basic precautions should always be followed including the following:

DANGER: To reduce the risk of electric shock: Always unplug this equipment from the electrical outlet immediately after using and before cleaning.

WARNING: To reduce the risk of burns, fire, electrical shock or injury to persons that may be associated with using this product:

- An appliance should never be left unattended when plugged in. Unplug from outlet when not in use and before putting on or taking off parts.
- This product must be used for its intended purpose described in this owner's manual. Do not use other attachments that are not recommend by the manufacturer. Attachments may cause injury.
- To prevent electrical shock, never drop or insert any object into any opening.
- Do not remove the console covers. Service should only be done by an authorized service technician.
- Never operate the treadmill with the air opening blocked. Keep the air opening clean, free of lint and hair.
- Never operate product if it has a damaged cord or plug, if it is working improperly, if it has been damaged, or immersed in water. Return the unit to a service center for examination and repair.
- Do not carry this unit by it's supply cord or use the cord as a handle.
- Keep any power cord away from heated surfaces.
- Close supervision is necessary when treadmill is used by or near children or disable persons.
- Do not use outdoors.
- The treadmill shall be installed on a stable base.
- Do not operate where aerosol (spray) products are being used or when oxygen is being administered.
- To disconnect, turn all controls to the off position, then remove the plug from outlet.
- Connect this treadmill to a properly grounded outlet only.
- This appliance is not intended for use by persons with reduced physical, sensory or mental capabilities, or lack of experience and knowledge unless they have been given supervision or instruction concerning use of the appliance by a person responsible for their safety.
- Children should be supervised to ensure that they do not play with the appliance.
- If the supply cord is damaged, it must be replaced by a special cord or assembly available from the manufacturer or its service agent.

WARNING: Heart rate monitoring systems may be inaccurate. Over exercise may result in serious injury or death. If you feel faint stop exercising immediately.

SAVE THESE INSTRUCTIONS

1.4 ELECTRICAL REQUIREMENTS

For your safety and to ensure good treadmills performance, the ground on this circuit must be no-looped. Before connecting the plug into an electrical outlet, make sure that the voltage requirements match that the voltage of the treadmill.

ATTENTION: Your treadmill is provided with a power cord. Please only use with the power cord as supplied, or with Matrix spare part, otherwise this may result in damage.

1.5 GROUNDING INSTRUCTIONS

The treadmill must be grounded. If it should malfunction or breakdown, grounding provides a path of least resistance for electric current to reduce the risk of electric shock. The treadmill is equipped with a cord having an equipment-grounding conductor and a grounding plug. The plug must be plugged into an appropriate outlet that is properly installed and grounded in accordance with all local codes and ordinances. If the user does not follow these grounding Instructions, the user could void the Matrix limited warranty.

DANGER: Improper connection of the equipment-grounding conductor can result in the risk of electric shock. Check with a qualified electrician or serviceman if the user is in doubt as to whether the product is properly grounded. Do not modify the plug provided with the product if it will not fit the outlet; have a proper outlet installed by a qualified technician.

120V UNITS

The Matrix T50X, T50X-U 120 treadmill is for use on a nominal 120-volt circuit and has a non-looped grounding plug. Make sure that the 120-volt treadmill is connected to an outlet, NEMA 5-20R, having the same configuration as the plug. No adapter should be used with this product.

220V UNITS

The Matrix T50X, T50X-U 220 treadmill is for use on a nominal 220-volt circuit and has a non-looped grounding plug. Make sure that the 220-volt treadmill is connected to an outlet, NEMA 6-20R, having the same configuration as the plug. No adapter should be used with this product.

2.1 RECOMMENDED CLEANING TIPS

1. Use a soft, clean cotton cloth. DO NOT use paper towels to clean surfaces on the treadmill. Paper towels are abrasive and can damage surfaces.
2. Use a mild soap and damp cloth. DO NOT use ammonia based cleaner. This will cause discoloring of the aluminum and plastics it comes into contact with.
3. Do not pour water or cleaning solutions on any surface. This could cause electrocution.
4. Wipe the console and side rails after every use.
5. Brush away any wax deposits from the deck and belt area. This is a common occurrence until the wax is worked into the belt material.
6. Be sure to remove any obstructions from the path of the elevation wheels including power cords.
7. Monthly, unplug the treadmill and remove the motor cover. Check for debris and clean with a dry cloth or small vacuum nozzle.

WARNING: Do not plug the treadmill in until the motor cover has been reinstalled.

CAUTION: Be sure to have proper assistance to install and move the unit in order to avoid injury or damage to the treadmill.

2.2 DECK AND BELT REPLACEMENT

One of the most common wear and tear items on a treadmill is the deck and belt combination. If these two items are not properly maintained they can cause damage to other components. This product has been provided with the most advanced maintenance free lubricating system on the market. The Matrix Ultimate Deck™ does not require any maintenance, other than cleaning and belt tightening, for up to 25,000 miles.

WARNING: Do not run the treadmill while cleaning the belt and deck. This can cause serious injury and can damage the machine.

Maintain the belt and deck by wiping the sides of the belt and deck with a clean cloth. The user can also wipe under the belt 2 inches on both sides removing any dust or debris.

The deck can be flipped and reinstalled or replaced by an authorized service technician. Please contact Matrix Fitness Systems for more information.

2.3 CHECK FOR DAMAGED PARTS

DO NOT use any equipment that is damaged or has worn or broken parts. Use only replacement parts supplied by Matrix Fitness Systems.

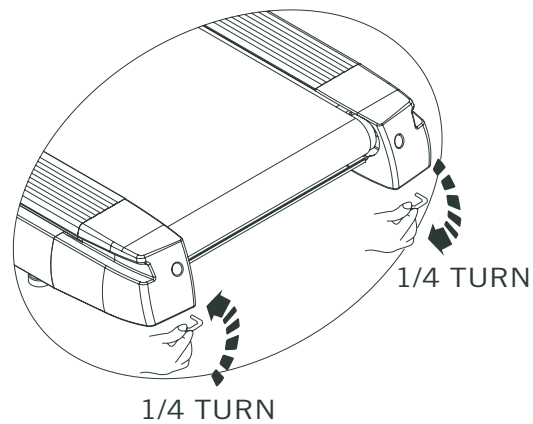
MAINTAIN LABELS AND NAMEPLATES. Do not remove labels for any reason. They contain important information. If unreadable or missing, contact Matrix Fitness Systems for a replacement or an authorized service provider.

MAINTAIN ALL EQUIPMENT Preventative maintenance is the key to smooth operating equipment, as well as keeping the users liability to a minimum. Equipment needs to be inspected at regular intervals. Defective components must be replaced immediately. Improperly working equipment must be kept out of use until it is repaired. Ensure that any person(s) making adjustments or performing maintenance or repair of any kind is qualified to do so. Matrix Fitness Systems will provide service and maintenance training at our corporate facility upon request or in the field if proper arrangements are made.

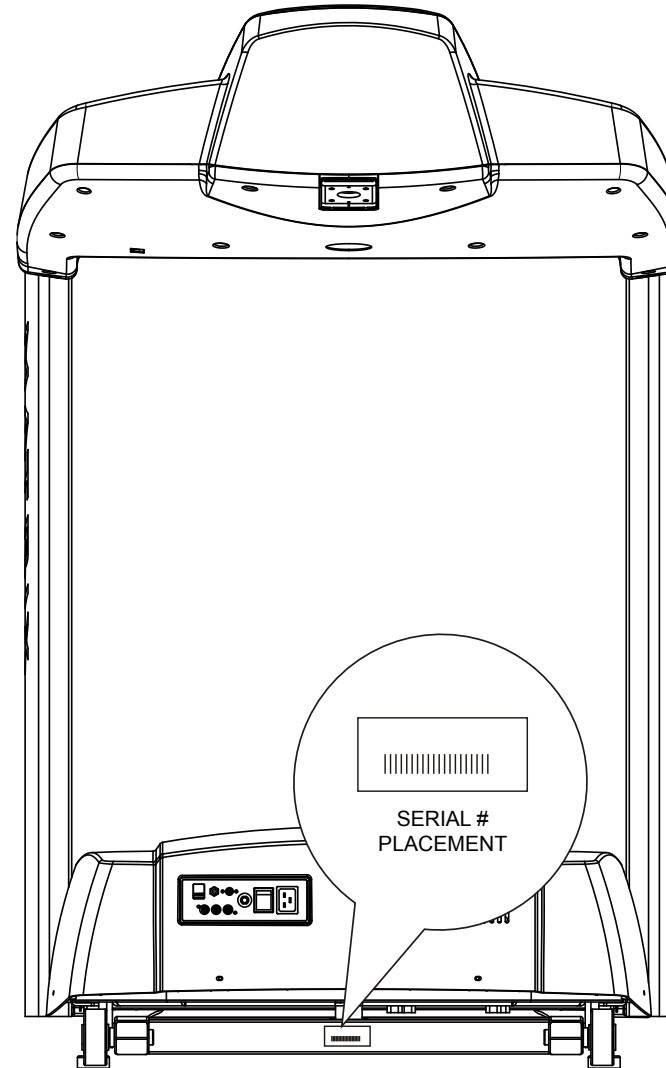
2.4 ADJUSTING THE BELT

After placing the treadmill in the position it will be used, the belt must be checked for proper tension and centering. The belt might need to be adjusted after the first two hours of use. Temperature, humidity, and use cause the belt to stretch at different rates. If the belt starts to slip when a user is on it, be sure to follow the directions below.

- STEP 1** Locate the two hex head bolts on the rear of the treadmill. The bolts are located at each end of the frame at the back of the treadmill. These bolts adjust the rear belt roller. Do not adjust until the treadmill is on. This will prevent over tightening of one side.
- STEP 2** The belt should have equal distance on either side between the frame. If the belt is touching one side, do not start the treadmill. Turn the bolts counter clockwise approximately one full turn on each side. Manually center the belt by pushing the belt from side to side. Tighten the bolts the same amount as when the user loosened them, approximately one full turn. Inspect the belt for damage.
- STEP 3** While the treadmill is running at 5 kph, observe the belt position. If it is moving to the right, tighten the right bolt by turning it clockwise ¼ turn, and loosen the left bolt ¼ turn. If it is moving to the left, tighten the left bolt by turning it clockwise ¼ turn and loosen the right ¼ turn. Repeat Step 3 until the belt remains centered for several minutes.
- STEP 4** Check the tension of the belt. The belt should be very snug. When a person walks or runs on the belt, it should not hesitate or slip. If this occurs, tighten the belt by turning both bolts clockwise ¼ turn. Repeat if necessary.



T50x, T50x-U TREADMILL



4.1 T50x CONSOLE DESCRIPTION



- WORKOUT KEYS:** Simple program view and selection buttons.
- QUICK START:** One touch Start and Quick Start.
- ENTER:** To confirm each program setting.
- UP/DOWN INCLINE:** Easy information and incline selection.
- UP/DOWN SPEED:** Easy information and speed selection.
- EMERGENCY STOP / IMMOBILIZATION:** To stop all functions and immobilize the unit. The emergency stop on this treadmill must be returned to its original position in order to allow normal operation of the unit.
- STOP:** Ends workout and shows workout summary data.
- COOL DOWN:** Puts treadmill into Cool Down mode. Cool Down time is dependent on the length of the workout. Workouts 19 minutes and shorter will have a cool down length of 2 minutes. Workouts 20 minutes and longer will have a cool down length of 5 minutes.
- CLEAR:** Use the CLEAR key to clear data not yet entered during the workout setup.
- NUMBER KEYS:** Press the numbers to input exercise Time, Weight, Level, Age, Heart Rate, Speed and Incline.

4.2 T50x-U CONSOLE DESCRIPTION



WORKOUT KEYS: Simple program view and selection buttons.

QUICK START: One touch Start and Quick Start.

ENTER: To confirm each program setting.

UP/DOWN INCLINE: Easy information and incline selection.

UP/DOWN SPEED: Easy information and speed selection.

EMERGENCY STOP / IMMOBILIZATION: To stop all functions and immobilize the unit. The emergency stop on this treadmill must be returned to its original position in order to allow normal operation of the unit.

STOP: Ends workout and shows workout summary data.

COOL DOWN: Puts treadmill into Cool Down mode. Cool Down time is dependent on the length of the workout. Workouts 19 minutes and shorter will have a cool down length of 2 minutes. Workouts 20 minutes and longer will have a cool down length of 5 minutes.

Use the **WORKOUT KEYS** to enter the program, or use **RIGHT / LEFT** arrow keys to scroll to the desired program. The program name is displayed in the **PROMPT AREA**. Use the **RIGHT / LEFT ARROW** keys to scroll to desired parameter values displayed in the **PROMPT AREA**. Press the **ENTER** key to confirm each selection. Follow the steps to set up each workout.

NOTE: : the **PROMPT AREA** is located in the bottom of **WORKOUT PROFILE WINDOW**. Before an exercise session, each parameter prompt will appear here depending on different programs.

4.3 MANUAL WORKOUT OPERATION

QUICK START OPERATION

Press the **QUICK START** button and the treadmill will enter into a manual mode of operation. All energy expenditure values will be calculated using the default weight measurement.

MANUAL WORKOUT OPERATION

Manual is a workout that allows you to manually adjust the speed and incline values at anytime. The manual workout also contains a setup screen which allows you to input your weight to help calculate a more accurate caloric burn rate.

To enter into this workout on a T50x or T50x-U, use the following guidelines:

1. Press the "MANUAL" key to enter the program.
2. "SELECT TIME" using the **RIGHT / LEFT ARROW** keys, and then press **ENTER**.
3. "SELECT WEIGHT" using the **RIGHT / LEFT ARROW** keys, and then press **ENTER**.
4. Press **QUICK START** to begin the workout.

4.4 OPERATING LEVEL BASED PROGRAMS

Your Matrix treadmill offers a variety of level-based workouts to challenge users of all fitness levels. The following information will briefly explain the workout and how to program the treadmill for each workout selection.

WARM UP

1. Press the "WARM UP" key to enter the program.
2. "SELECT TIME" using the **RIGHT / LEFT ARROW** keys, and then press **ENTER**.
3. Press **QUICK START** to begin the workout.

INTERVAL+**(A) HILL INTERVAL**

1. Press the "INTERVAL+" key and use the **RIGHT / LEFT ARROW** keys to select "HILL INTERVAL"
2. "SELECT LEVEL" using the **RIGHT / LEFT ARROW** keys, and then press **ENTER**.
3. "SELECT TIME" using the **RIGHT / LEFT ARROW** keys, and then press **ENTER**.
4. "SELECT WEIGHT" using the **RIGHT / LEFT ARROW** keys, and then press **ENTER**.
5. Press **QUICK START** to begin the workout.

(B) RANDOM HILL

1. Press the "INTERVAL+" key and use the **RIGHT / LEFT ARROW** keys to select "RANDOM HILL".
2. "SELECT TIME" using the **RIGHT / LEFT ARROW** keys, and then press **ENTER**.
3. "SELECT WEIGHT" using the **RIGHT / LEFT ARROW** keys, and then press **ENTER**.
4. Press **QUICK START** to begin the workout.

MULTI FX+**(A) BRAVE HILL, LAKESIDE & FOREST**

1. Press the "MULTI FX+" key and use the **RIGHT / LEFT ARROW** keys to select "BRAVE HILL, LAKESIDE, or FOREST".
2. "SELECT TIME" using the **RIGHT / LEFT ARROW** keys, and then press **ENTER**.
3. "SELECT LEVEL" using the **RIGHT / LEFT ARROW** keys, and then press **ENTER**.
4. "SELECT START SPEED" using the **RIGHT / LEFT ARROW** keys, and then press **ENTER**.
5. "SELECT WEIGHT" using the **RIGHT / LEFT ARROW** keys, and then press **ENTER**.
6. Press **QUICK START** to begin the workout.

(B) DESERT & PLATEAU

1. Press the "MULTI FX+" key and use the **RIGHT / LEFT ARROW** keys to select "DESERT, or PLATEAU".
2. "SELECT TIME" using the **RIGHT / LEFT ARROW** keys, and then press **ENTER**.
3. "SELECT START SPEED" using the **RIGHT / LEFT ARROW** keys, and then press **ENTER**.
4. "SELECT WEIGHT" using the **RIGHT / LEFT ARROW** keys, and then press **ENTER**.
5. Press **QUICK START** to begin the workout

ATTENTION: The treadmill is going to be standby if there is no one use the machine 5 minutes later, the owner can enter engineering mode and choose "ErP mode" to make a customized time. Maximum: 30 minutes, Minimum: 1 minute.

GOAL+

(A) TIME GOAL

1. Press the "GOAL+" key and use the RIGHT / LEFT ARROW keys to select "TIME GOAL".
2. "SELECT TIME" using the RIGHT / LEFT ARROW keys, and then press ENTER.
3. "SELECT START INCLINE" using the RIGHT / LEFT ARROW keys, and then press ENTER.
4. "SELECT START SPEED" using the RIGHT / LEFT ARROW keys, and then press ENTER.
5. "SELECT WEIGHT" using the RIGHT / LEFT ARROW keys, and then press ENTER.
6. Press QUICK START to begin the workout.

(B) DISTANCE GOAL

1. Press the "GOAL+" key and use the RIGHT / LEFT ARROW keys to select "DISTANCE GOAL".
2. "SELECT DISTANCE" using the RIGHT / LEFT ARROW keys, and then press ENTER.
3. "SELECT START INCLINE" using the RIGHT / LEFT ARROW keys, and then press ENTER.
4. "SELECT START SPEED" using the RIGHT / LEFT ARROW keys, and then press ENTER.
5. "SELECT WEIGHT" using the RIGHT / LEFT ARROW keys, and then press ENTER.
6. Press QUICK START to begin the workout.

(C) CALORIES GOAL

1. Press the "GOAL+" key and use the RIGHT / LEFT ARROW keys to select "CALORIES GOAL".
2. "SELECT DISTANCE" using the RIGHT / LEFT ARROW keys, and then press ENTER.
3. "SELECT START INCLINE" using the RIGHT / LEFT ARROW keys, and then press ENTER.
4. "SELECT START SPEED" using the RIGHT / LEFT ARROW keys, and then press ENTER.
5. "SELECT WEIGHT" using the RIGHT / LEFT ARROW keys, and then press ENTER.
6. Press QUICK START to begin the workout.

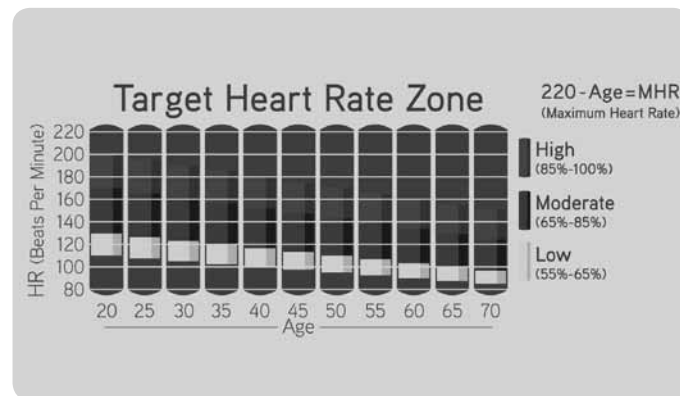
4.5 HEART RATE CONTROL WORKOUT OPERATION

Your Matrix treadmill offers a heart rate control workout mode. The heart rate control workout mode allows the user to program their desired heart rate zone and maximum allowable incline and the treadmill will automatically adjust the incline based upon the user's heart rate. The heart rate zone is calculated using the following equation: $(220 - \text{Age}) \times \% = \text{target heart rate zone}$. The user must wear a telemetric heart rate monitor or continually hold onto the contact heart rate grips for this workout.

HEARTRATE+

TARGET HR & WEIGHT LOSS

1. Press the "HEARTRATE+" key and use the RIGHT / LEFT ARROW keys to select "TARGET HR" or "WEIGHT LOSS".
2. "SELECT AGE" using the RIGHT / LEFT ARROW keys, and then press ENTER.
3. "SELECT HR" using the RIGHT / LEFT ARROW keys, and then press ENTER.
4. "SELECT HR CONTROL" using the RIGHT / LEFT ARROW keys, and then press ENTER.
5. If SPEED is selected, the INSTRUCTION CENTER will display "SET MAX SPEED". Use the RIGHT / LEFT ARROW key to set MAX SPEED, and then press ENTER.
6. If INCLINE is selected, the INSTRUCTION CENTER will display "SET MAX INCLINE". Use the RIGHT / LEFT ARROW key to set MAX INCLINE, and then press ENTER.
7. "SELECT TIME" using the RIGHT / LEFT ARROW keys, and then press ENTER.
8. "SELECT WEIGHT" using the RIGHT / LEFT ARROW keys, and then press ENTER.
9. Press QUICK START to begin the workout.



4.6 FITNESS TEST WORKOUT OPERATION

The Matrix T50x & T50x-U treadmills offer a variety of fitness protocol.

FIT TRAINER+

FIT TEST & COOPER TEST

1. Press the "FIT TRAINER+" key and use the UP / DOWN ARROW keys to select "FIT TEST" or "COOPER TEST"
2. "SELECT GENDER" using the UP / DOWN ARROW keys, and then press ENTER.
3. "SELECT AGE" using the UP / DOWN ARROW keys, and then press ENTER.
4. "SELECT WEIGHT" using the UP / DOWN ARROW keys, and then press ENTER.
5. Press QUICK START to begin the workout.

4.6 FITNESS TEST WORKOUT OPERATION

The tables below list Fit Test and Cooper Test results.

FIT TEST'S RESULT FOR MALE

Male		Estimated VO2 Max (ml/kg/min) Per Age Category				
Age	Rating	Poor	Fair	Average	Good	Excellent
15 - 19		< 42	48 - 51	52 - 57	56 - 61	> 61
20 - 29		< 38	38 - 43	44 - 51	52 - 57	> 57
30 - 39		< 34	34 - 39	40 - 47	48 - 51	> 51
40 - 49		< 30	30 - 35	36 - 43	44 - 48	> 48
50 - 59		< 25	25 - 31	32 - 39	40 - 44	> 44
60+		< 21	21 - 26	27 - 35	36 - 40	> 40

FIT TEST'S RESULT FOR FEMALE

Female		Estimated VO2 Max (ml/kg/min) Per Age Category				
Age	Rating	Poor	Fair	Average	Good	Excellent
15 - 19		< 30	30 - 36	37 - 45	46 - 52	> 52
20 - 29		< 28	28 - 34	35 - 43	44 - 50	> 50
30 - 39		< 27	27 - 33	34 - 41	42 - 46	> 48
40 - 49		< 25	25 - 31	32 - 40	41 - 46	> 46
50 - 59		< 21	21 - 27	28 - 36	37 - 42	> 42
60+		< 17	17 - 23	24 - 31	32 - 37	> 37

COOPER TEST'S RESULT FOR MALE

Male		Estimated VO2 Max (ml/kg/min) Per Age Category					
Age	Rating	Very Poor	Poor	Fair	Good	Excellent	Superior
15 - 19		< 35.0	35.0 - 38.3	38.4 - 45.1	45.2 - 50.9	51.0 - 55.9	> 55.9
20 - 29		< 33.0	33.0 - 36.4	36.5 - 42.4	42.5 - 46.4	46.5 - 52.4	> 52.4
30 - 39		< 31.5	31.5 - 35.4	35.5 - 40.9	41.0 - 44.9	45.0 - 49.4	> 49.4
40 - 49		< 30.2	30.2 - 33.5	33.6 - 38.9	39.0 - 43.7	43.8 - 48.0	> 48.0
50 - 59		< 26.1	26.1 - 30.9	31.0 - 35.7	35.8 - 40.9	41.0 - 45.3	> 45.3
60+		< 20.5	20.5 - 26.0	26.1 - 32.2	32.3 - 36.4	36.5 - 44.2	> 44.2

COOPER TEST'S RESULT FOR FEMALE

Female		Estimated VO2 Max (ml/kg/min) Per Age Category					
Age	Rating	Very Poor	Poor	Fair	Good	Excellent	Superior
15 - 19		< 25.0	25.0 - 30.9	31.0 - 34.9	35.0 - 38.9	39.0 - 41.9	> 41.9
20 - 29		< 23.6	23.6 - 28.9	29.0 - 32.9	33.0 - 36.9	37.0 - 41.0	> 41.0
30 - 39		< 22.8	22.8 - 26.9	27.0 - 31.4	31.5 - 35.6	35.7 - 40.0	> 40.0
40 - 49		< 21.0	21.0 - 24.4	24.5 - 28.9	29.0 - 32.8	32.9 - 36.9	> 36.9
50 - 59		< 20.2	20.2 - 22.7	22.8 - 26.9	27.0 - 31.4	31.5 - 35.7	> 35.7
60+		< 17.5	17.5 - 20.1	20.2 - 24.4	24.5 - 30.2	30.3 - 31.4	> 31.4

5.1 T50x, T50x-U MODEL SPECIFICATIONS

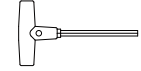





Model Name	T50x
Console	
Display type	Workout Profile Window – 7" blue backlit graphic LCD display Instruction Center – 14 – red dot-matrix LEDs display Informational Display – 3 numeric 7-segment display
Display feedback	Time, Speed, Distance, Calories, Incline, Level, Heart Rate, METs, Profile
Workouts	Manual, Interval + (Hill Interval, Random Hill), Multi FX + (Brave Hill, Lakeside, Forest, Desert, Plateau), Goal + (Time Goal, Distance Goal, Calories Goal), Heart Rate + (Target HR, Weight Loss), Fit Trainer + (Fit Test, Cooper Test), Warm Up
On-the-fly program change	Yes
Telemetric HR Receiver	Yes
Contact HR sensors	Yes
Cushion system	Ultimate Deck™ cushioning system
Safety stop	Emergency button with lanyard clip
Language options	English, Italian, German, Spanish, French, Dutch, Portuguese, Japanese
Tech Specs	
Drive motor	4.2 HP AC motor
Motor control system	Club Treadmill AC drive
Speed range	0.8 – 20 km/h / 0.5 – 12 mph
Incline range	0 – 15%
Deck type	1" hard-wax reversible deck
Belt area	51 x 152 cm / 20" x 60"
Running type	2-ply commercial belt
Rollers	7.6 cm / 3" Diameter, precision-crowned steel, front and back
Side handrails	56 cm (22") long, cantilevered, integrated Speed and Incline Control
Dimensions (LxWxH)	216 x 86 x 140 cm / 84" x 34" x 55"
Product weight	165 kg / 365 lbs
Maximum user weight	220 / 240 voltage version : 182 kg / 400 lbs 200 voltage version : 159 kg / 350 lbs
Special Features	
Integrated accessory tray	Yes
Integrated reading rack	Yes
Maintenance lamp	Yes
Swift Controls™ panel	Yes
HR indicator light	Yes
Speed leading light	Yes
Entertainment Solutions	
FITCONNEXION™ ready	Yes
Networking capabilities	CSAFE ready
Number keys	Yes

Model Name	T50x-U
Console	
Display type	Workout Profile Window – 7" blue backlit graphic LCD display Instruction Center – 14 – red dot-matrix LEDs display Informational Display – 3 numeric 7-segment display
Display feedback	Time, Speed, Distance, Calories, Incline, Level, Heart Rate, METs, Profile
Workouts	Manual, Interval + (Hill Interval, Random Hill), Multi FX + (Brave Hill, Lakeside, Forest, Desert, Plateau), Goal + (Time Goal, Distance Goal, Calories Goal), Heart Rate + (Target HR, Weight Loss), Fit Trainer + (Fit Test, Cooper Test), Warm Up
On-the-fly program change	Yes
Telemetric HR Receiver	Yes
Contact HR sensors	Yes
Cushion system	Ultimate Deck™ cushioning system
Safety stop	Emergency button with lanyard clip
Language options	English, Italian, German, Spanish, French, Dutch, Portuguese, Japanese
Tech Specs	
Drive motor	4.2 HP AC motor
Motor control system	Club Treadmill AC drive
Speed range	0.8 – 20 km/h / 0.5 – 12 mph
Incline range	0 – 15%
Deck type	1" hard-wax reversible deck
Belt area	51 x 152 cm / 20" x 60"
Running type	2-ply commercial belt
Rollers	7.6 cm / 3" Diameter, precision-crowned steel, front and back
Side handrails	56 cm (22") long, cantilevered, integrated Speed and Incline Control
Dimensions (LxWxH)	216 x 86 x 140 cm / 84" x 34" x 55"
Product weight	165 kg / 365 lbs
Maximum user weight	220 / 240 voltage version : 182 kg / 400 lbs 200 voltage version : 159 kg / 350 lbs
Special Features	
Integrated accessory tray	Yes
Integrated reading rack	Yes
Maintenance lamp	Yes
Swift Controls™ panel	Yes
HR indicator light	Yes
Speed leading light	Yes
Entertainment Solutions	
FITCONNEXION™ ready	Yes
Networking capabilities	CSAFE ready
Number keys	No

* Product specifications subject to change without notice.

5.2 T50x, T50x-U MODEL REQUIRED FASTENERS & ASSEMBLY TOOLS

FASTENERS & ASSEMBLY TOOLS

PARTS NO.	DESCRIPTION	QUANTITY	SKETCH
Z05	8mm T-SHAPED WRENCH	1	
Z50	WASHER	8	
Z51	SOCKET HEAD SCREW (M10 x 1.5P x 25L)	8	
Z52	SOCKET HEAD SCREW (LOW HEAD) (M8 x 1.25P x 15L)	4	
Z53	CROSS-HEAD BUTTON SCREW (M5 x 0.8P x 12L)	2	
Z54	SOCKET HEAD CAP SCREW (ULTRA LOW HEAD) (M3 x 0.5P x 15L)	4	

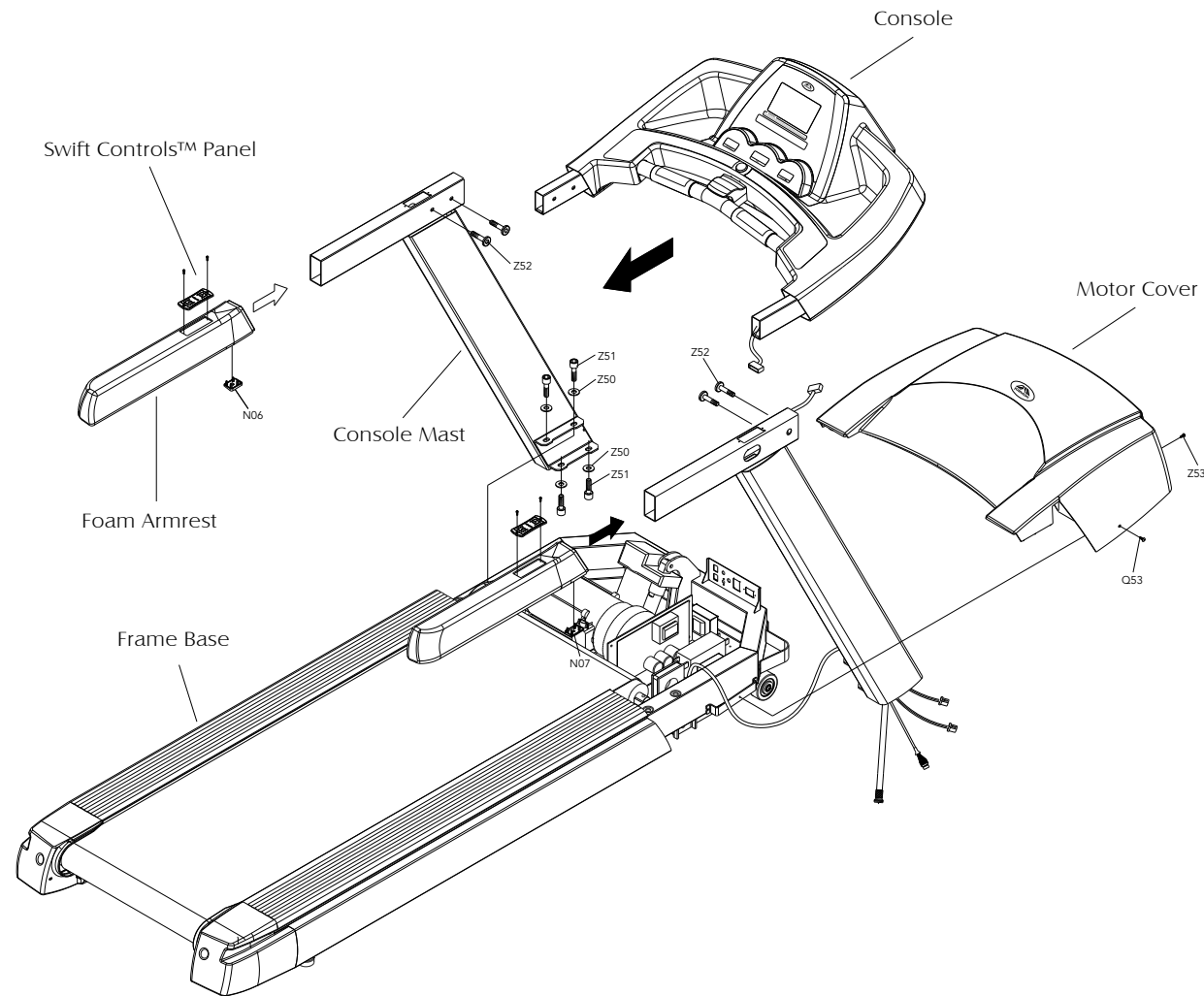
ASSEMBLY INSTRUCTIONS

Please make sure that the power plug is not plugged into the wall outlet while completing the following procedure. To ensure correct assembly of the T50X and T50X-U, carefully read and follow these steps:

ATTENTION: After installation is completed, the treadmill will need to be calibrated by using the AUTO-CHECK function. If this is not done, the treadmill's speed and incline values may be incorrect and damage the treadmill. Do not stand on the belt when performing the AUTO-CHECK function.

5.2 T50x, T50x-U MODEL REQUIRED FASTENERS & ASSEMBLY TOOLS

ASSEMBLY EXPLODED DIAGRAM



5.3 T50x, T50x-U MODEL ASSEMBLY STEPS

• ATTENTION

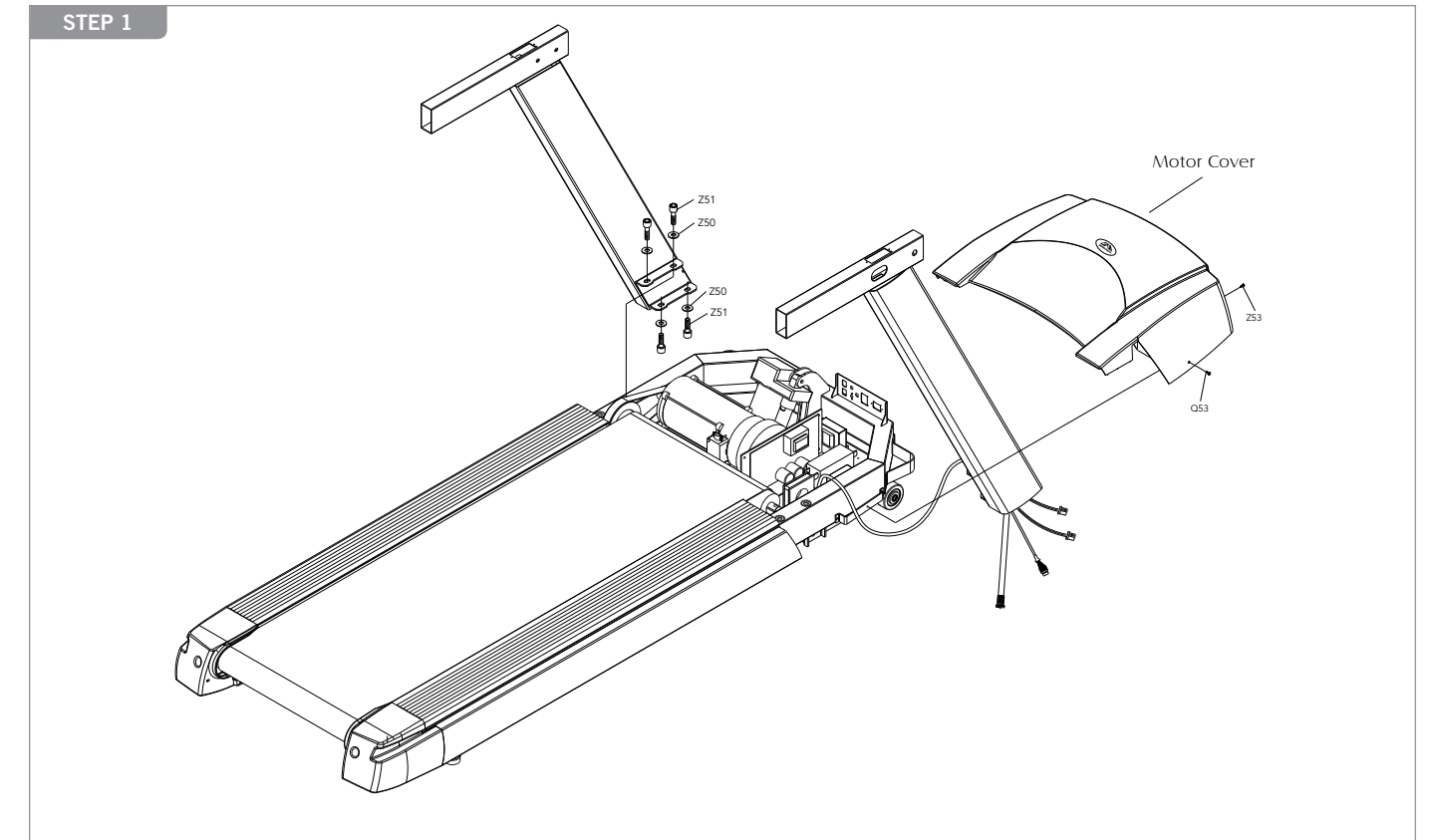
After assembly and installation is complete the treadmill will need to be calibrated using the AUTO-CHECK feature found in the manager mode screen. Please refer to the Matrix treadmill service manual for instructions on how to enter manager mode. **DO NOT stand on the belt while the auto-calibration sequence is in progress.**

Prior to assembling the treadmill, unpack all of the contents of the box and make sure that all necessary components are present. Review the contents of the hardware package for completeness. Contact Matrix customer service to report any missing items.

• ASSEMBLY INSTRUCTIONS

Please make sure that the power plug is not plugged into the wall outlet while completing the following procedure. To ensure correct assembly of the treadmill, carefully read and follow these steps:

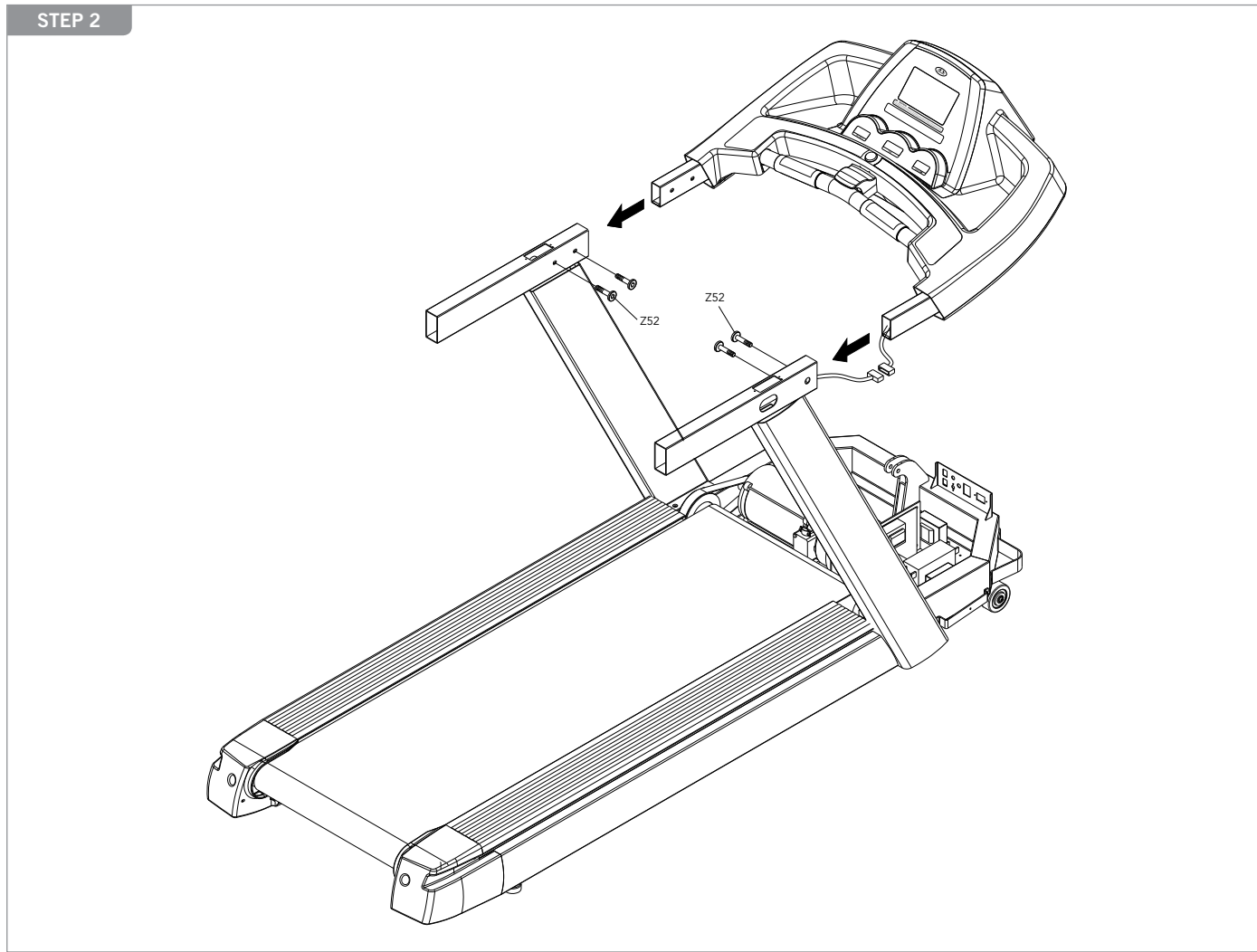
STEP 1



Unscrew the screw (Q53) on each side, and keep the screws. Remove the motor cover. Pull out the console, antenna coaxial signal and C-SAFE cables and route them through the right console mast. Place the right console mast and then the left console mast in the console support brackets. Secure the right and left bracket with the 4 screws and 2 washers provided (Z51, Z50). Make sure these screws are tightened.

5.3 T50x, T50x-U MODEL ASSEMBLY STEPS

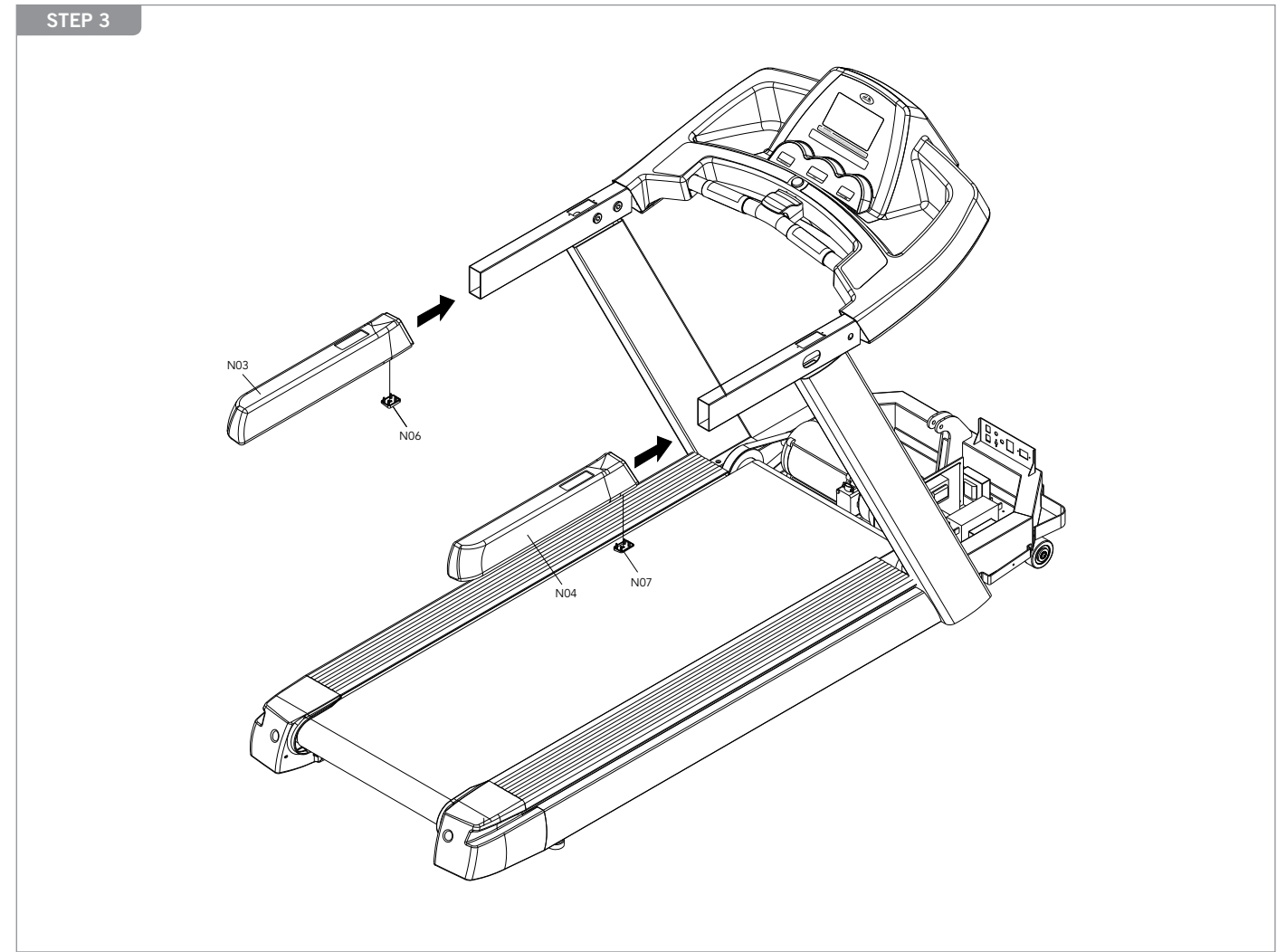
STEP 2



Connect the console cables from the console set to the motor control board cables. Secure the console set with 2 screws (Z52) on each side.

5.3 T50x, T50x-U MODEL ASSEMBLY STEPS

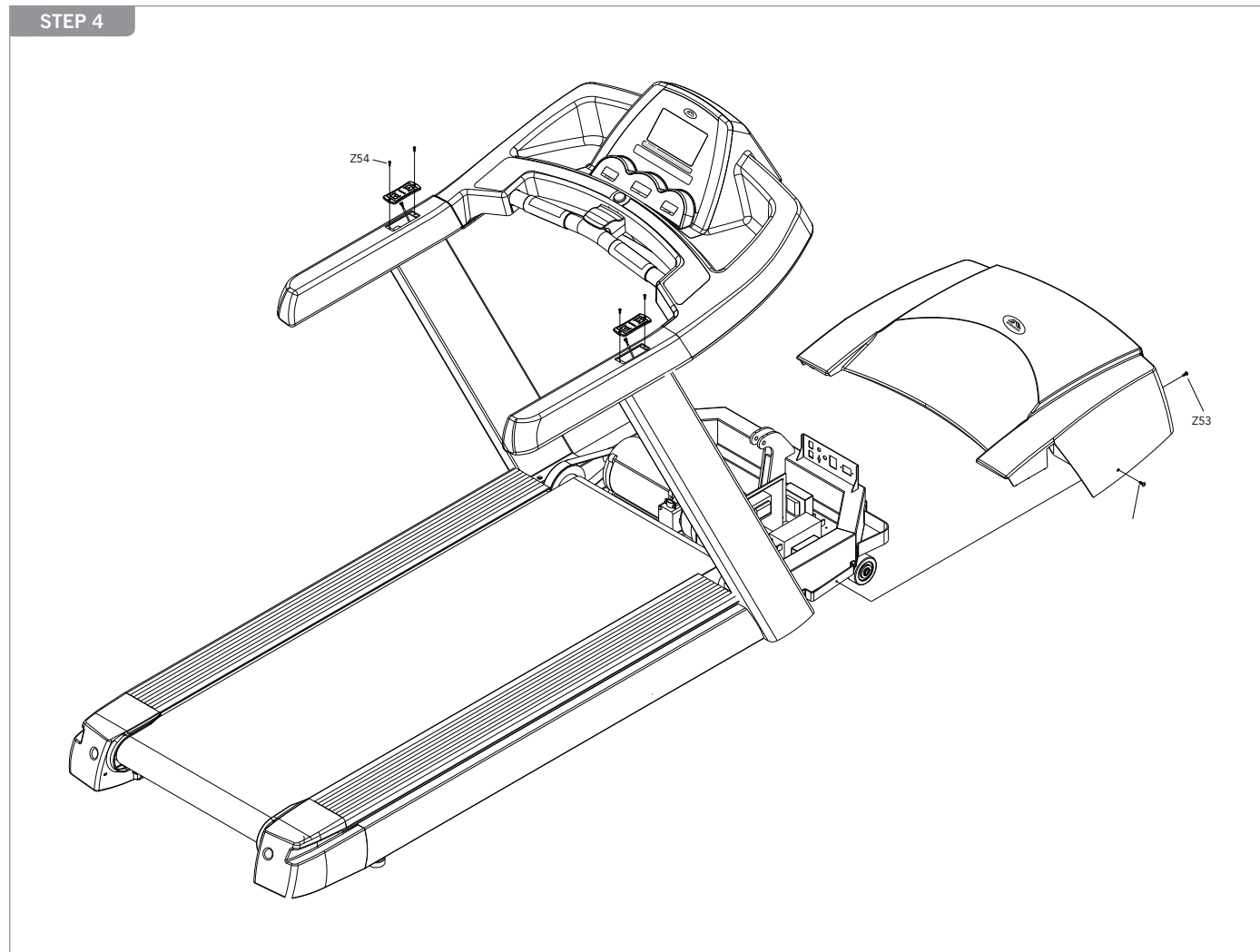
STEP 3



Put the foam armrests (N03, N04) into the armrest frame. Use the caps (N06, N07) to secure them.
Note: The caps separate into right and left, make sure these caps are in the correct position.

5.3 T50x, T50x-U MODEL ASSEMBLY STEPS

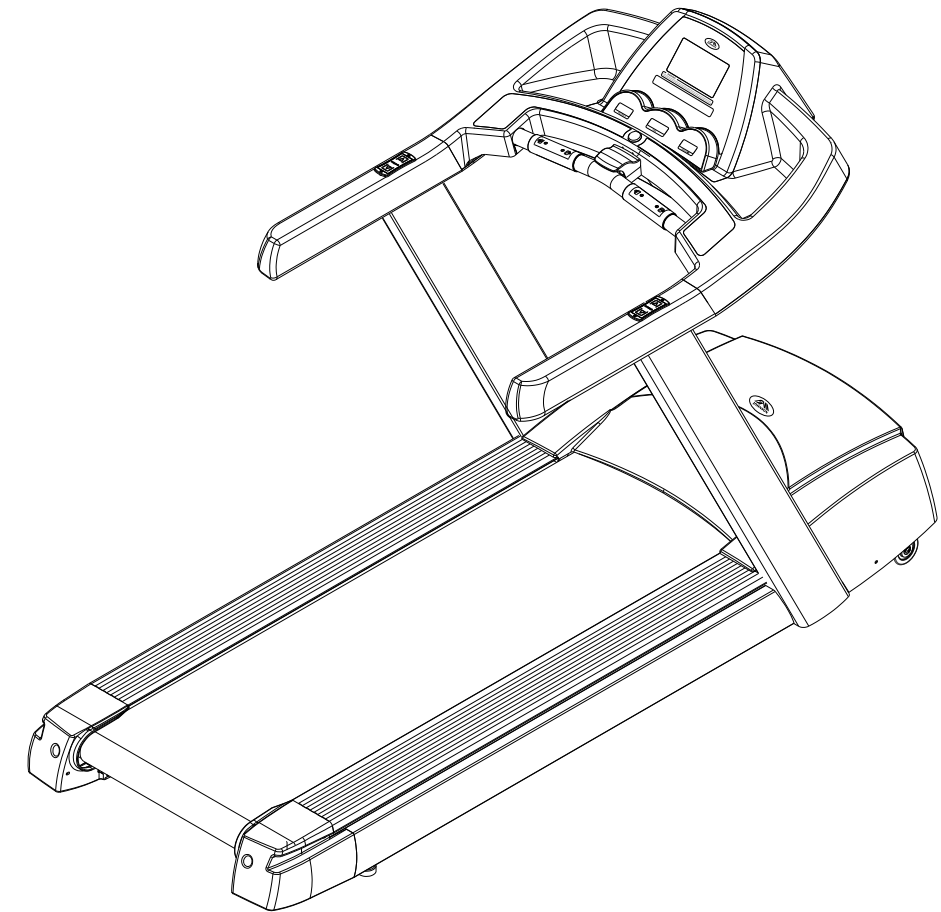
STEP 4



1. Connect the speed and incline Swift Controls™ cables with the control panels. Secure the Swift Controls™ panels onto the armrests with the 2 screws (Z54) on each side. **Note: The Swift Controls™ panels separate into right for SPEED control and left for INCLINE control, make sure these panels are in the correct position.**
2. Place the motor cover onto the treadmill front end and secure with the screws (Q53) included in the motor cover and the screws (Z53) provided in the hardware kit. Plug the power cable into the outlet.

5.3 T50x, T50x-U MODEL ASSEMBLY STEPS

Assembly is completed and the auto-calibration sequence must be run at this time.



ASSEMBLY COMPLETED

MATRIX

Strong • Smart • Beautiful

MATRIX FITNESS SYSTEMS CORP.

1600 LANDMARK DRIVE COTTAGE GROVE WI 53527 USA

TOLL FREE 866.693.4863 www.matrixfitness.com FAX 608.839.8687

REV. 1.2

