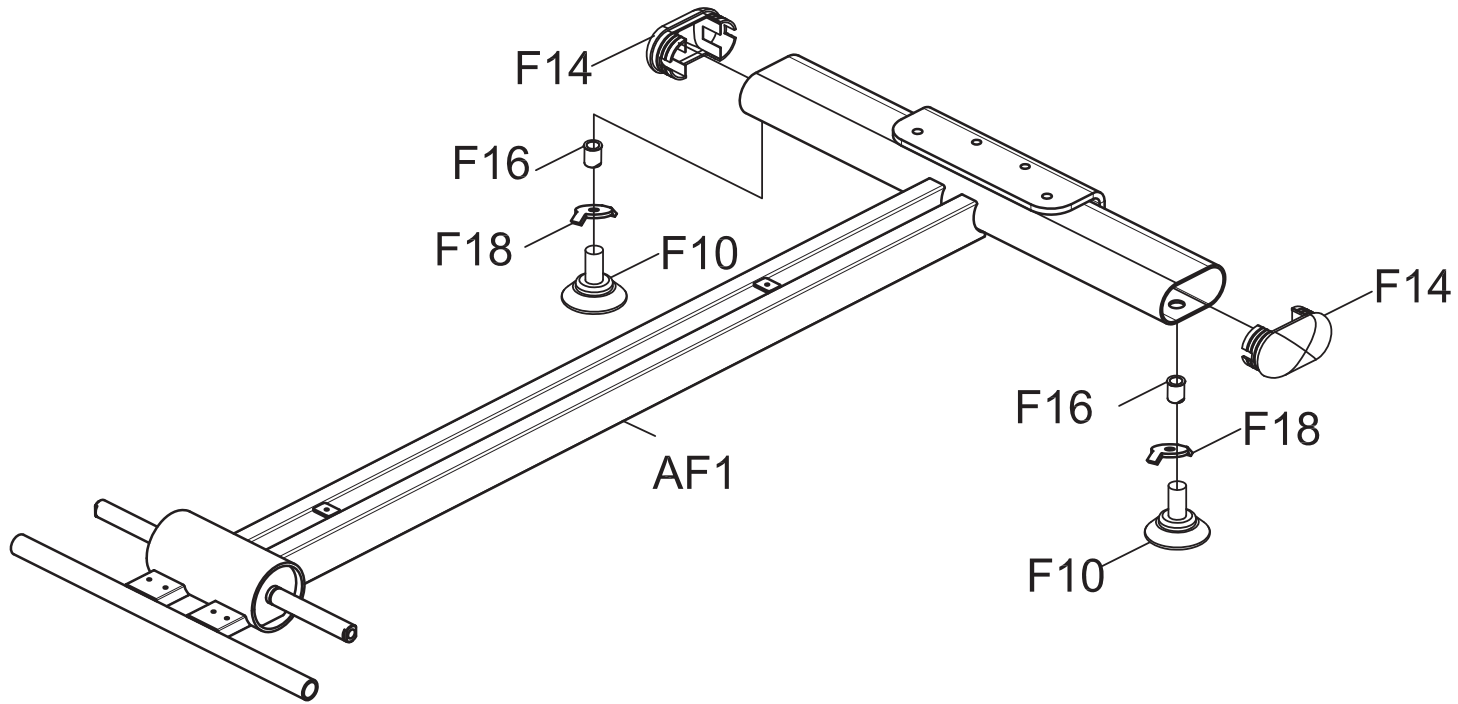
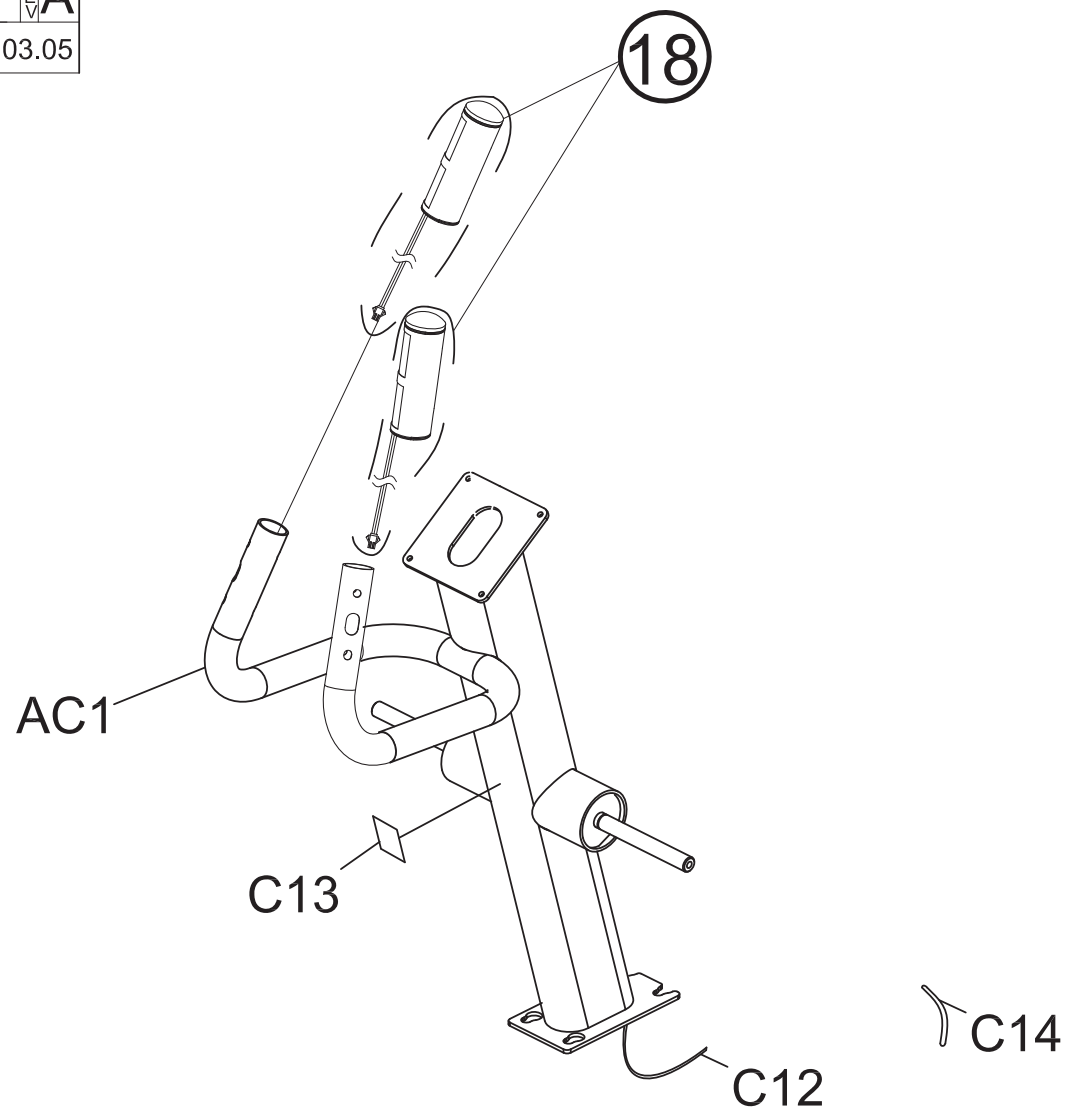


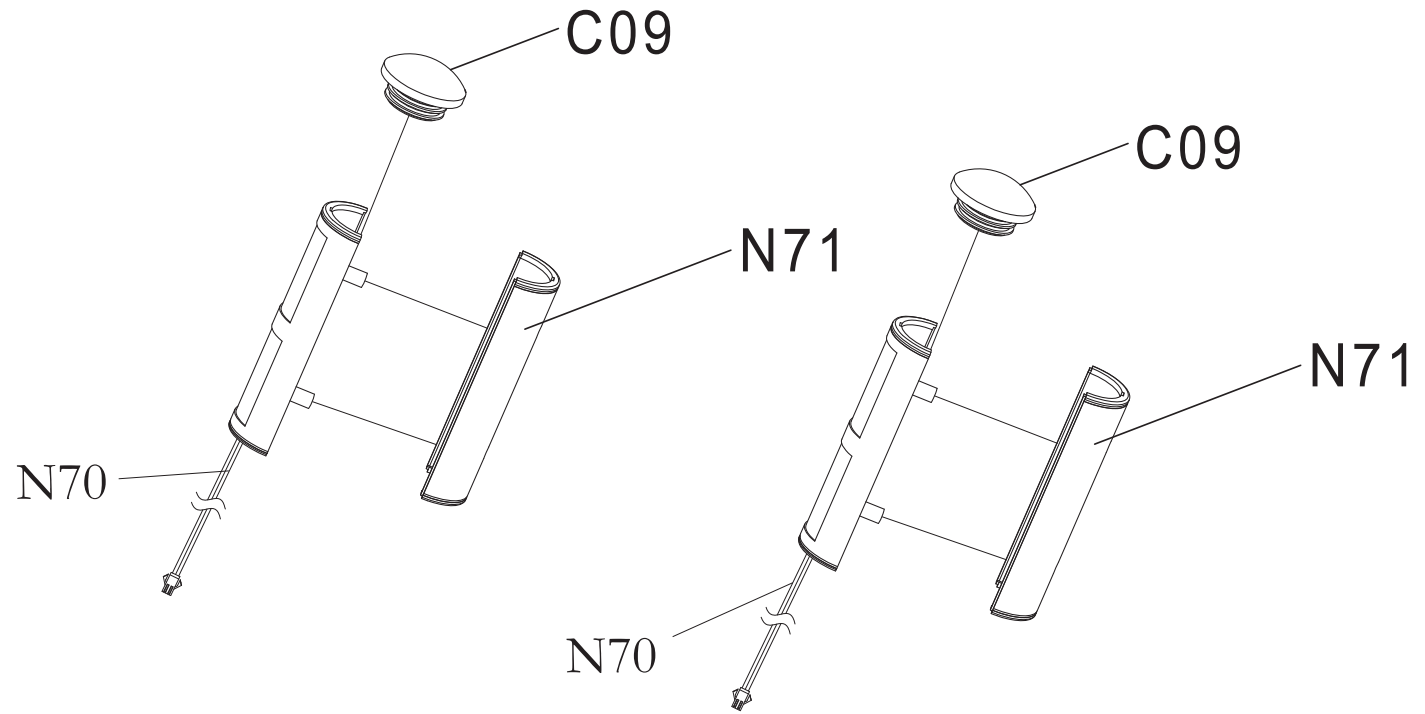
DRAWING NO	EP566-A12		
PART NAME	Rear frame set		
PART NO	1000229044	REV	A
APPROVE		DATE	2012.03.05



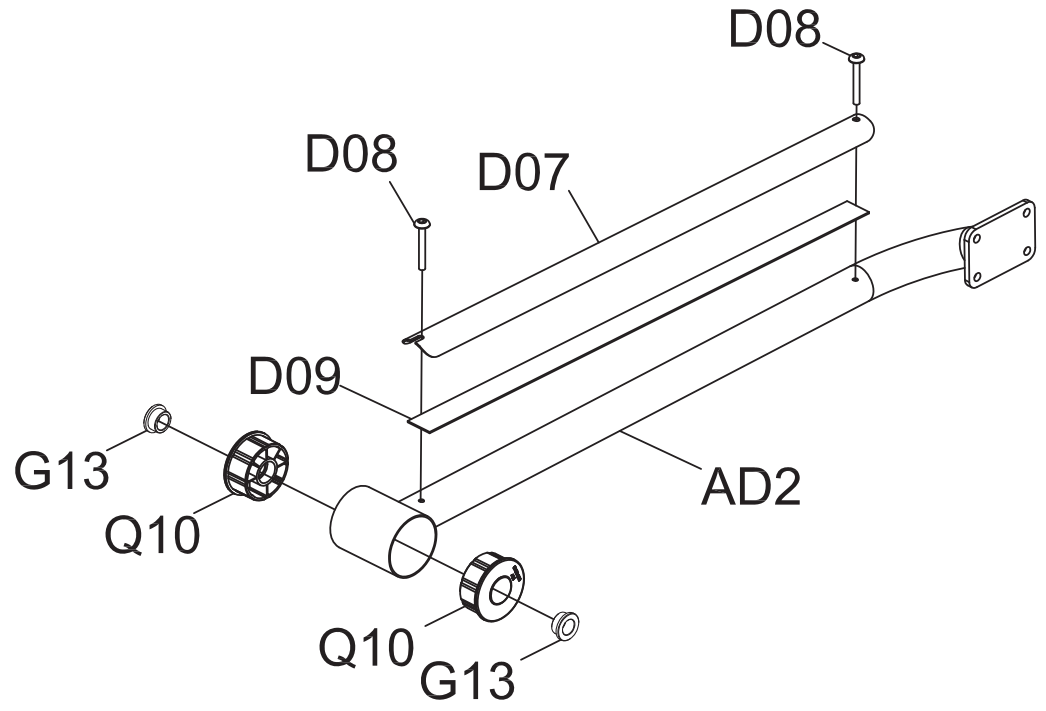
DRAWING NO	EP566-A13		
PART NAME	Console mast set		
PART NO	1000229046	REV	A
APPROVE		DATE	2012.03.05



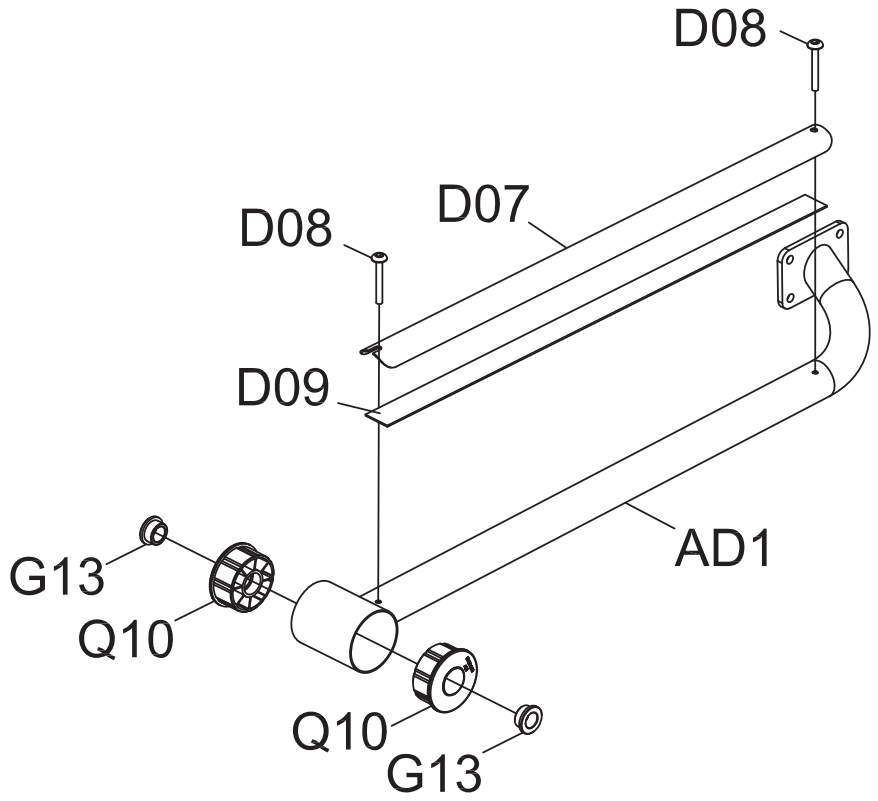
DRAWING NO	EP554-A11		
PART NAME	HP GRIP SET		
PART NO	1000216888	REV	B
APPROVE		DATE	2012.03.26



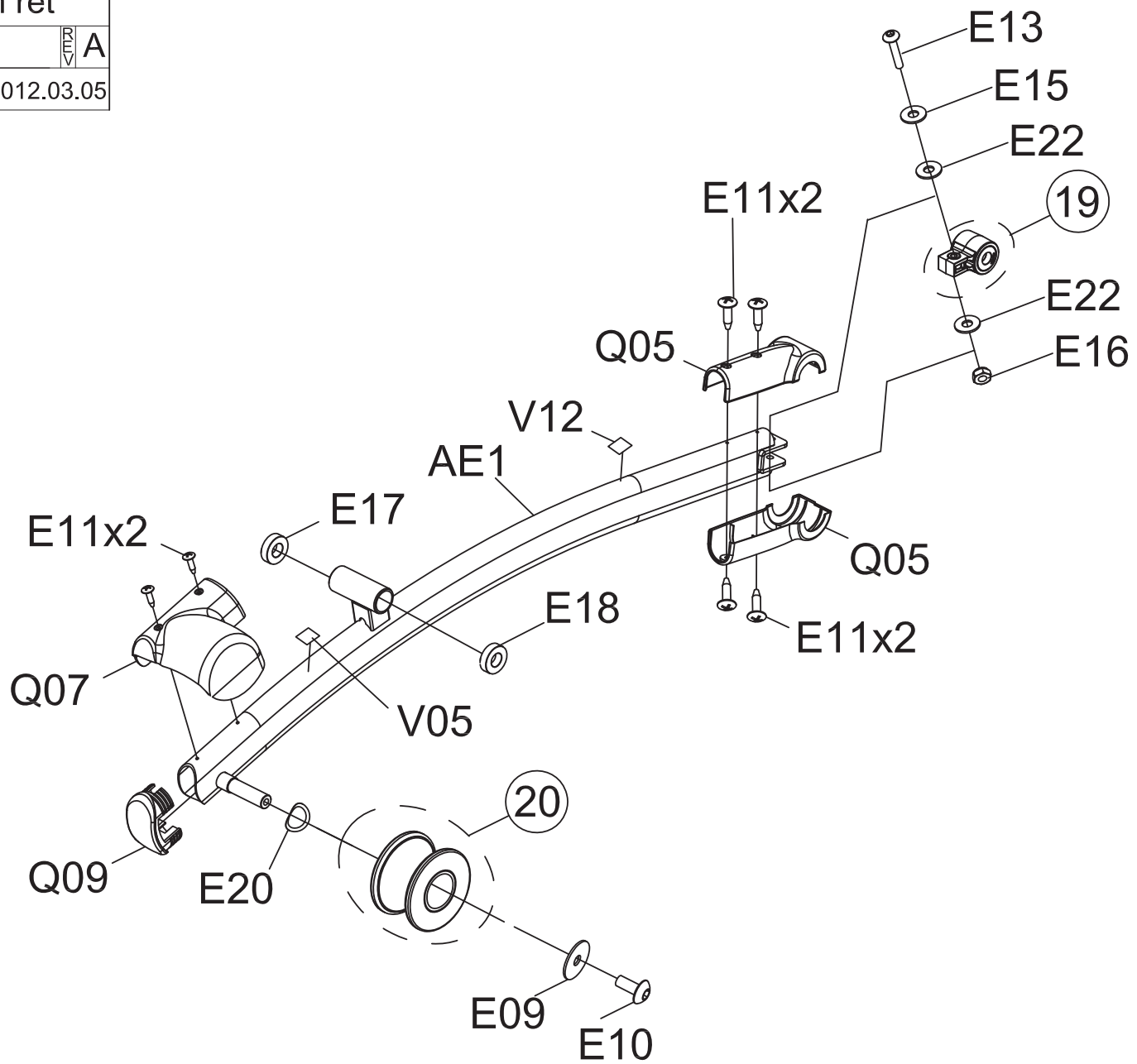
DRAWING NO	EP566-A14		
PART NAME	Guide rail set;L		
PART NO	1000229047	REV	A
APPROVE		DATE	2012.03.05



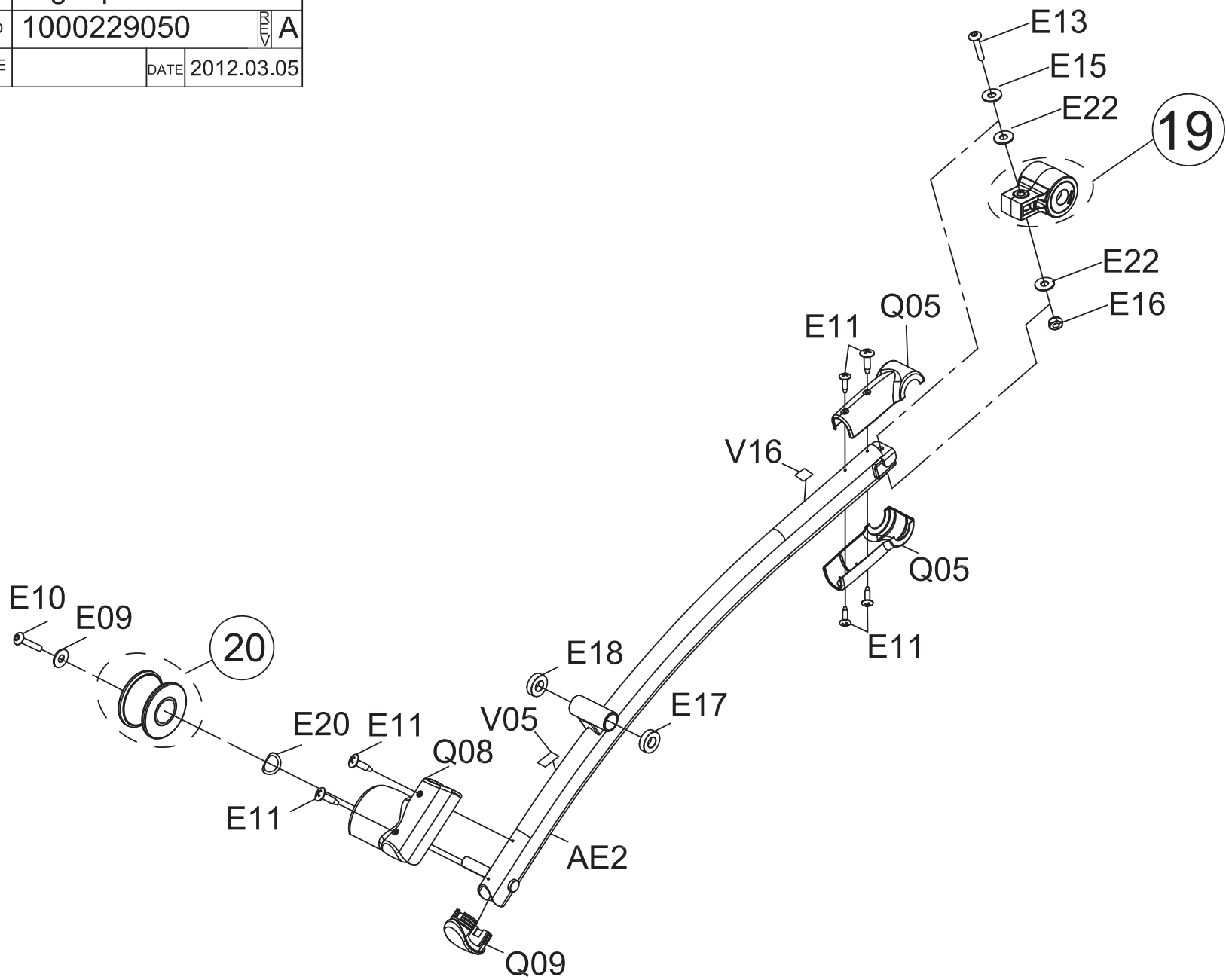
DRAWING NO	EP566-A15		
PART NAME	Guide rail set;R		
PART NO	1000229048	REV	A
APPROVE		DATE	2012.03.05



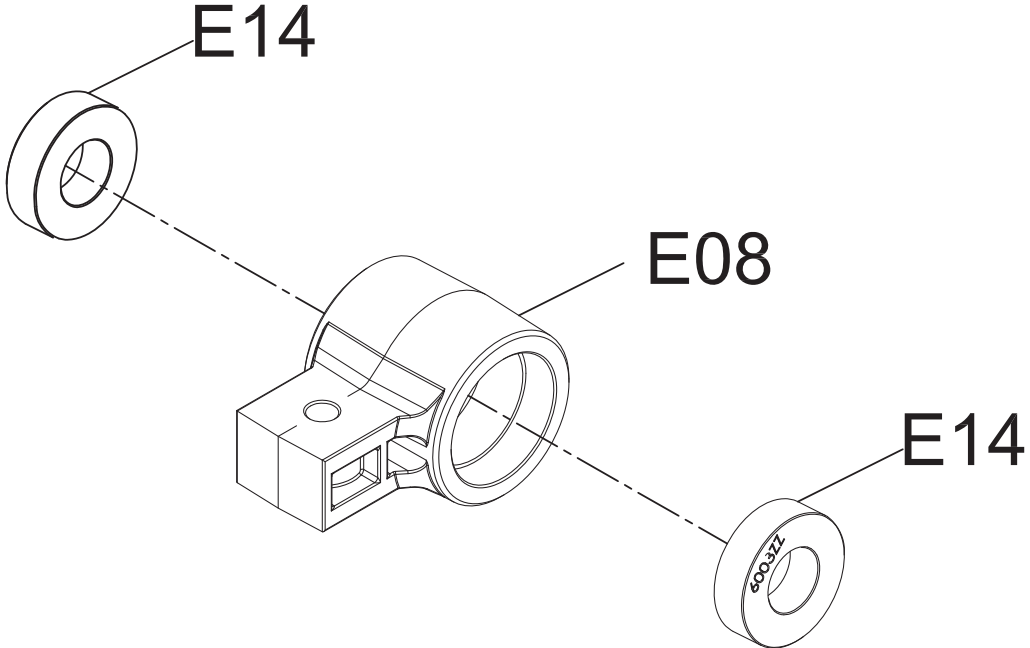
DRAWING NO	EP566-A16		
PART NAME	Left pedalarm ret		
PART NO	1000229049	REV	A
APPROVE		DATE	2012.03.05



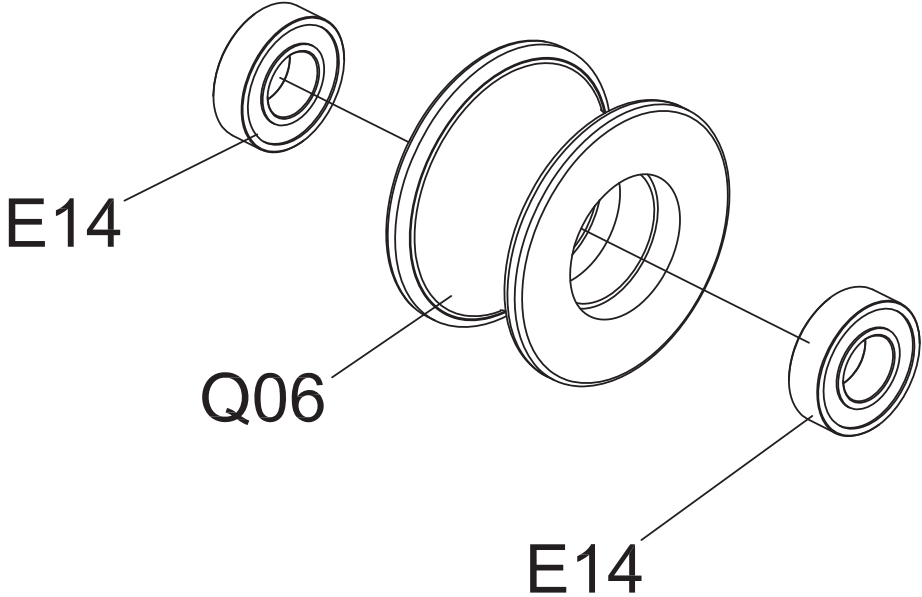
DRAWING NO	EP566-A17		
PART NAME	Right pedalarm ret		
PART NO	1000229050	REV	A
APPROVE		DATE	2012.03.05



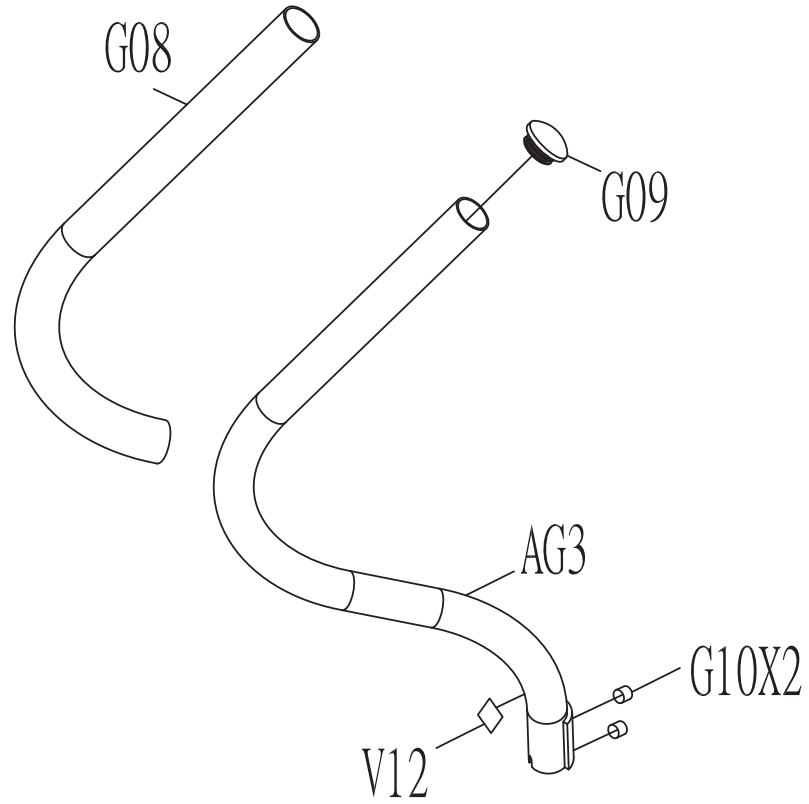
DRAWING NO	EP566-A26		
PART NAME	Crank Pin Set		
PART NO	1000229051	REV	A
APPROVE		DATE	2012.02.03



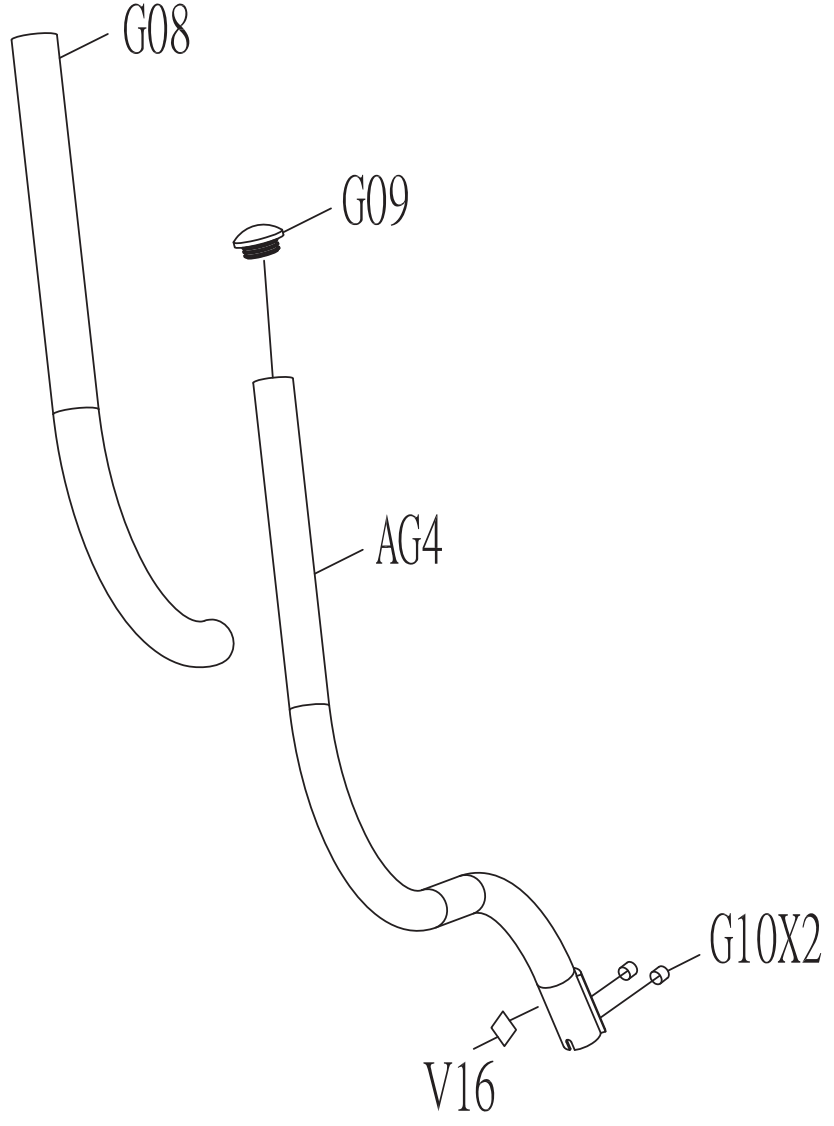
DRAWING NO	EP566-A25		
PART NAME	Moving Wheel Set		
PART NO		REV	A
APPROVE		DATE	2012.03.05



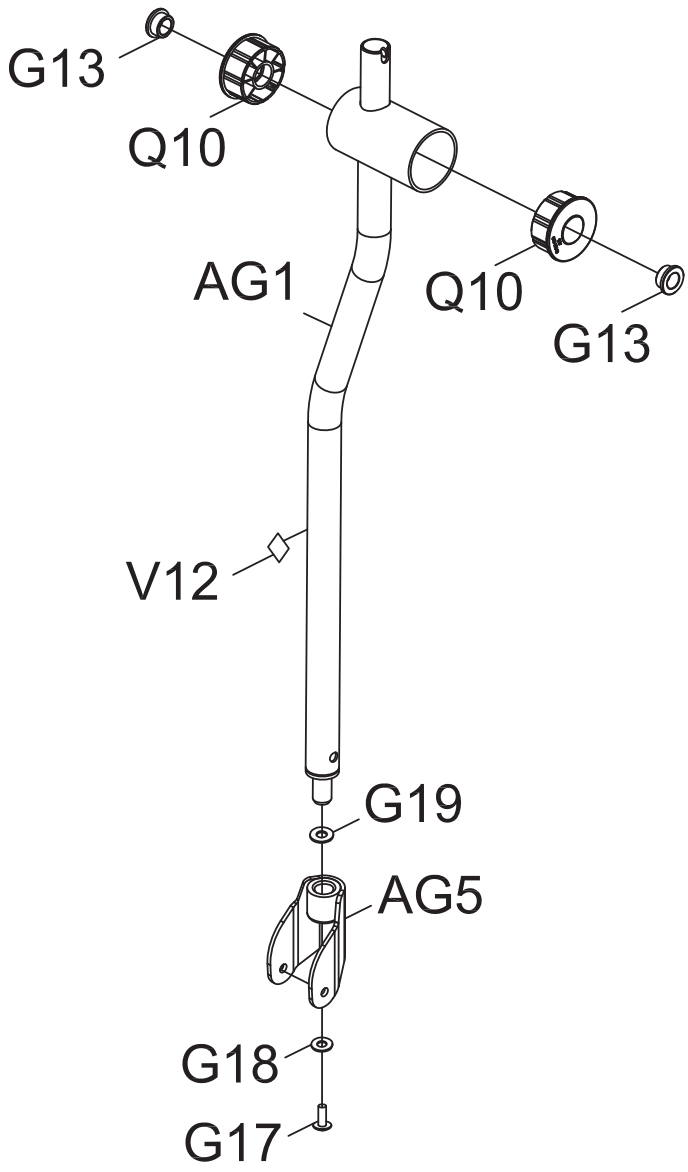
DRAWING NO 圖號	EP546B-A17	
PART NAME(CH) 零件名稱(中文)	左上扶手組	
PART NAME(EN) 零件名稱(英文)	Left upper hb set	
SAP PART NO SAP料號	1000206733	REV A



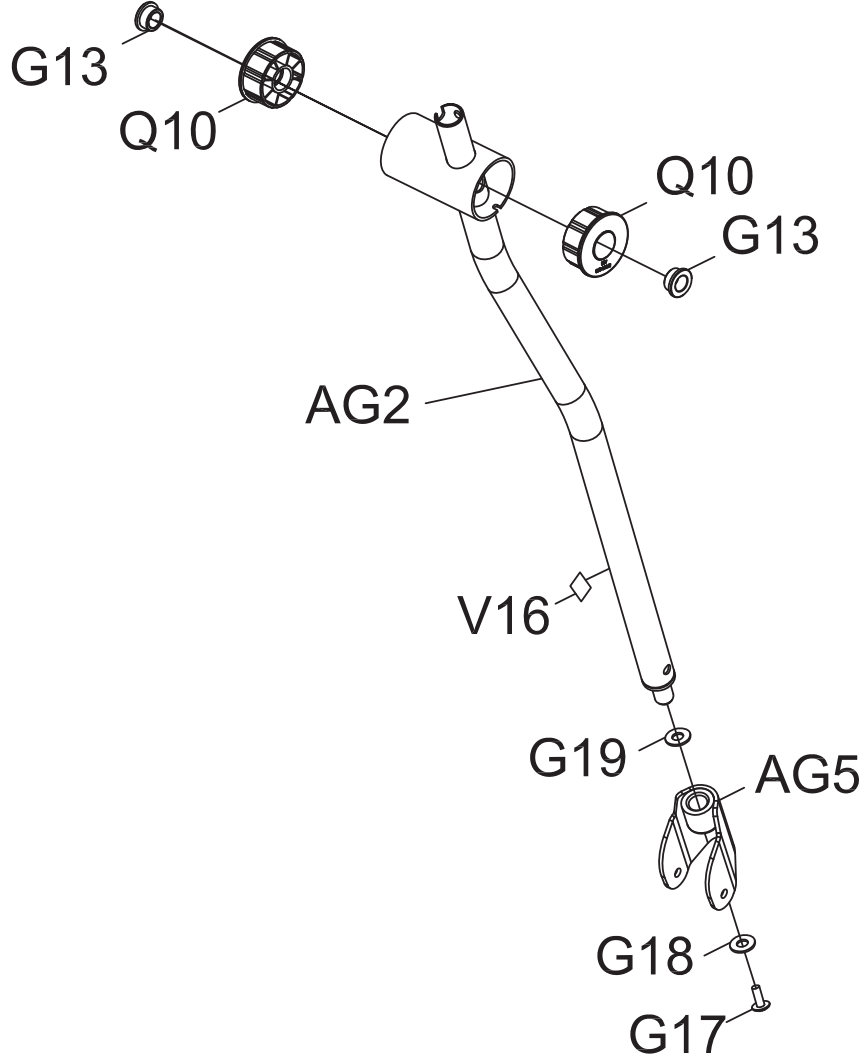
DRAWING NO 圖號	EP546B-A18	
PART NAME(CH) 零件名稱(中文)	右上扶手組	
PART NAME(EN) 零件名稱(英文)	Right upper hb set	
SAP PART NO SAP料號	1000206734	REV A



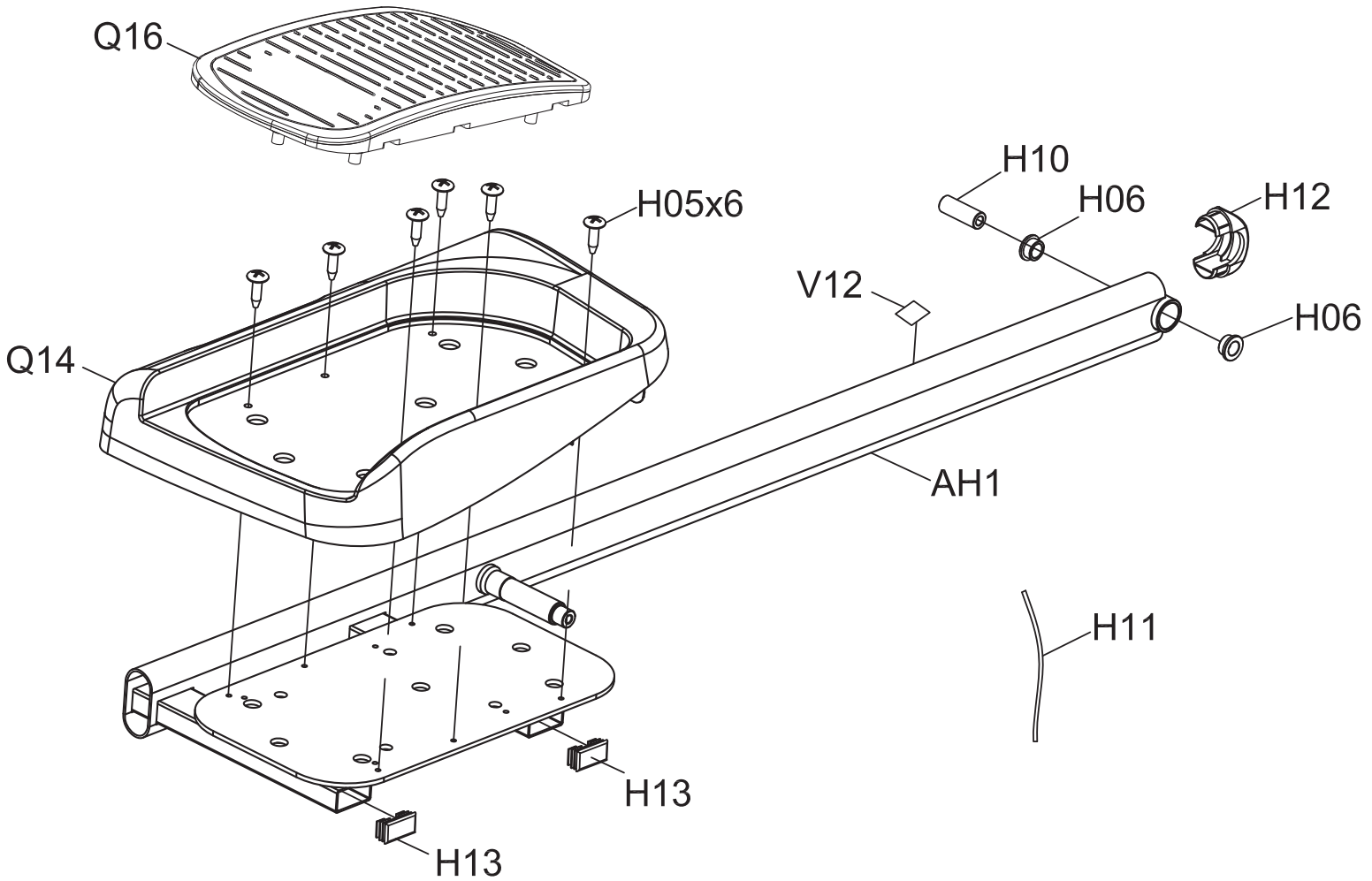
DRAWING NO	EP566-A18		
PART NAME	Arm Rest Set;LD		
PART NO	1000229053	VER	A
APPROVE		DATE	2012.03.26



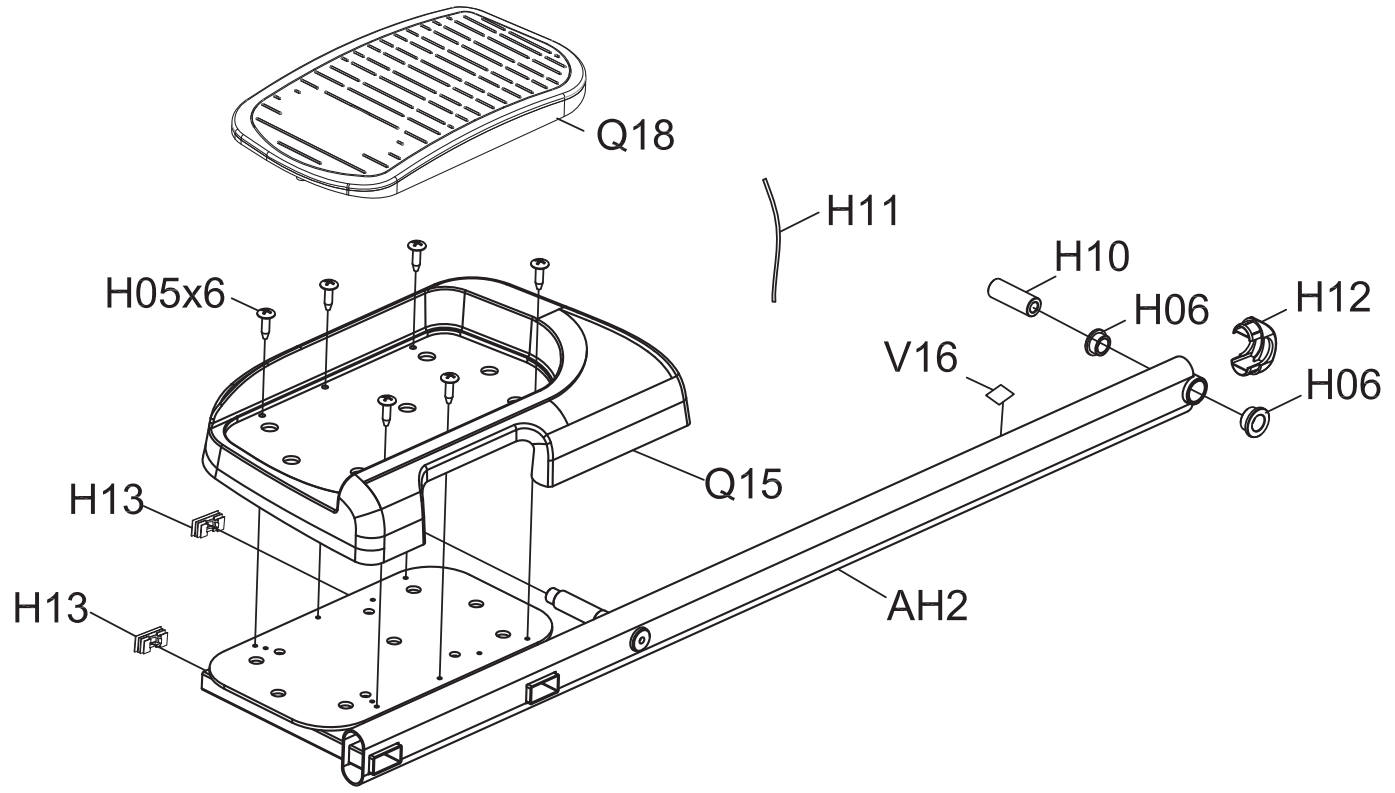
DRAWING NO	EP566-A19		
PART NAME	Arm Rest Set;RD		
PART NO	1000229054	VTR	A
APPROVE		DATE	2012.03.26



DRAWING NO	EP566-A20		
PART NAME	Leet linkarm set		
PART NO	1000229055	MPR	A
APPROVE		DATE	2012.03.05

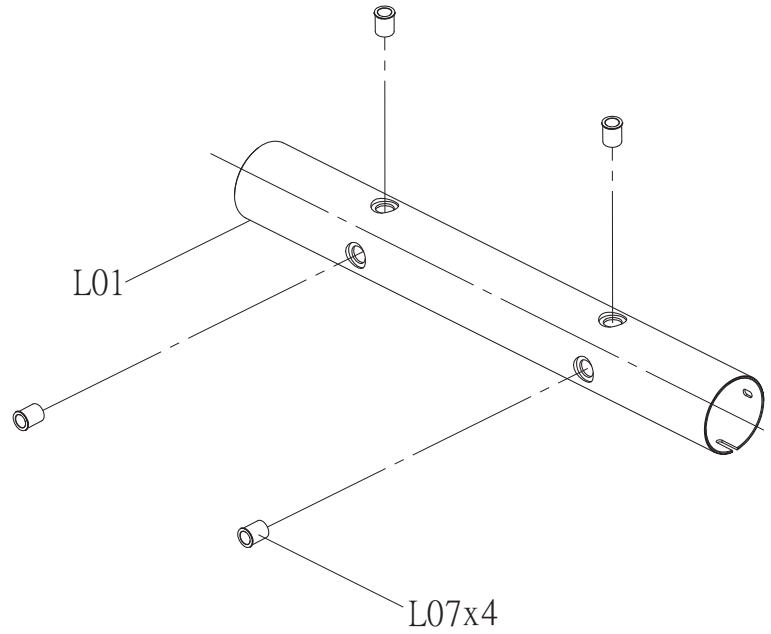


DRAWING NO	EP566-A21		
PART NAME	Right linkarm set		
PART NO	1000229056	MR	A
APPROVE		DATE	2012.03.05

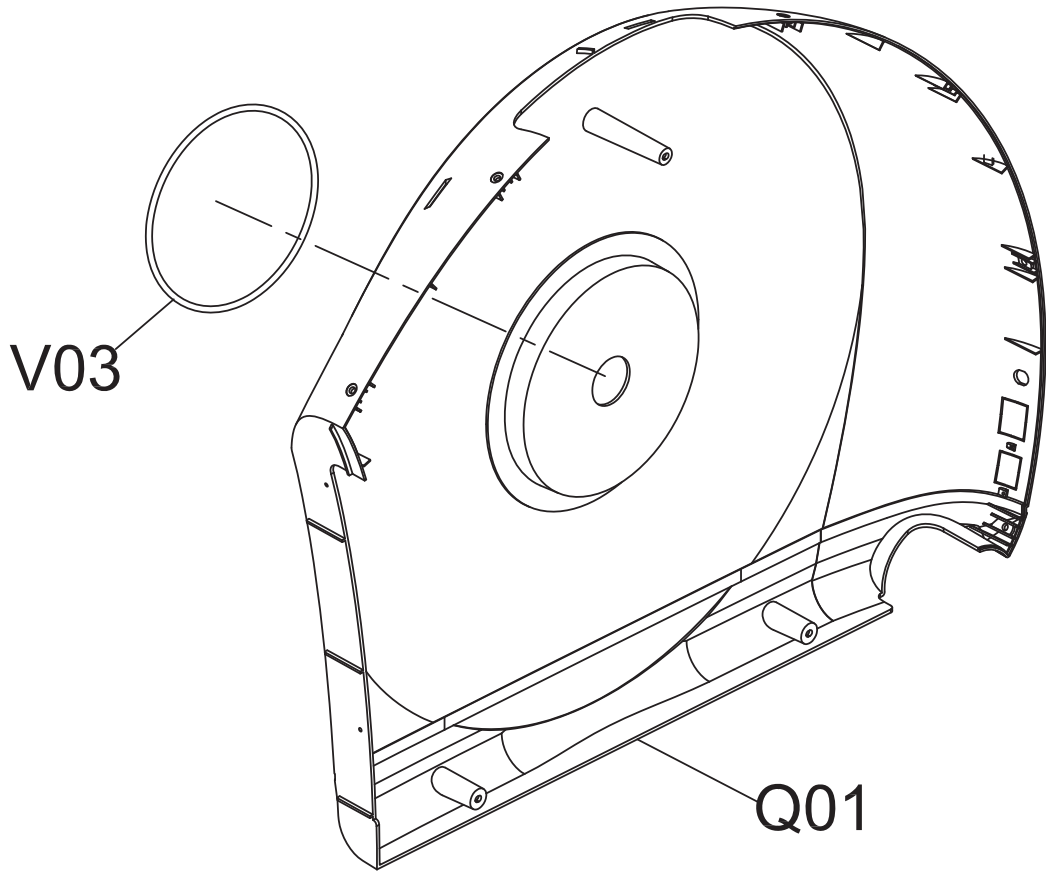


DRAWING NO	EP514-A23		
PART NAME	Stabilizer Set		
PART NO	1000112046	REV	A
APPROVE	Dary	DATE	12.06.10

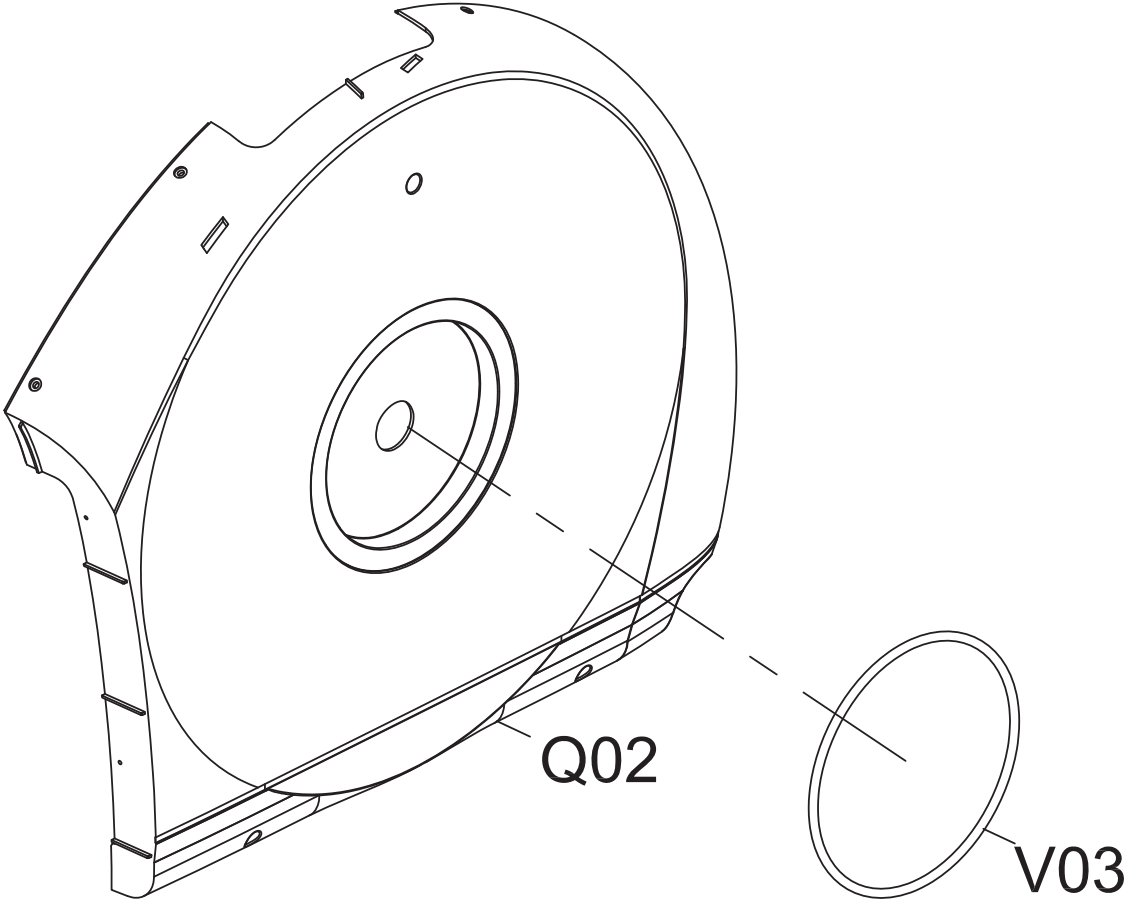
Part NO	Description
1000112490	Stabilizer Set;EP513B-2KM



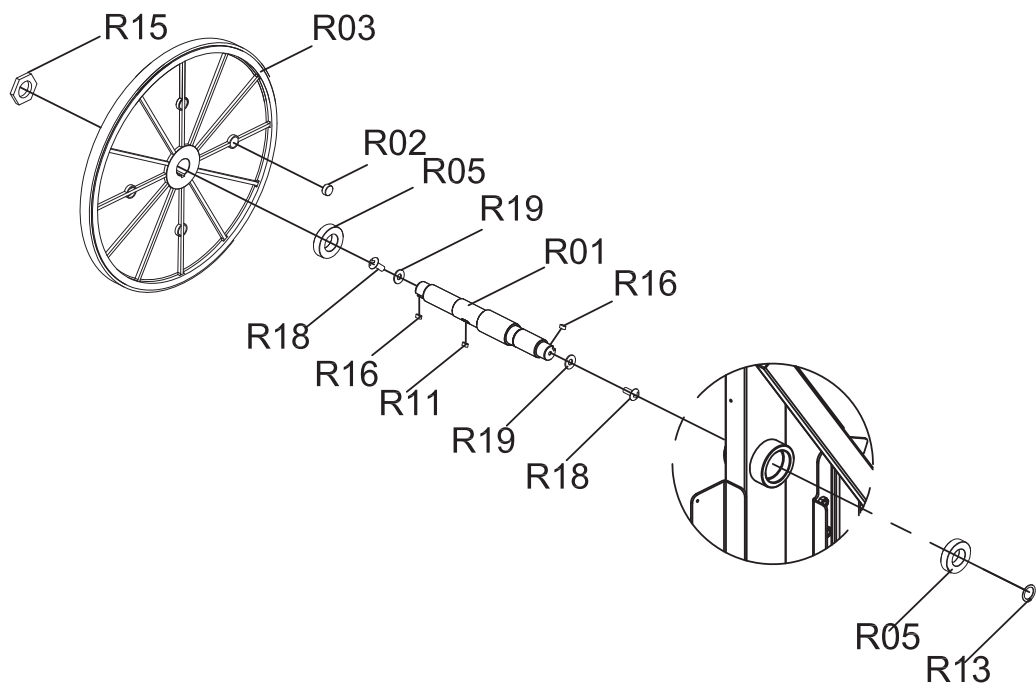
DRAWING NO	EP566-A23		
PART NAME	Side sover set-L		
PART NO			A
APPROVE		DATE	2012.03.05



DRAWING NO	EP566-A24		
PART NAME	Side sover set-R		
PART NO			A
APPROVE		DATE	2012.03.05



DRAWING NO	EP543-A31		
PART NAME	Driver Axle Set		
PART NO	1000205360	B	
APPROVE		DATE	2012.03.26



DRAWING NO	EP566-A27		
PART NAME	Shield Set;B;FR		
PART NO			FR A
APPROVE		DATE	2012.03.05

