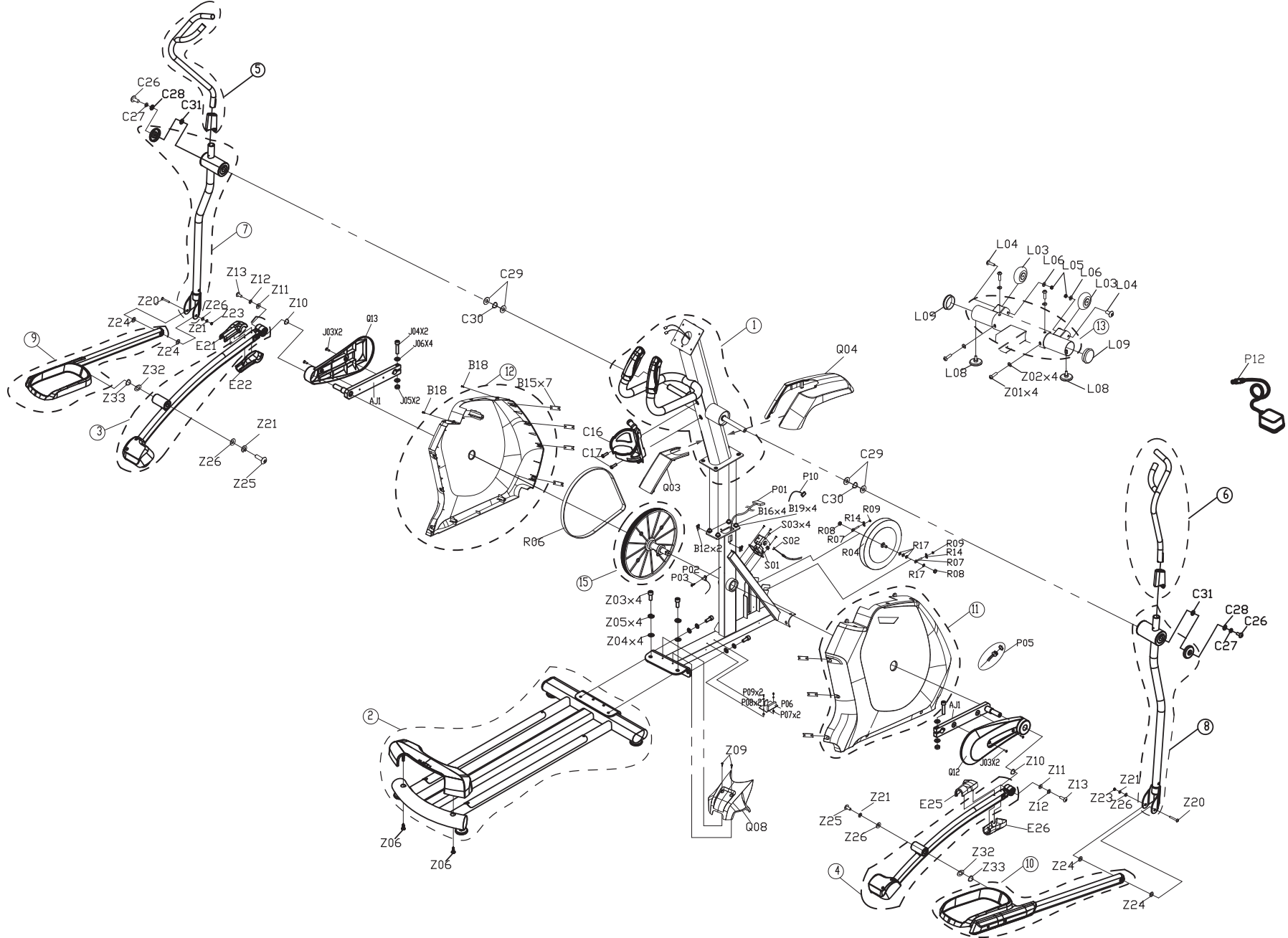
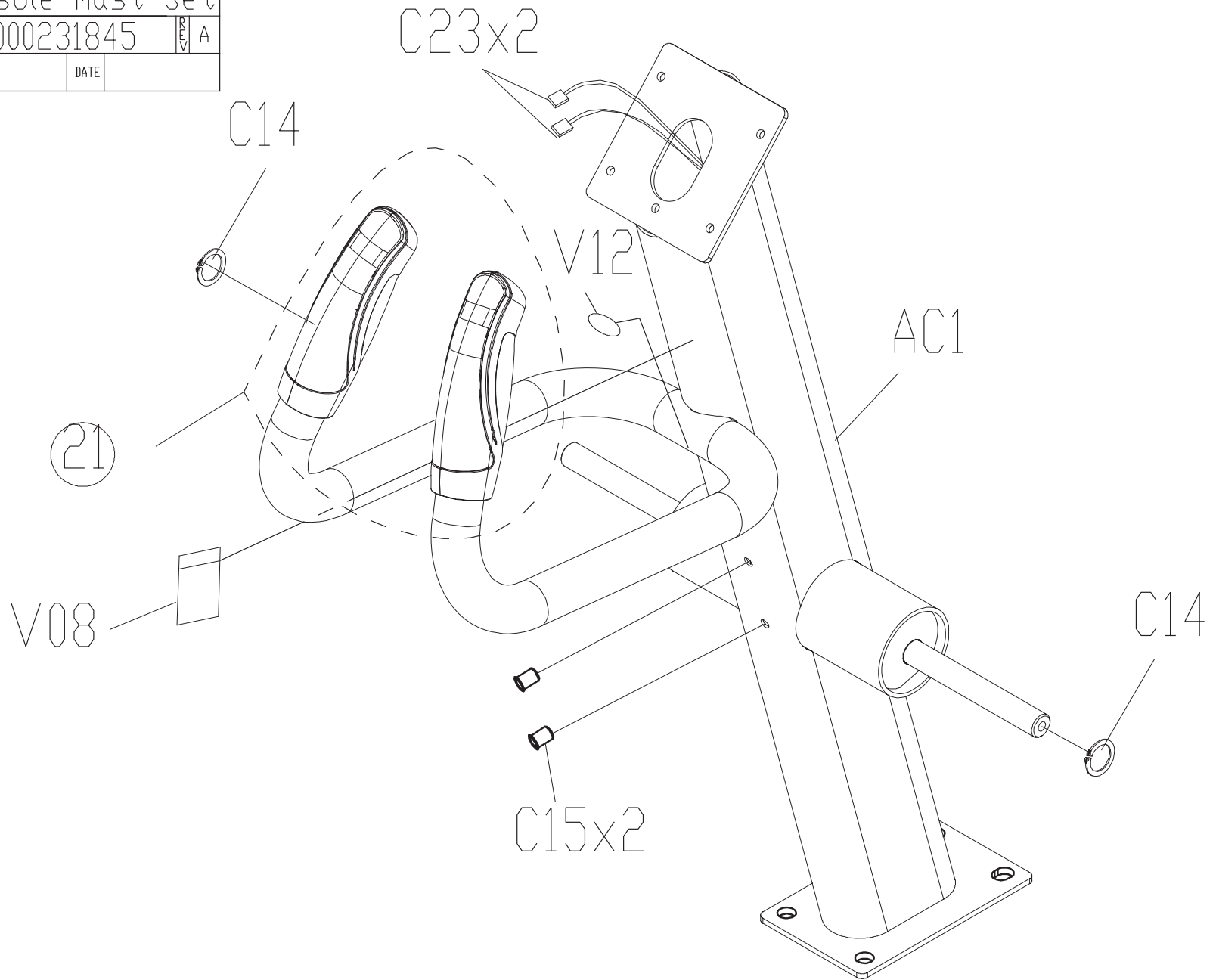


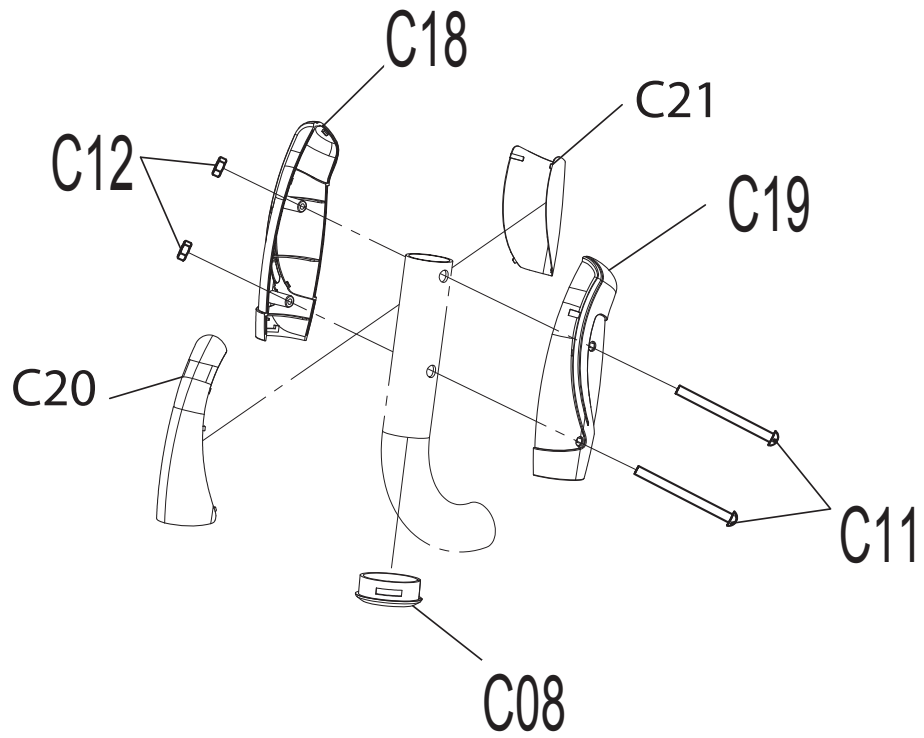
|            |                          |       |
|------------|--------------------------|-------|
| DRAWING NO | EP269-1US-F              |       |
| PART NAME  | Service Exploded Drawing |       |
| PART NO    | VEP0138-00               | REV A |
| APPROVE    | DATE                     |       |



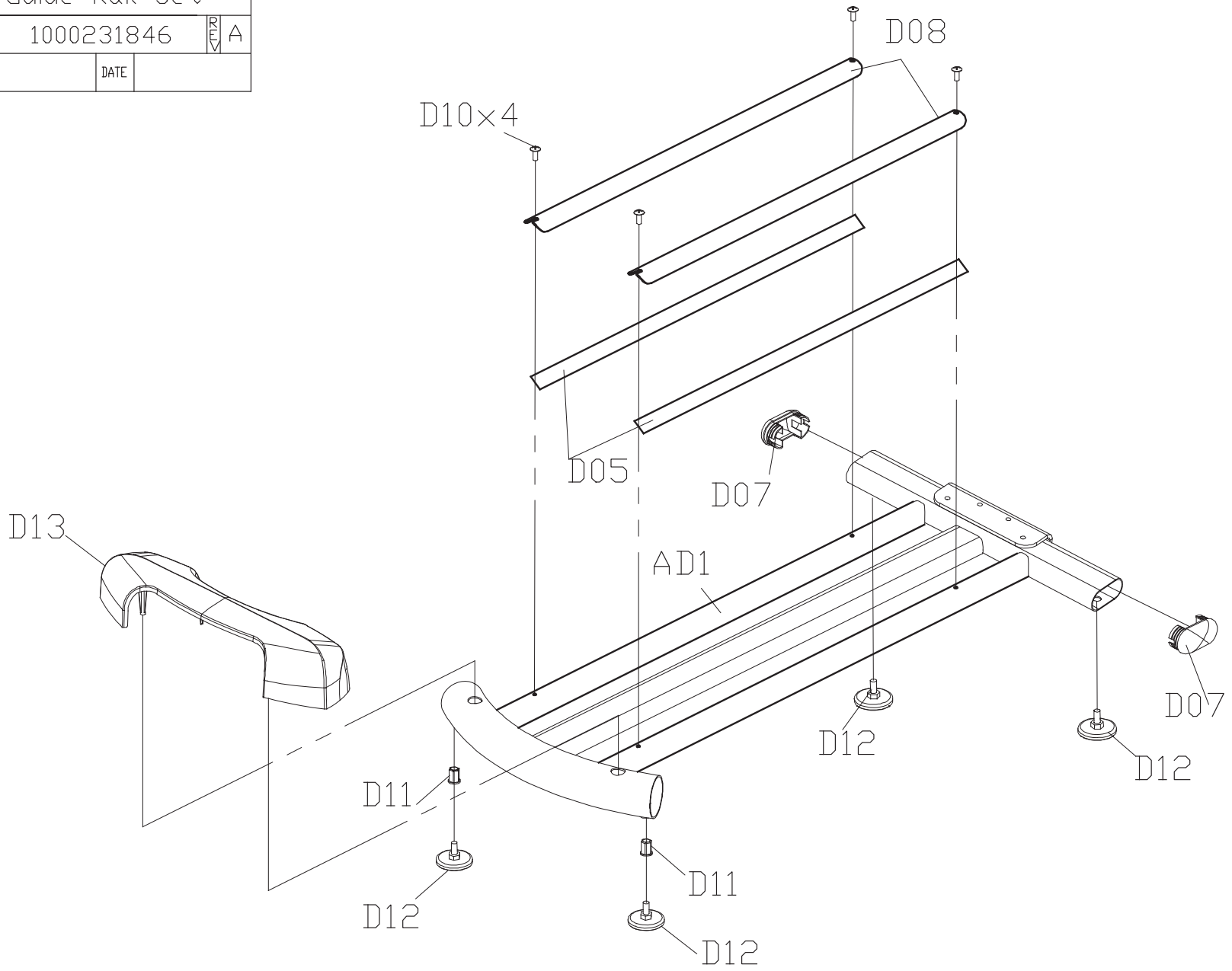
|            |                  |       |
|------------|------------------|-------|
| DRAWING NO | EP268-A11        |       |
| PART NAME  | Console Mast Set |       |
| PART NO    | 1000231845       | REV A |
| APPROVE    | DATE             |       |



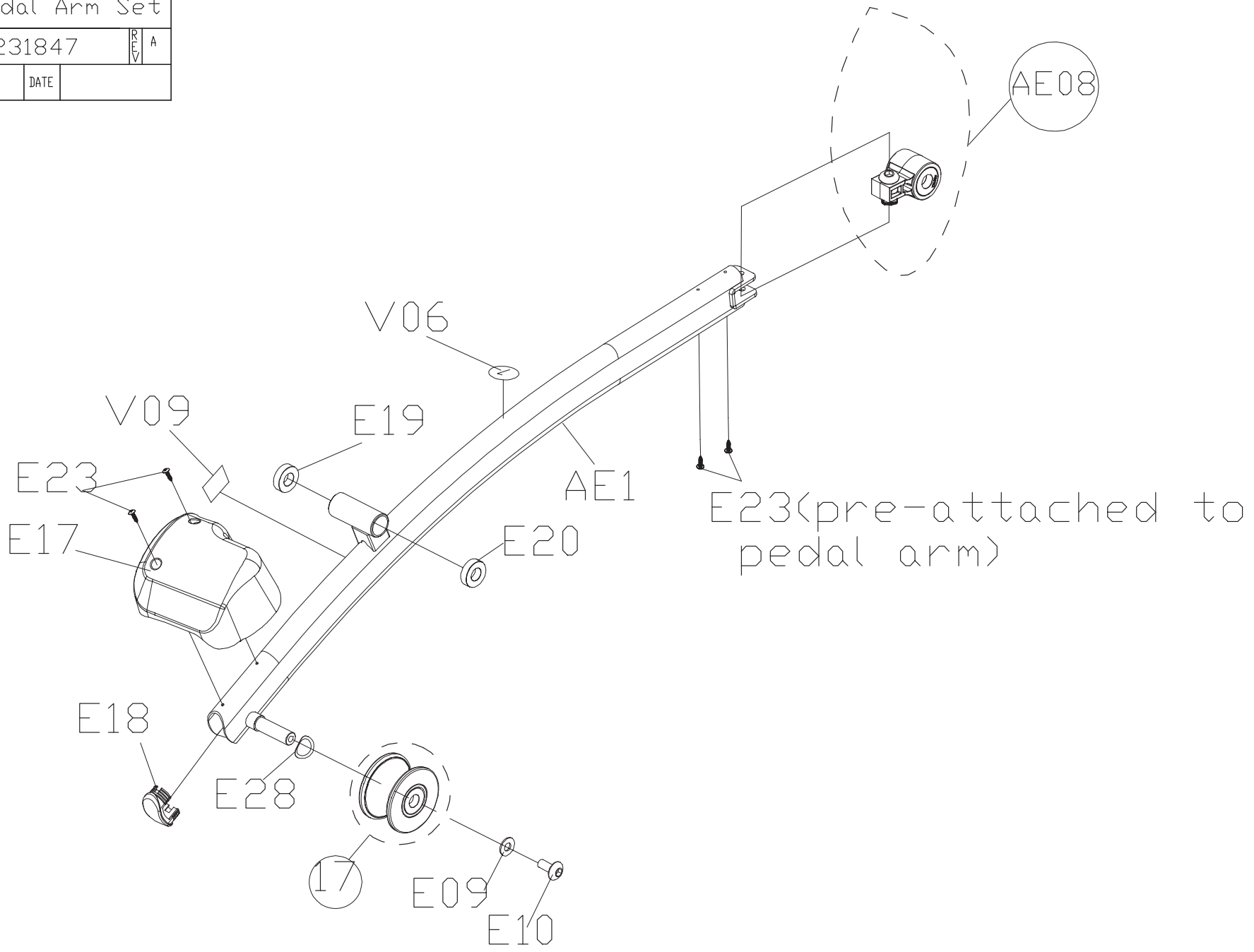
|             |                   |      |        |
|-------------|-------------------|------|--------|
| DRAWING NO  | EP257-A31         |      |        |
| PART NAME   | Handbar Grips Set |      |        |
| SAP PART NO | 1000231081        | VER  | A      |
| APPROVE     | Michael           | DATE | 032012 |



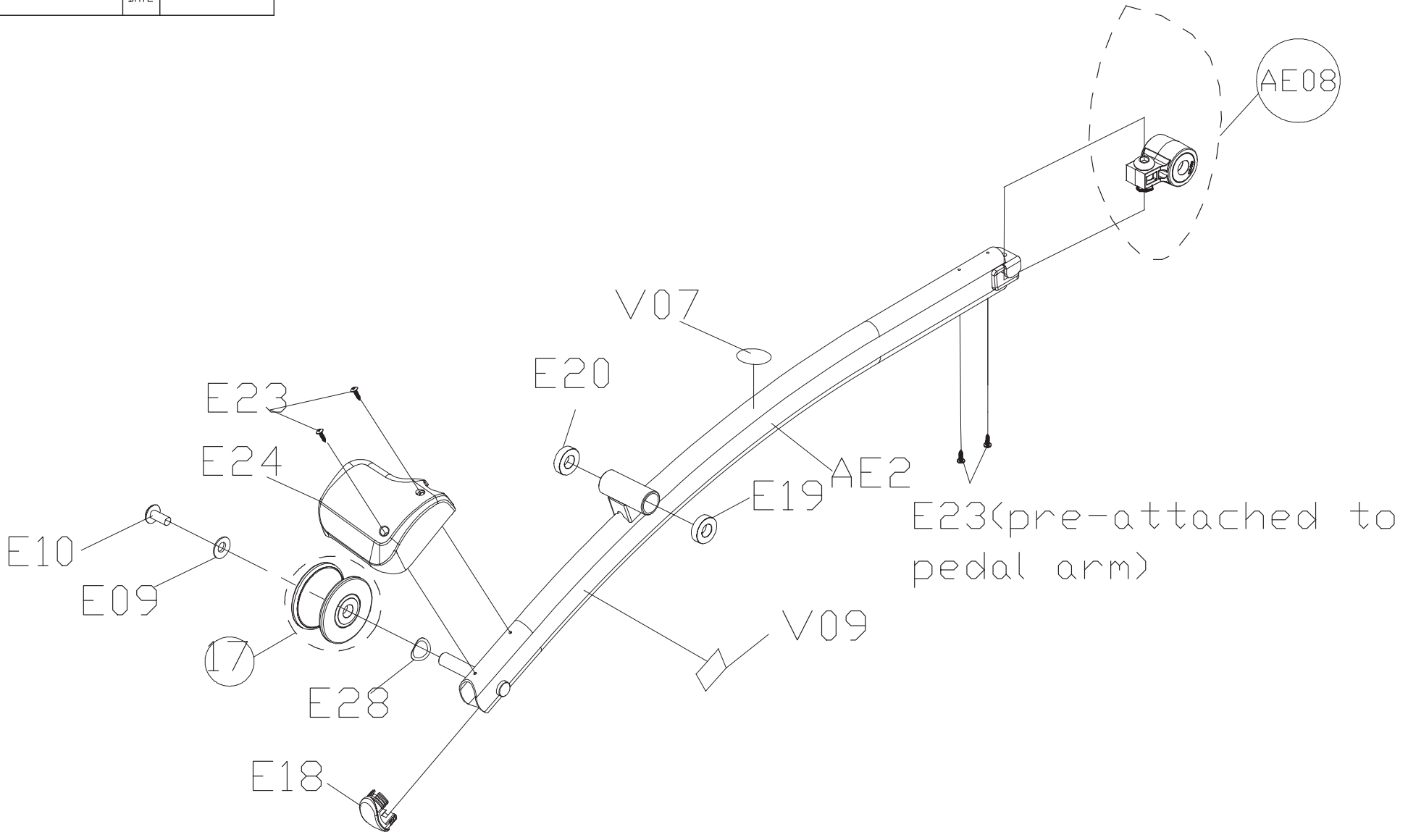
|            |                |     |   |
|------------|----------------|-----|---|
| DRAWING NO | EP268-A12      |     |   |
| PART NAME  | Guide Rail Set |     |   |
| PART NO    | 1000231846     | REV | A |
| APPROVE    | DATE           |     |   |



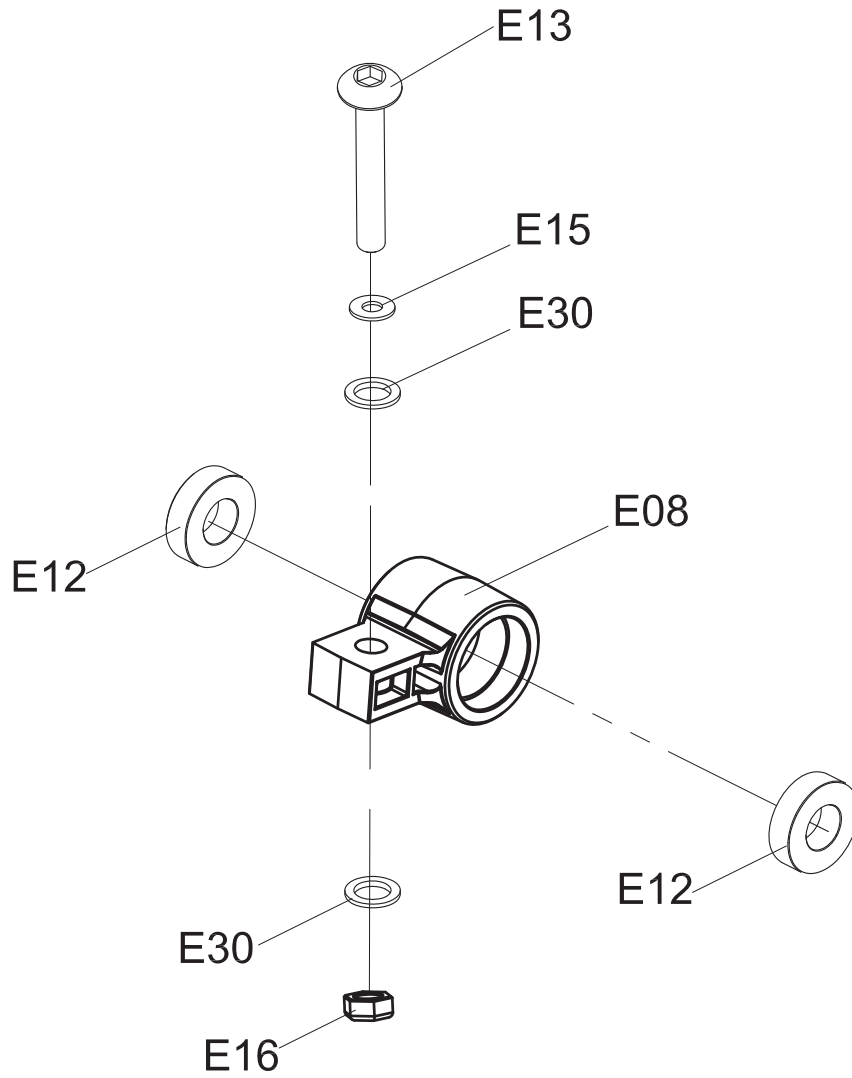
|            |                 |     |   |
|------------|-----------------|-----|---|
| DRAWING NO | EP268-A13       |     |   |
| PART NAME  | L-Pedal Arm Set |     |   |
| PART NO    | 1000231847      | REV | A |
| APPROVE    | DATE            |     |   |



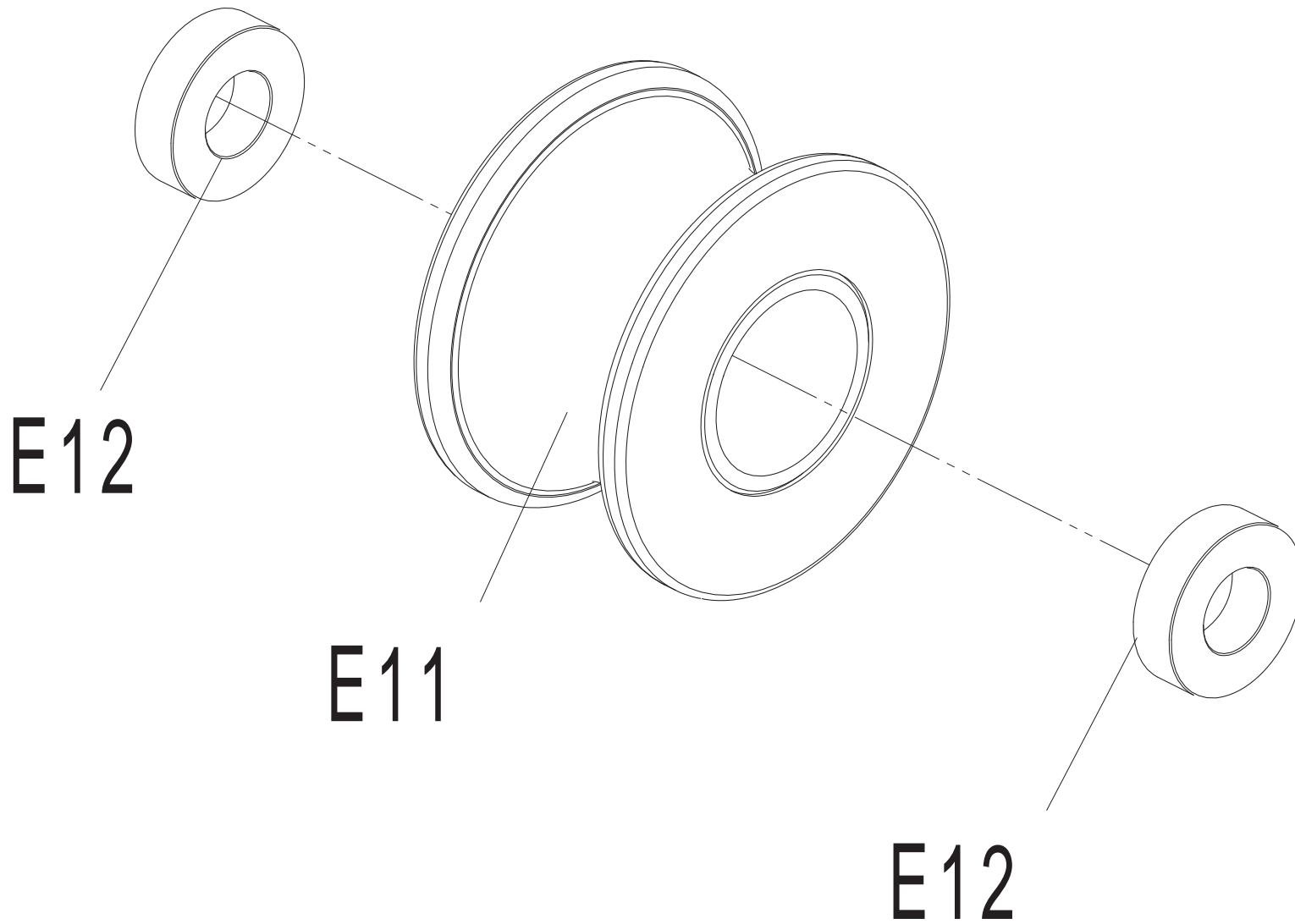
|            |                 |      |   |
|------------|-----------------|------|---|
| DRAWING NO | EP268-A14       |      |   |
| PART NAME  | R-Pedal Arm Set |      |   |
| PART NO    | 1000231848      | REV  | A |
| APPROVE    |                 | DATE |   |



|            |                      |      |   |
|------------|----------------------|------|---|
| DRAWING NO | EP241-A14            |      |   |
| PART NAME  | Crank Pin Sleeve Set |      |   |
| PART NO    | 1000111424           | REV  | B |
| APPROVE    |                      | DATE |   |

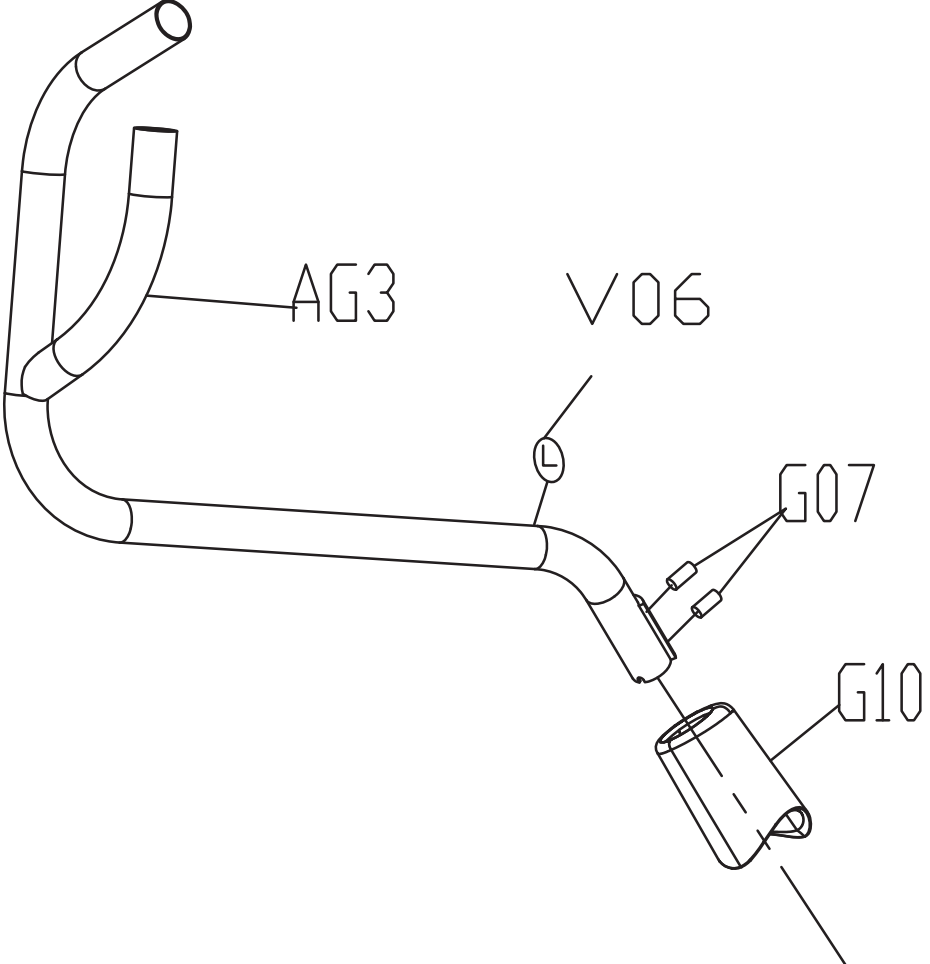


|            |                  |      |   |
|------------|------------------|------|---|
| DRAWING NO | EP240-A45        |      |   |
| PART NAME  | Roller Wheel Set |      |   |
| PART NO    | 1000207789       | REV  | A |
| APPROVE    |                  | DATE |   |

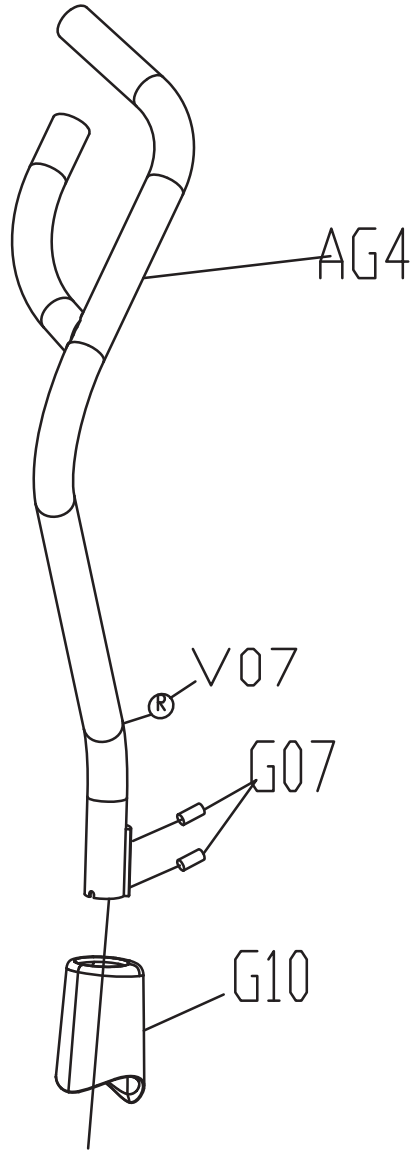




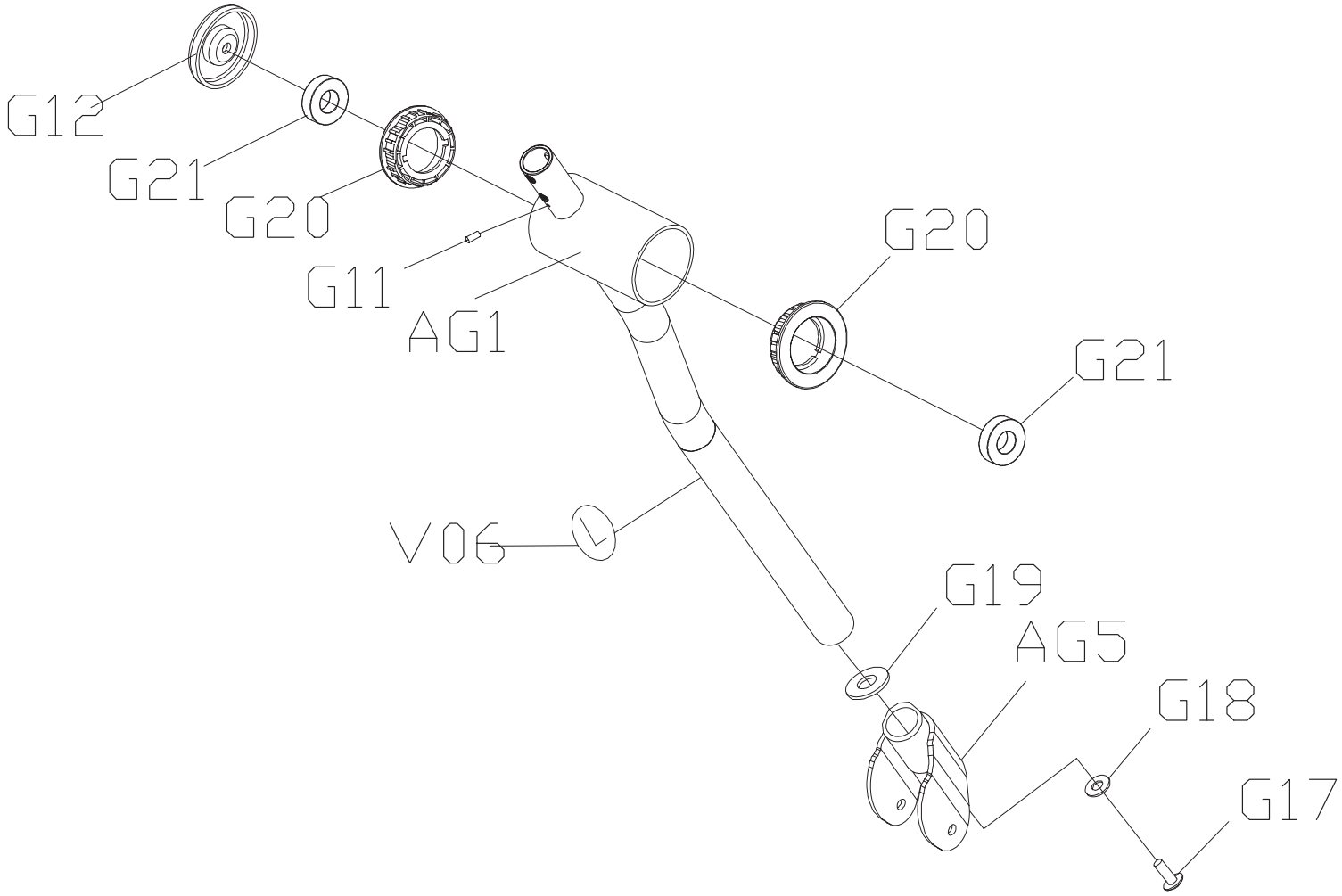
|            |                 |      |   |
|------------|-----------------|------|---|
| DRAWING NO | EP269-A15       |      |   |
| PART NAME  | Arm Rest Set;LU |      |   |
| PART NO    | 1000232319      | REV  | A |
| APPROVE    |                 | DATE |   |



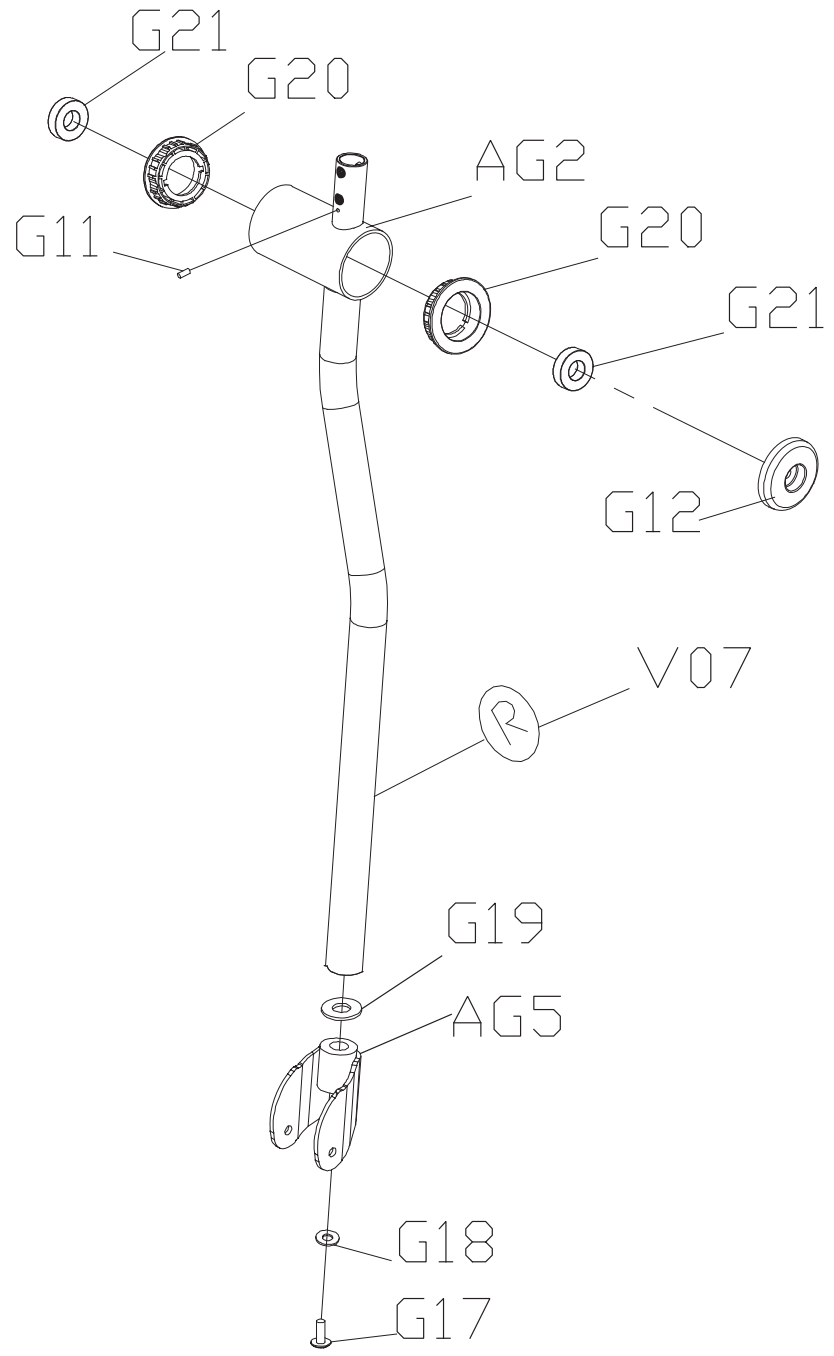
|            |                 |      |   |
|------------|-----------------|------|---|
| DRAWING NO | EP269-A16       |      |   |
| PART NAME  | Arm Rest Set;RU |      |   |
| PART NO    | 1000232320      | REV  | A |
| APPROVE    |                 | DATE |   |



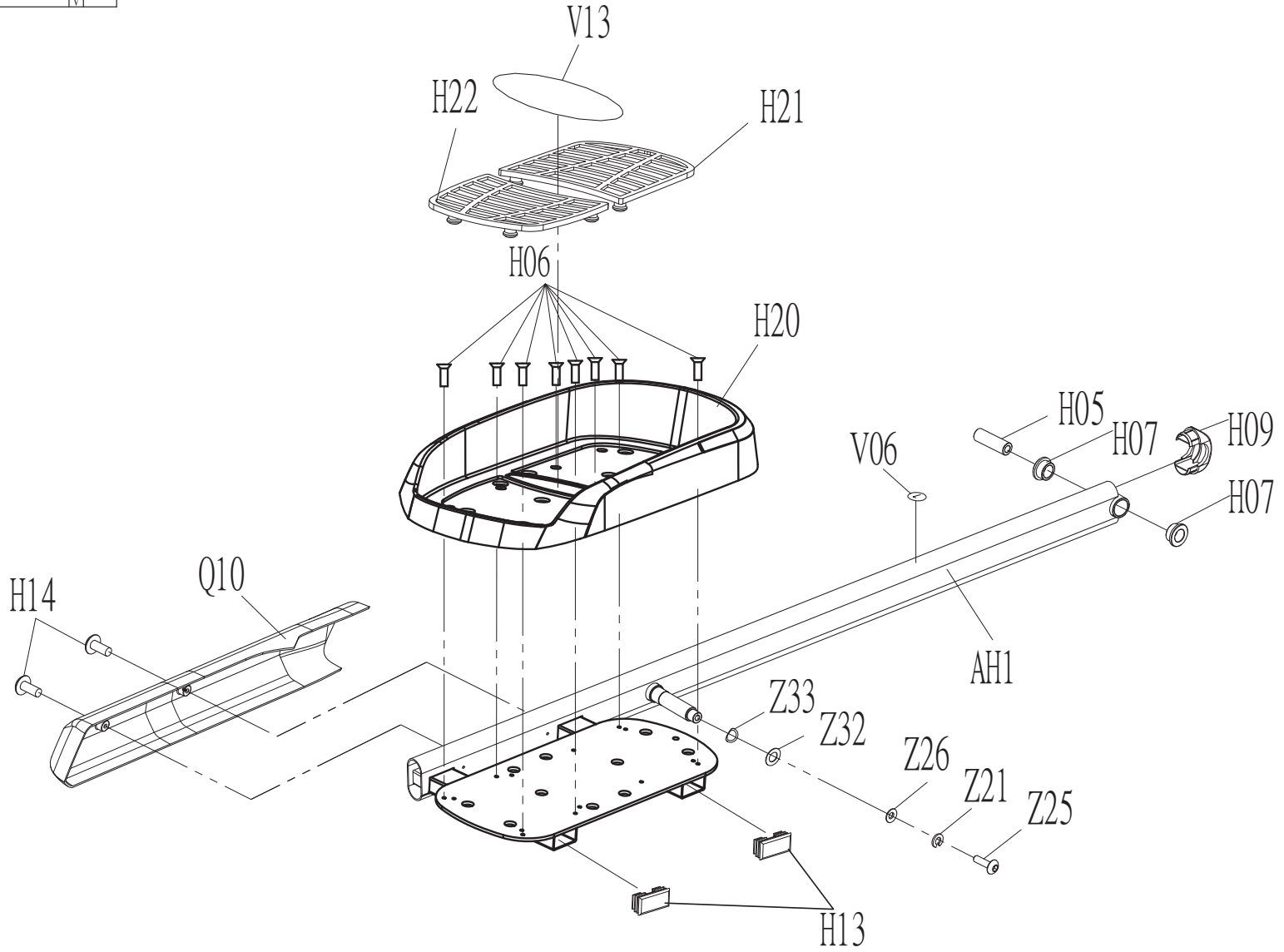
|            |                  |      |   |
|------------|------------------|------|---|
| DRAWING NO | EP268-A17        |      |   |
| PART NAME  | Arm Rest Set; LD |      |   |
| PART NO    | 1000231851       | REV  | A |
| APPROVE    |                  | DATE |   |



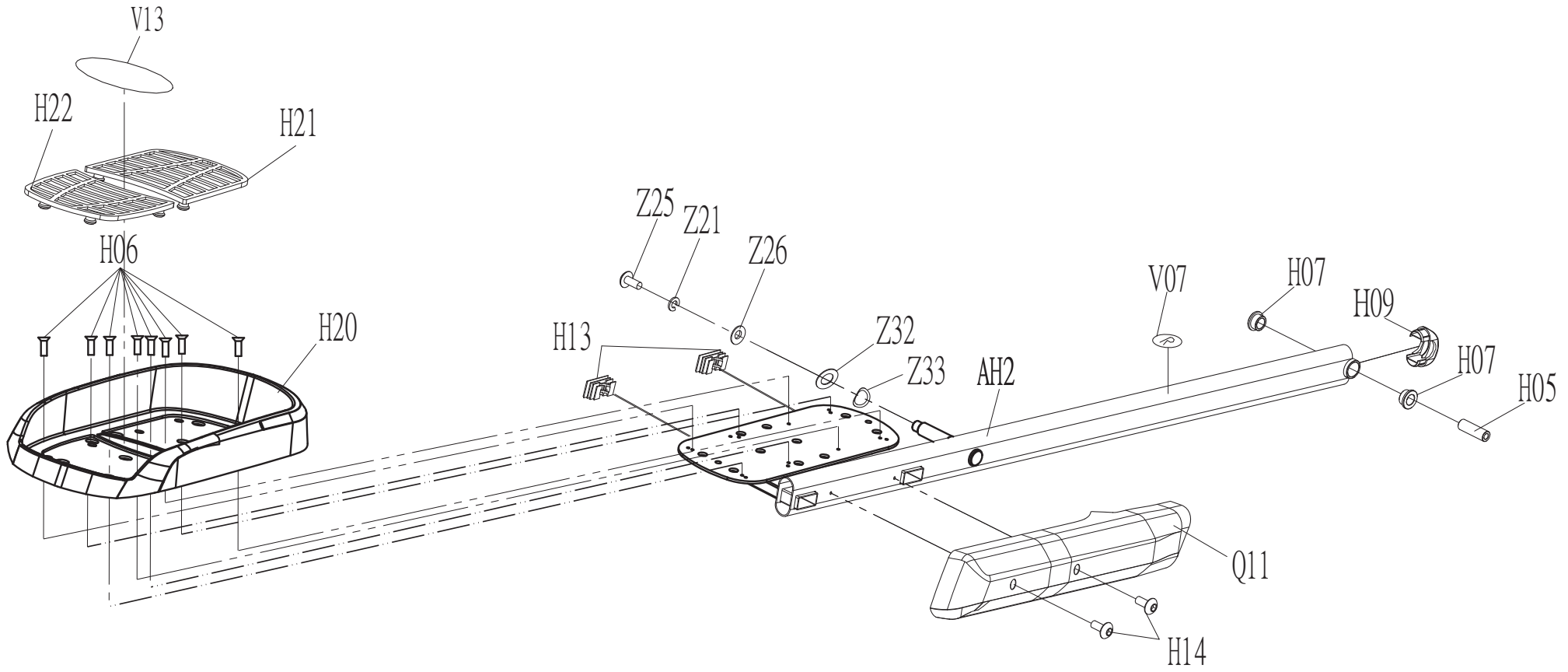
|            |                 |     |   |
|------------|-----------------|-----|---|
| DRAWING NO | EP268-A19       |     |   |
| PART NAME  | Arm Rest Set;RD |     |   |
| PART NO    | 1000231852      | REV | A |
| APPROVE    | DATE            |     |   |



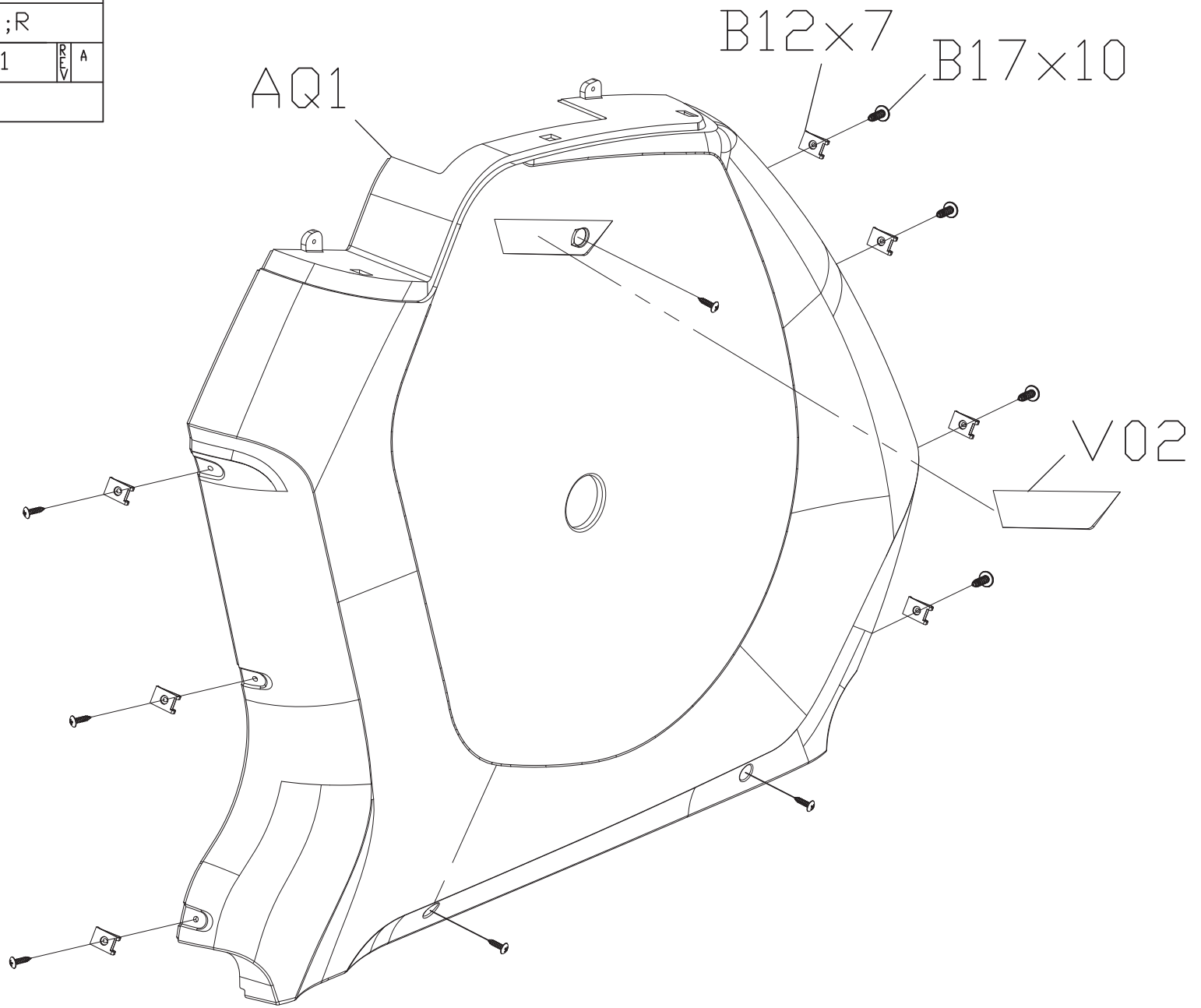
|                           |                |       |
|---------------------------|----------------|-------|
| DRAWING NO<br>圖 號         | EP241-A17      |       |
| PART NAME(CH)<br>零件名稱(中文) | 左搖臂組           |       |
| PART NAME(EN)<br>零件名稱(英文) | L-Link Arm Set |       |
| SAP PART NO<br>SAP料號      | 1000111434     | REV A |



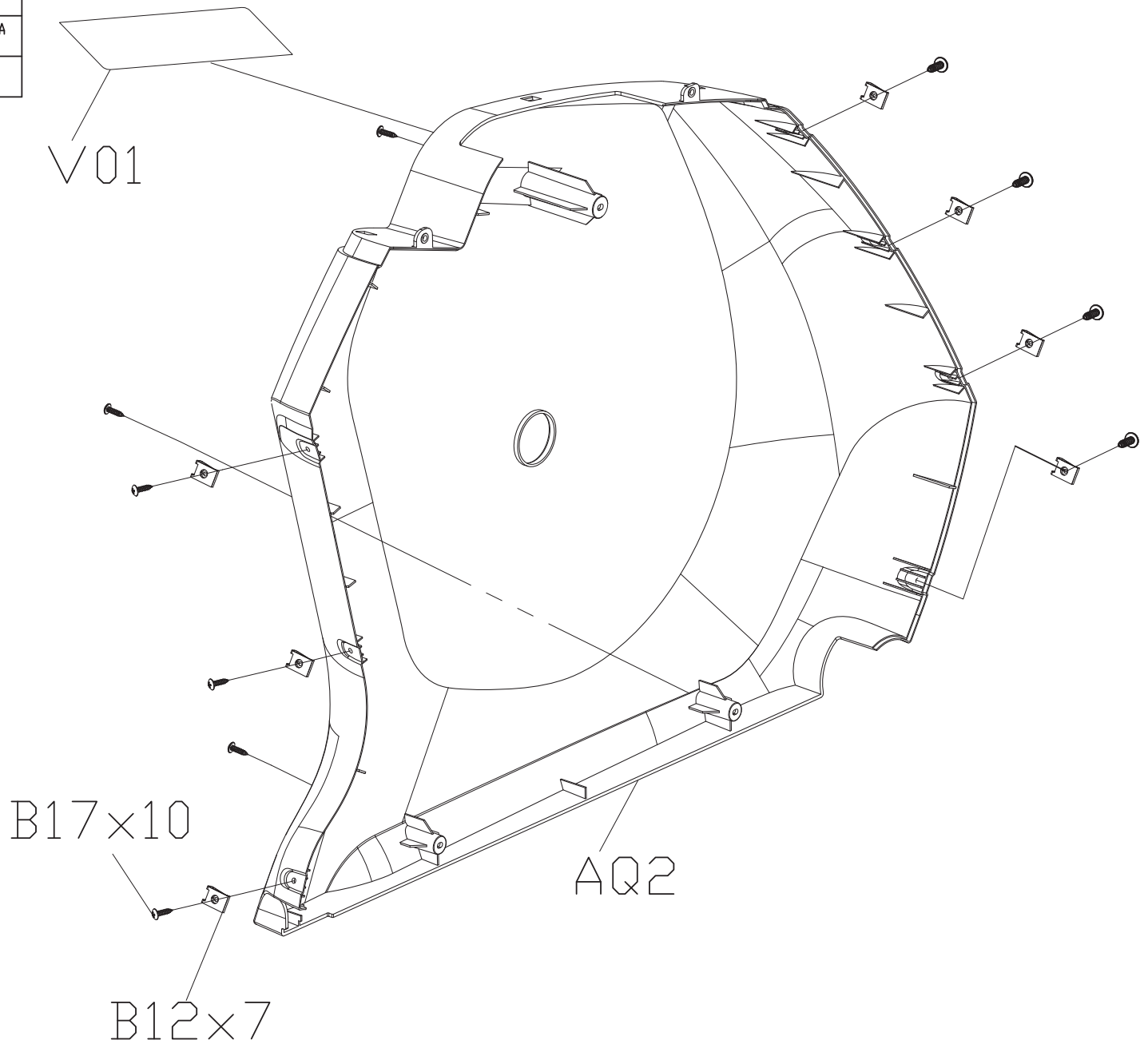
|                           |                |       |
|---------------------------|----------------|-------|
| DRAWING NO<br>圖 號         | EP241-A18      |       |
| PART NAME(CH)<br>零件名稱(中文) | 右搖臂組           |       |
| PART NAME(EN)<br>零件名稱(英文) | R-Link Arm Set |       |
| SAP PART NO<br>SAP料號      | 1000111436     | REV A |



|            |             |       |
|------------|-------------|-------|
| DRAWING NO | EP269-A26   |       |
| PART NAME  | Cover Set;R |       |
| PART NO    | 1000232321  | REV A |
| APPROVE    | DATE        |       |

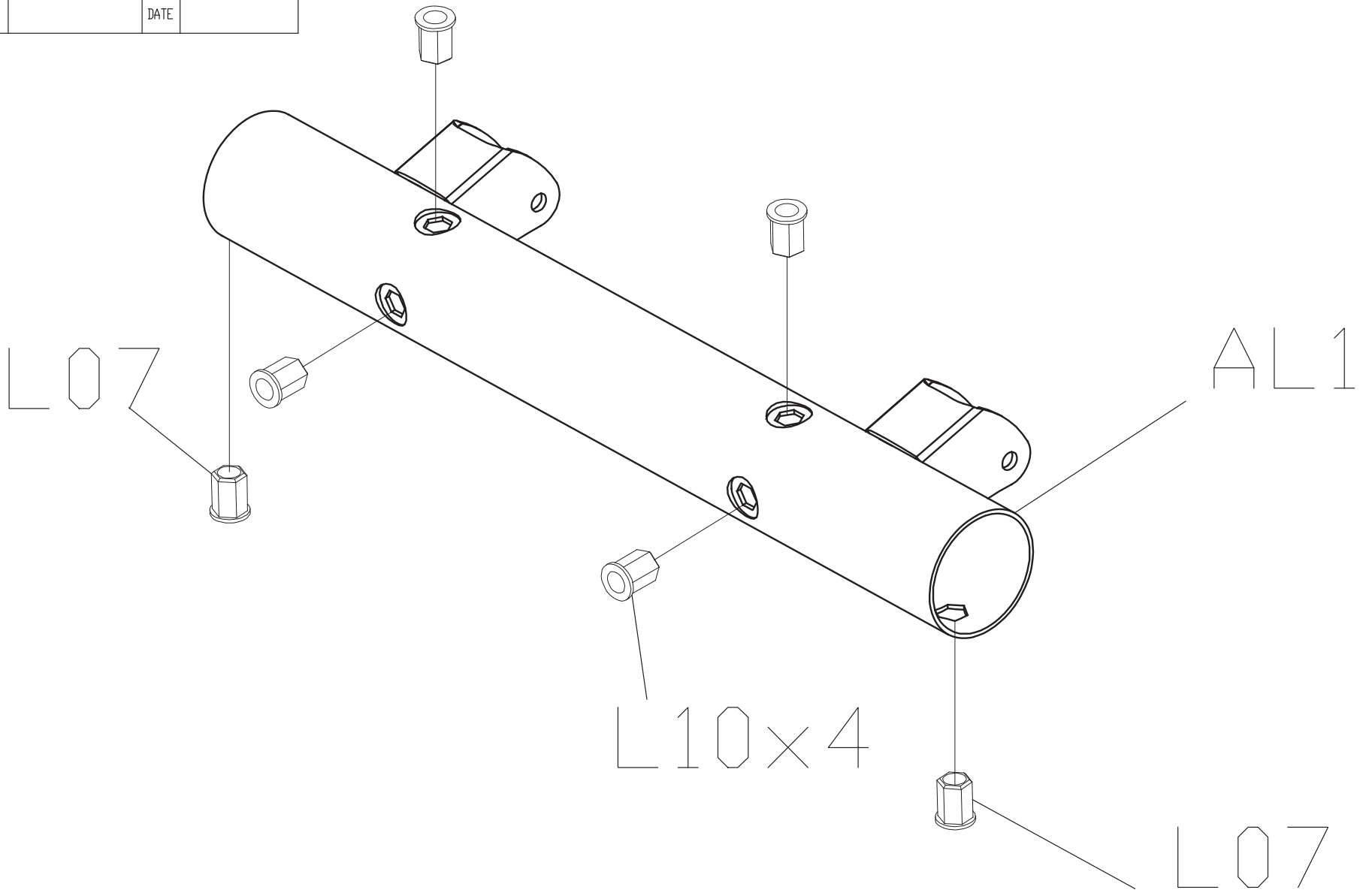


|            |             |      |   |
|------------|-------------|------|---|
| DRAWING NO | EP269-A27   |      |   |
| PART NAME  | Cover Set;L |      |   |
| PART NO    | 1000232322  | REV  | A |
| APPROVE    |             | DATE |   |





|            |            |      |   |
|------------|------------|------|---|
| DRAWING NO | EP268-A24  |      |   |
| PART NAME  | Wheel Set  |      |   |
| PART NO    | 1000231854 | REV  | A |
| APPROVE    |            | DATE |   |



|             |                 |      |   |
|-------------|-----------------|------|---|
| DRAWING NO  | EP268-A22       |      |   |
| PART NAME   | Belt pulley set |      |   |
| SAP PART NO | 1000231857      | REV  | A |
| APPROVE     |                 | DATE |   |

