

TREADMILL GUIDE

GUIDE DU TAPIS ROULANT

GUÍA DE LA CAMINADORA



LUBRICATE

LUBRIFIER

LUBRICAR



3	ENGLISH
14	FRANÇAIS
25	ESPAÑOL



SAVE THESE INSTRUCTIONS

Read the OWNER'S GUIDE before use. When using an electrical product, basic precautions should always be followed, including the following: Read all instructions before using this equipment. It is the responsibility of the owner to ensure that all users of this equipment are adequately informed of all warnings and precautions. If you have any questions after reading this guide, contact Customer Tech Support.

It is essential that this equipment is used only indoors, in a climate-controlled room. If your exercise equipment has been exposed to colder temperatures or high moisture climates, it is strongly recommended that this equipment is warmed up to room temperature prior to use.

This equipment is intended for in-home use only. Do not use this equipment in any commercial, rental, school or institutional setting. Failure to comply will void the warranty.

WARNING

TO REDUCE THE RISK OF BURNS, FIRE, ELECTRICAL SHOCK OR INJURY TO PERSONS:

- Use this equipment only for its intended use as described in this guide and in the equipment's Owner's Manual.
- At NO time should children under the age of 14 use the equipment.
- At NO time should pets or children under the age of 14 be closer to the equipment than 10 feet / 3 meters.
- This equipment is not intended for use by persons with reduced physical, sensory or mental capabilities, or lack of experience and knowledge, unless they are supervised or have been given instruction concerning use of the equipment by a person responsible for their safety.
- Always wear athletic shoes while using this equipment. NEVER operate the exercise equipment with bare feet.
- Do not wear any clothing that might catch on any moving parts of this equipment.
- Heart rate monitoring systems may be inaccurate. Over exercising may result in serious injury or death.
- If you experience any kind of pain, including but not limited to chest pains, nausea, dizziness, or shortness of breath, stop exercising immediately and consult your physician before continuing.
- Do not jump on the equipment.
- At no time should more than one person be on the equipment.
- Set up and operate this equipment on a solid level surface.
- Never operate the equipment if it is not working properly or if it has been damaged.
- Use handlebars to maintain balance when mounting and dismounting, and for additional stability while exercising.
- To avoid injury, do not expose any body parts (for example, fingers, hands, arms or feet) to the drive mechanism or other potentially moving parts of the equipment.
- Connect this exercise product to a properly grounded outlet only.
- This equipment should never be left unattended when plugged in. When not in use, and prior to servicing, cleaning, or moving equipment, turn off power, then unplug from outlet.
- Do not use any equipment that is damaged or has worn or broken parts. Use only replacement parts supplied by Customer Tech Support or an authorized dealer.
- Never operate this equipment if it has been dropped, damaged, or is not working properly, has a damaged cord or plug, is located in a damp or wet environment, or has been immersed in water.
- Keep power cord away from heated surfaces. Do not pull on this power cord or apply any mechanical loads to this cord.
- Do not remove any protective covers unless instructed by Customer Tech Support. Service should only be done by an authorized service technician.
- To prevent electrical shock, never drop or insert any object into any opening.
- Do not operate where aerosol (spray) products are being used or when oxygen is being administered.
- This equipment should not be used by persons weighing more than the specified maximum weight capacity as listed in the equipment Owner's Manual. Failure to comply will void the warranty.
- Do not use this equipment in any location that is not temperature controlled, such as, but not limited to: garages, porches, pool rooms, bathrooms, car ports or outdoors. Failure to comply will void the warranty.
- Contact Customer Tech Support or an authorized dealer for examination, repair and/or service.
- When lowering the treadmill deck, wait until rear feet are firmly on the floor before stepping on the deck.
- To avoid injury, use extreme caution when stepping onto or off of a moving belt. Stand on the siderails when starting the treadmill.
- To avoid injury, attach safety clip to clothing before use.
- Disconnect the safety key from treadmill to prevent uncontrolled usage by third parties.
- Ensure that the edge of the belt is parallel with the lateral position of the side rail and does not move under the side rail. If the belt is not centered, it must be adjusted before use.
- The noise level of the treadmill is less than 70 dB when there is no user on it and may be louder with a user running on the running surface. If the noise of the treadmill bothers you, stop exercising and take a break. Noise emission under load is higher than without load.
- Never operate the treadmill with the air opening blocked. Keep the air opening and the entire motor compartment clean, free of lint, hair, and the like.
- Make sure the treadmill comes to complete stop before folding. Do not operate the treadmill when it is folded.
- When moving the treadmill, DO NOT lift treadmill or turn it upside down or place treadmill on its side. Treadmill has high pressure gas-shocks which can spring open, potentially causing injury. Transport unit ONLY on the ground, and ONLY after it is fully assembled and in the upright folded position with the lock latch secured.



GROUNDING INSTRUCTIONS

This product must be grounded. If a treadmill should malfunction or breakdown, grounding provides a path of least resistance for electrical current to reduce the risk of electrical shock. This product is equipped with a cord having an equipment-grounding conductor and a grounding plug. The plug must be plugged into an appropriate outlet that is properly installed and grounded in accordance with local codes and ordinances.

DANGER!

Improper connection of the equipment-grounding conductor can result in a risk of electric shock. Check with a qualified electrician or service provider if you are in doubt as to whether the product is properly grounded. Do not modify the plug provided with the product. If it will not fit the outlet, have a proper outlet installed by a qualified electrician.

This product is for use on a nominal local voltage circuit and has a grounding plug. No adapter should be used with this product.

This product must be used on a dedicated circuit. To determine if you are on a dedicated circuit, shut off the power to that circuit and observe if any other devices lose power. If so, move devices to a different circuit. Note: There are usually multiple outlets on one circuit.

WARNING!

Connect this exercise product to a properly grounded outlet only.

Never operate product with a damaged cord or plug even if it is working properly. Never operate any product if it appears damaged, or has been immersed in water. Contact Customer Tech Support for replacement or repair.

LOCATION OF THE TREADMILL

Place the treadmill on a level and stable surface. There should be one foot of clearance in front of the treadmill for the power cord. Please leave a clear zone behind the treadmill that is at least the width of the treadmill and at least 79" (2 meters) long. This zone must be clear of any obstruction and provide the user a clear exit path from the machine. In case of an emergency, place both hands on the side arm rests to hold yourself up and place your feet onto the side rails.

For ease of access, there should be an accessible space preferentially on both sides of the treadmill equal to 2 ft (0.6 meters) to allow a user access to the treadmill from either side.

Do not place the treadmill in any area that will block any vent or air openings. The treadmill should not be located in a garage, covered patio, near water or outdoors.

WARNING!

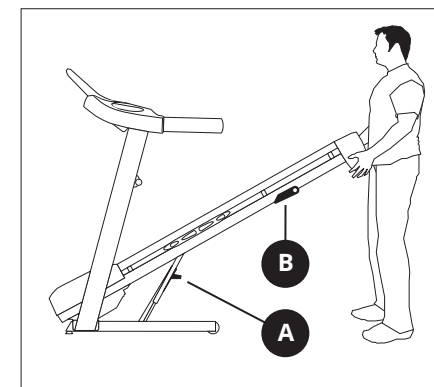
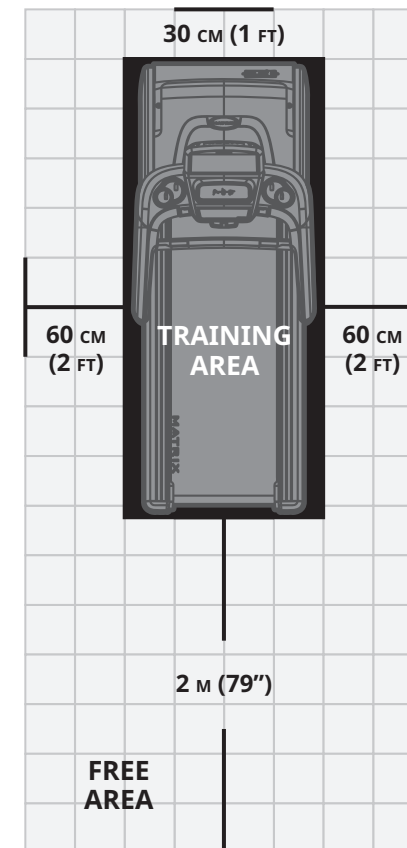
Our treadmills are heavy; use care and additional help if necessary when moving. Do not attempt to move or transport treadmill unless it is in the upright, folded position with the lock latch secured. Failure to follow these instructions could result in injury.

FOLDING TREADMILLS

Some treadmills have a deck that can fold for storage and transport. To fold, firmly grasp the back end of the treadmill. Carefully lift the end of the treadmill deck into the upright position until the lock latch engages and securely locks the deck into position. Make sure the deck is securely latched before letting go.

UNFOLDING

Firmly grasp the back end of the treadmill. If your treadmill has a **FOOT LOCK LATCH (A)**, to unfold, gently press down on the foot lock latch with your foot until the lock latch disengages. If your treadmill has a **DECK LOCK LATCH (B)**, pull the deck lock latch to release the deck. Carefully lower the deck to the ground.



**NOTE:**

This equipment has been tested and found to comply with the limits for a Class B digital device, pursuant to part 15 of the FCC rules. These limits are designed to provide reasonable protection against harmful interference in a residential installation. This equipment generates, uses and can radiate radio frequency energy and, if not installed and used in accordance with the instructions, may cause harmful interference to radio communications. However, there is no guarantee that interference will not occur in a particular installation.

If this equipment does cause harmful interference to radio or television reception, which can be determined by turning the equipment off and on, the user is encouraged to try to correct the interference by one or more of the following measures:

- Reorient or relocate the receiving antenna of the other device, where possible.
- Increase the separation between this equipment and the receiver of the other device, where possible.
- Consult the dealer or manufacturer for help.

Any changes or modifications not expressly approved by the manufacturer may void the warranty for this equipment.

FCC RF RADIATION EXPOSURE STATEMENT:

This equipment complies with FCC RF radiation exposure limits set forth for an uncontrolled environment. This equipment should be installed and operated with a minimum distance of 20 centimeters (8 inches) between the radiator and your body.



MOVING THE TREADMILL

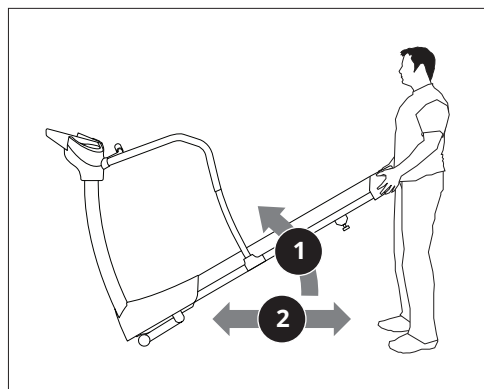
WARNING!

When moving the treadmill, DO NOT lift treadmill or turn it upside down or place treadmill on its side. Treadmill has high pressure gas-shocks which can spring open, potentially causing injury. Transport unit ONLY on the ground, and ONLY after it is fully assembled and in the upright folded position with the lock latch secured.

If you must lift treadmill or disassemble treadmill to move it to a different location, carefully follow these steps to reduce the risk of injury and to prevent the gas-shocks from springing open!

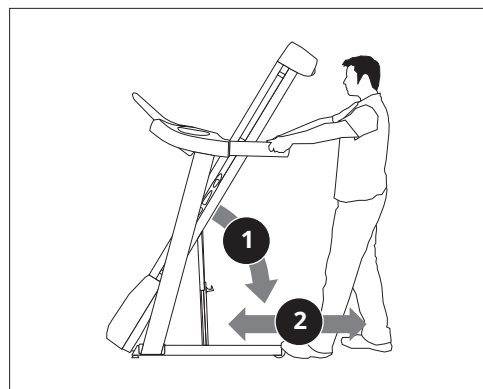
STEPS:

- STRAP:** Use zip ties on both the right and left sides of the treadmill to securely strap the deck frame (the part of the frame that has the running surface) to the folding frame (the part of the frame that stays on the ground when the treadmill is folded up into the storage position).
- TEST:** Once the zip ties are securely in place, try to lift the deck into the folded-up storage position. The zip ties should prevent the deck from being folded up.
- DOUBLE-CHECK:** Carefully tip treadmill onto its side, keeping fingers and hands clear of the folding frame of the treadmill. The zip ties should prevent the high pressure gas-shocks from springing open.
- DISASSEMBLY** (if required). If disassembly of treadmill masts is necessary to relocate treadmill, carefully remove console and masts from the treadmill frame, taking care to protect the console cable where it leaves the mast and enters the treadmill frame. Refer to Assembly section of your Owner's Manual for more information.
- RE-CHECK:** Go back to steps 2 and 3 to re-test and re-check zip ties to ensure that they prevent the high pressure gas shocks from springing open.
- MOVE:** Move treadmill to its new location. Take care to keep fingers and hands clear of the folding frame and the area near the gas-shocks.
- RELOCATE AND REASSEMBLE:** Once treadmill is placed where it is to be used, reassemble treadmill (if necessary). Refer to Assembly section your Owner's Manual for more information. Check to make sure that all bolts and screws are fully tightened and that treadmill is operational.
- CUT ZIP TIES:** At this time, you may cut the zip ties to release the deck from being strapped to the folding frame. Once the zip ties are cut, DO NOT lift treadmill or turn it upside down or place treadmill on its side. Treadmill has high pressure gas-shocks which can spring open, potentially causing injury. Transport unit ONLY on the ground, and ONLY after it is fully assembled and in the upright folded position with the lock latch secured.



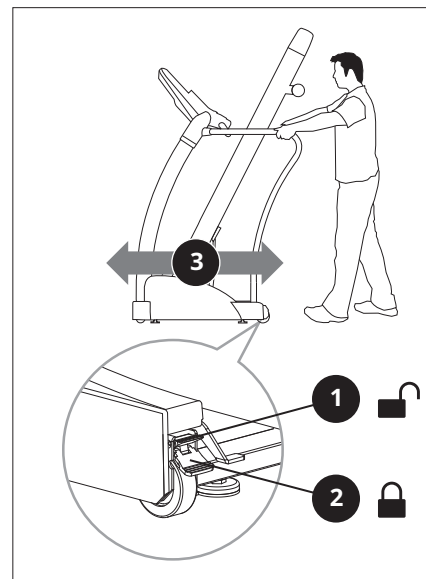
MOVING: NON FOLDING

To move, firmly grasp rear frame and tilt the treadmill up (1) and roll (2).



MOVING: FOLDING 2 WHEELS

To move, make sure the treadmill is folded and securely latched. Then firmly grasp the handlebars, tilt the treadmill back (1) and roll (2).



MOVING: FOLDING 4 WHEELS

The 2 wheel locks must be released before moving. To unlock wheels, push down on the **TOP LEVER (1)** of the rear wheel locks located on the rear corners of the base frame. Then firmly grasp the handlebars, and slowly move the treadmill (3). After moving to the desired location, push down on the **BOTTOM LEVER (2)** of the rear wheel locks to lock the rear wheels.

NOTE: Both rear wheel locks must be locked before using the treadmill.

PROPER USAGE

Your treadmill is capable of reaching high speeds. Always start off using a slower speed and adjust the speed in small increments to reach a higher speed level. Never leave the treadmill unattended while it is running. When not in use, remove the safety key, turn the on/off switch to off and unplug the power cord. Make sure to follow the MAINTENANCE schedule in this guide to maintain optimal performance and prevent premature electronic failure. Keep your body and head facing forward. Do not attempt to turn around or look backwards while the treadmill is running. Stop your workout immediately if you feel pain, faint, dizzy or are short of breath.

CAUTION - RISK OF INJURY TO PERSONS

While you are preparing to use the treadmill, do not stand on the belt. Place your feet on the side rails before starting the treadmill. Start walking on the belt only after the belt has begun to move. Never start the treadmill at a fast running speed and attempt to jump on!

USING THE SAFETY KEY

Your treadmill will not start unless the safety key is placed in position. Attach the clip end securely to your clothing. This safety key is designed to cut the power to the treadmill if you should fall. Check the operation of the safety key every 2 weeks.

WARNING

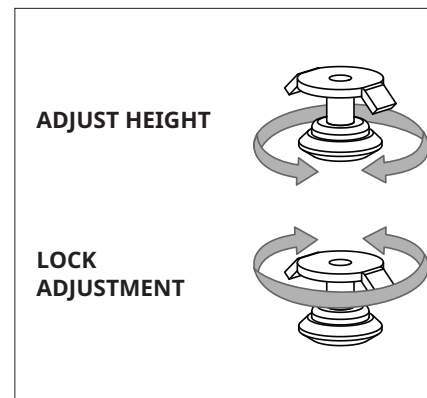
Never use the treadmill without securing the safety key clip to your clothing. Pull on the safety key clip first to make sure it will not come off your clothing.

POWER

Your treadmill is powered by a power supply. The power must be plugged into the power jack, which is located in the front of the machine near the stabilizer tube. Some treadmills have a power switch, located next to the power jack. Make sure it is in the on position. Unplug cord when not in use. NOTE: Some treadmills have an on/off switch located behind the console.

WARNING!

Never operate product if it has a damaged cord or plug, if it is not working properly, if it has been damaged, or immersed in water. Please reference contact information on the back cover of the INFORMATION CARD for assistance.



LEVELING THE TREADMILL

Your treadmill should be level for optimum use. Once you have placed your treadmill where you intend to use it, raise or lower one or both of the adjustable levelers located on the bottom of the treadmill frame. A carpenter's level is recommended. If your treadmill is not level, the running belt may not track properly. Once you have leveled your treadmill, lock the levelers in place by tightening the nuts against the frame.





TROUBLESHOOTING

COMMON PRODUCT QUESTIONS

ARE THE SOUNDS MY TREADMILL MAKES NORMAL?

All treadmills make a certain type of thumping noise due to the belt riding over the rollers, especially new treadmills. This noise will diminish over time, although it may not totally go away. Over time, the belt will stretch, causing the belt to ride smoother over the rollers.

WHY IS THE TREADMILL I PURCHASED LOUDER THAN THE ONE AT THE STORE?

All fitness products seem quieter in a large store showroom because there is generally more background noise than in your home. Also, there will be less reverberation on a carpeted concrete floor than on a wood overlay floor. Sometimes a heavy rubber mat will help reduce reverberation through the floor. If a fitness product is placed close to a wall, there will be more reflected noise.

WHEN SHOULD I BE WORRIED ABOUT A NOISE?

As long as the sounds your treadmill makes are no louder than a normal conversational tone of voice, it is considered normal noise.

BASIC TROUBLESHOOTING

PROBLEM: The console does not light up.

SOLUTION: Verify the following:

Does the red light on the ON/OFF switch light up?

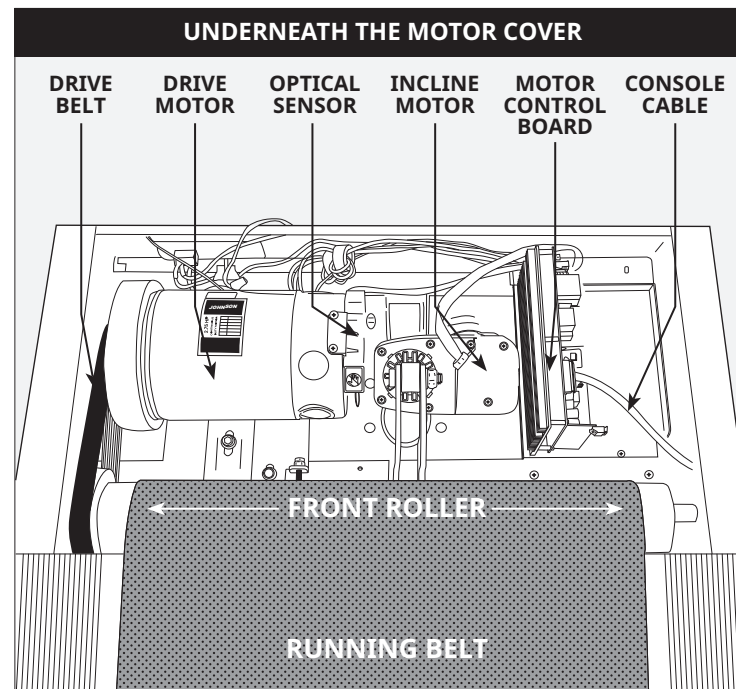
NOTE: Some treadmill models do not have a switch that lights up. If this is the case, please proceed with the yes and no solutions below.

If yes:

- Turn the power off, unplug the power cable and wait 60 seconds. Remove motor cover. Wait until all red LED lights have gone off on the motor control board before proceeding. Next verify that none of the wires connecting to the lower board are loose or disconnected.
- Double-check that all connections are secure, especially the console cable. Unplug and reconnect the console cable to verify.
- Make sure the console cable is not pinched or damaged in any way.
- Plug the treadmill in, turn the power switch on and look for any lit LEDs on the motor control board.

If no:

- Verify that the outlet the machine is plugged into is functional. Double-check that the breaker has not tripped, it is on a dedicated 15-amp circuit, it is not on a GFCI-equipped outlet, and it is not plugged into a power strip/surge protector or extension cord.



- Verify that the power cord is not pinched or damaged and is properly plugged into the outlet AND the machine.
- Verify that the power switch is turned to the ON position.

PROBLEM: The console reads SAFETY KEY OFF or only displays dashes.

SOLUTION: Verify the following:

- Verify the safety key is securely in place.
- If using a magnetic key, make sure the key is magnetized.

FOR TREADMILLS WITH SPEAKERS:

PROBLEM: When MP3 player is connected there is no sound coming from the speakers or the speakers sound fuzzy.

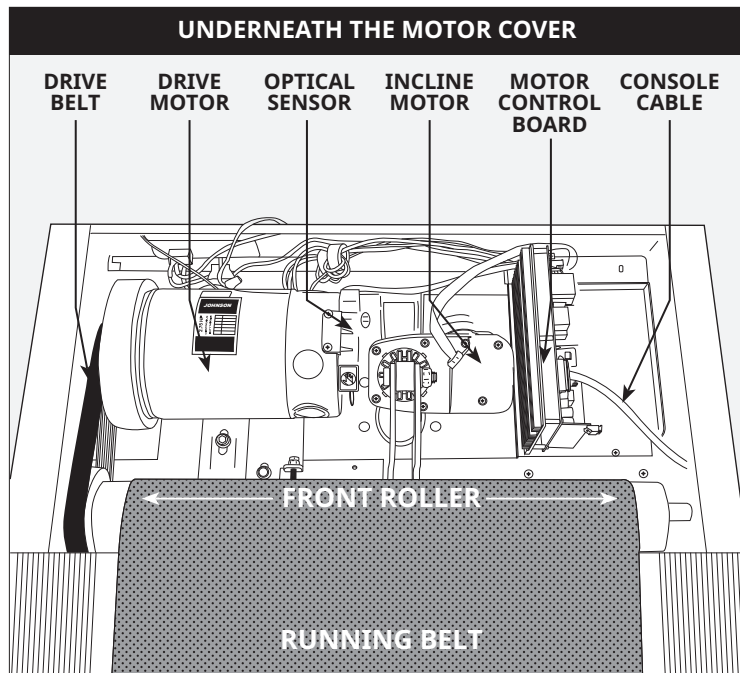
SOLUTION: Make sure audio cable is plugged in securely to both the console and MP3 Player jacks.

BASIC TROUBLESHOOTING

PROBLEM: The belt does not move or moves briefly, but the console works.

SOLUTION: Verify the following:

- Make sure you are following the recommendations and power guidelines on pages 4 and 5 of this TREADMILL GUIDE. The unit should be on a dedicated 15-amp circuit and not on a GFCI-equipped outlet. Do not plug the machine into a power strip/surge protector or extension cord.
- Check for any belt movement. If so, make note of how far or how long it moves before stopping.
- Try to move the belt by hand. If not, the drive belt may have come off or the motor bearings may have seized.
- Turn the treadmill off and unplug it from the outlet. Remove the plastic motor cover located in front of the machine by taking out the Phillips screws. Check the drive belt for proper alignment.
- With the cover still off, check over the wire and cable connections, as they may have become loose or disconnected during shipping or assembly. Make sure connections are secure and no wires are crimped, damaged, disconnected or burnt.



PROBLEM: The incline does not move, won't go down or does not seem to be at the right level.

SOLUTION: Verify the following:

- Make sure you are following the recommendations and power guidelines on pages 4 and 5 of this TREADMILL GUIDE. The unit should be on a dedicated 15-amp circuit and not on a GFCI-equipped outlet. Do not plug the machine into a power strip/surge protector or extension cord.
- Make sure the console shows a change on the display when the elevation buttons are pressed.
- Turn the treadmill off and unplug it from the outlet. Verify the console cable connections at the top of the mast are connected securely. Make sure all of the multicolored wires are fully inserted into the cable harness.
- Remove the plastic motor cover located in front of the machine by taking out the Phillips screws. Check over the wire and cable connections, as they may have become loose or disconnected during shipping or assembly. Make sure connections are secure and no wires are crimped, damaged, disconnected or burnt.

PROBLEM: No audio comes out of the speakers, but the headphones work.

SOLUTION: Verify the following:

- Turn the treadmill off and unplug it from the outlet. Remove the plastic motor cover located in front of the machine by taking out the Phillips screws.
- Check the wire and cable connections to the speaker board, near the motor control board.

PROBLEM: The treadmill circuit breaker trips during a workout.

SOLUTION: Verify the following:

- Make sure the treadmill is plugged into a dedicated 15-amp circuit.
- Verify that you do not have the machine on an extension cord or surge protector.
- Confirm that the machine is not plugged into a GFCI-equipped outlet or on a circuit that has a GFCI-equipped outlet on it.

PROBLEM: The running belt does not stay centered during a workout.

SOLUTION: Verify the following:

- Make sure the treadmill is on a level surface.
- Verify that the belt is properly tightened and centered (Refer to the TENSIONING and CENTERING THE RUNNING BELT sections for detailed directions).

PROBLEM: Operating speed appears inaccurate.

SOLUTION:

- Turn the treadmill off and unplug it from the wall.
- Remove the screws from the motor cover screws using a Phillips screwdriver.
- Verify that the optical sensor is plugged into the motor control board.
- Inspect the speed sensor cable/connection for any visible damage.





TROUBLESHOOTING HEART RATE (GRIP-PULSE ONLY)

Check your exercise environment for sources of interference such as fluorescent lights, computers, underground fencing, home security systems or appliances containing large motors. These items may cause erratic heart rate readouts.

You may experience an erratic readout under the following conditions:

- Gripping the heart rate handlebars too tight. Try to maintain moderate pressure while holding onto the heart rate handlebars.
- Constant movement and vibration due to constantly holding the heart rate handlebars while exercising. If you are receiving erratic heart rate readouts, try to only hold the grips long enough to monitor your heart rate.
- When you are breathing heavily during a workout.
- When your hands are constricted by wearing a ring.
- When your hands are dry or cold. Try to moisten your palms by rubbing them together to warm.
- Anyone with heavy arrhythmia.
- Anyone with arteriosclerosis or peripheral circulation disorder.
- Anyone whose skin on the measuring palm is especially thick.

NEED ASSISTANCE?

If this troubleshooting section does not remedy the problem, discontinue use and turn the power off.



Please reference contact information from local service or on the INFORMATION CARD if available for assistance.

The following information may be asked of you when you call. Please have these items readily available:

- Model Name
- Serial Number
- Proof of Purchase

Some common troubleshooting questions that may be asked are:

- How long has this problem been occurring?
- Does this problem occur with every use? With every user?
- If you are hearing a noise, does it come from the front or the back? What kind of noise is it (thumping, grinding, squeaking, chirping etc.)?
- Has the machine been maintained per the MAINTENANCE schedule?

Answering these and other questions will give the technicians the ability to send proper replacement parts and the service necessary to get you and your treadmill running again!

You may find more troubleshooting suggestions on the customer support section of our website.

MAINTENANCE

Preventative maintenance is the key to smooth operating equipment, as well as keeping the users' liability to a minimum. Equipment needs to be inspected at regular intervals. Defective components must be replaced immediately. Improperly working equipment must be kept out of use until it is repaired. Ensure that any person(s) making adjustments or performing maintenance or repair of any kind is qualified to do so.

WARNING

To remove power from the treadmill, the power cord must be disconnected from the wall outlet.

MAINTENANCE SCHEDULE	
ACTION	FREQUENCY
<p>Clean and inspect the treadmill:</p> <ul style="list-style-type: none"> • Turn off the treadmill with the ON/OFF switch, then unplug the power cord at the wall outlet. • Wipe down the running belt, deck, motor cover and console casing with a damp cloth. Never use solvents, as they can cause damage to the treadmill. • Inspect the power cord. If the power cord is damaged, please reference contact information on the back cover of the INFORMATION CARD for assistance. • Make sure the power cord is not underneath the treadmill or in any other area where it can become pinched or cut during storage or use. • Check the tension and alignment of the running belt. Make sure that the treadmill belt will not damage any other components on the treadmill by being misaligned. • If any labels are damaged or illegible, please reference contact information on the back cover of the INFORMATION CARD for assistance. 	DAILY
<p>Clean underneath the treadmill:</p> <ul style="list-style-type: none"> • Turn off the treadmill with the ON/OFF switch, then unplug the power cord at the wall outlet. • Fold the treadmill into the upright position, making sure that the lock latch is secure. • Move the treadmill. • Wipe or vacuum any dust particles or other objects that may have accumulated underneath the treadmill. • Return the treadmill to its previous position. 	WEEKLY
<p>IMPORTANT!</p> <ul style="list-style-type: none"> • Turn off the treadmill with the ON/OFF switch, then unplug the power cord at the wall outlet. Wait 60 seconds. • Inspect all assembly bolts of the machine for proper tightness. • Remove the motor cover. Wait until ALL display screens turn off. • Clean the motor and lower board area to eliminate any lint or dust particles that may have accumulated. Failure to do so may result in premature failure of key electrical components. • Wipe down the belt with a damp cloth. Vacuum any black/white particles that may accumulate around the unit. These particles may accumulate from normal treadmill use. • If your treadmill has air shocks under the deck for lift assistance, lubricate the silver air shock tube with Teflon-based spray found at your local hardware or bike store. 	MONTHLY





MAINTENANCE SCHEDULE

LUBRICATING THE RUNNING BELT

EVERY 3 MONTHS OR 150 MILES

It is necessary to lubricate your treadmill running deck every three months or 150 miles to maintain optimal performance. Once the treadmill records 150 miles it will display the message "LUBE" or "LUBE BELT." The treadmill will not operate while the message is showing. Your treadmill came with a bottle of 100% silicone lubricant, which can be used for two applications.

Go to this website to purchase additional Silicone Lubricant: www.johnsonfit.com/lubricant

Tools Needed:

- Blue-handled T-wrench or Allen wrench
- 100% silicone oil

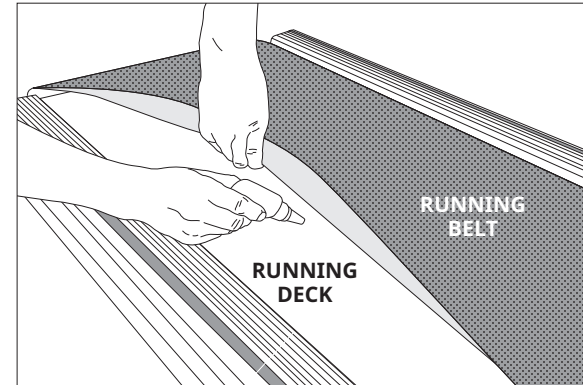
PROCEDURE:

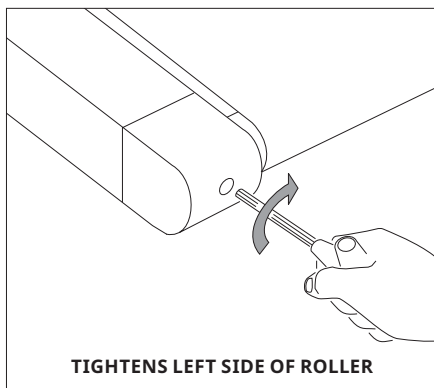
1. Turn off the treadmill with the on/off switch and unplug the power cord at the wall outlet.
2. Using the T-wrench or Allen wrench, loosen the rear roller bolts 10-15 counter-clockwise turns. This should give the belt enough slack for you to lift it.
3. Lift the belt as far as you can and squirt the silicone oil in a zigzag pattern across the entire running deck surface. Use 1/2 bottle of silicone lubricant. Do not apply the silicone oil on top of the running belt. Lay the running belt down and then tighten both rear roller bolts clockwise the same number of turns loosened.
4. After you have applied lubricant, plug in the power cord, and insert the safety key. Reset the Lube Belt message by first pressing and holding the **SPEED UP** button, then **STOP** button and hold BOTH buttons for 5-7 seconds.
5. Stay off of the machine and press **START**. Allow the belt to run at 3 mph for 3 minutes to begin spreading the silicone. Then walk on the machine at a comfortable speed for 3 minutes to complete spreading the silicone and to check the running belt for proper tension and alignment.
6. Once the belt is centered and tensioned, stop the belt. Wipe any excess oil from the sides with a damp cloth.

Press any key to suspend the lubrication warning message until after your next workout. Note: Some older models may require you to hold stop for 5 seconds to suspend message for 5 miles of use.

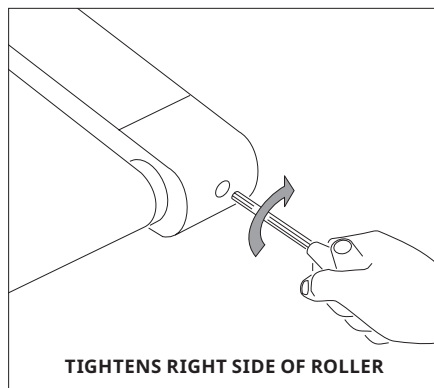
If your treadmill has air shocks under the deck for lift assistance, lubricate the silver air shock tube with Teflon-based spray found at your local hardware or bike store.

Visit the Customer Support section of our website to view "how-to" maintenance videos. Please contact Customer Tech Support with questions about applying lubricant to your treadmill.

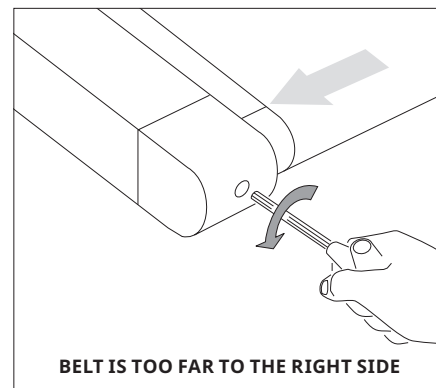




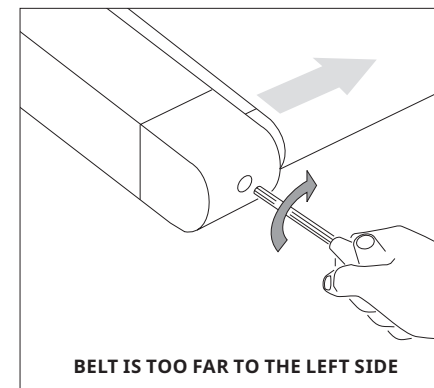
TIGHTENS LEFT SIDE OF ROLLER



TIGHTENS RIGHT SIDE OF ROLLER



BELT IS TOO FAR TO THE RIGHT SIDE



BELT IS TOO FAR TO THE LEFT SIDE



TENSIONING THE RUNNING BELT

For more information and/or how-to videos, visit our Customer Support section on our website. Contact information is located on the back page of the INFORMATION CARD.

WARNING

Running belt should NOT be moving during tensioning. Over-tightening the running belt can cause excessive wear on the treadmill as well as its components. Never over-tighten the belt.

If you can feel a slipping sensation when running on the treadmill, the running belt must be tightened. In most cases, the belt has stretched from use, causing the belt to slip. This is a normal and common adjustment. To eliminate this slipping, **turn the treadmill off** and tension **both the rear roller bolts** using the supplied Allen wrench, turning them $\frac{1}{4}$ turn to the right (clockwise) as shown. Turn the treadmill on and check for slipping. Repeat if necessary, but **never turn** the roller bolts more than $\frac{1}{4}$ turn at a time. Belt is properly tensioned when the slipping sensation is gone.

CENTERING THE RUNNING BELT

For more information and/or how-to videos, visit our Customer Support section on our website. Contact information is located on the back page of the INFORMATION CARD.

CAUTION

Do not run belt faster than 1 mph while centering. Keep fingers, hair and clothing away from belt at all times.

If the running belt is too far to the right side: Using the supplied Allen wrench and with the treadmill running at 1 mph turn the **LEFT** adjustment bolt counter-clockwise a $\frac{1}{4}$ turn and wait for the belt to adjust itself. Use the motor cover marking or part line as a reference for alignment. Repeat if necessary, until the belt remains centered during use.

If the running belt is too far to the left side: Using the supplied Allen wrench and with the treadmill running at 1 mph turn the **LEFT** adjustment bolt clockwise a $\frac{1}{4}$ turn and wait for the belt to adjust itself. Use the motor cover marking or part line as a reference for alignment. Repeat if necessary, until the belt remains centered during use.

- If you find the belt is slipping because it is too loose, center it then tension as needed.
- For easier adjustment bolt access, remove the end caps.



CONSERVEZ CES INSTRUCTIONS

Lisez le GUIDE DU PROPRIÉTAIRE avant utilisation. Lors de l'utilisation d'un produit électrique, des précautions de base doivent toujours être respectées, notamment les suivantes : Lisez toutes les instructions avant d'utiliser cet équipement. Il incombe au propriétaire de s'assurer que tous les utilisateurs de cet équipement sont correctement informés de tous les avertissements et de toutes les précautions. Si vous avez des questions après avoir lu ce guide, contactez le support technique.

Il est essentiel que cet équipement ne soit utilisé qu'à l'intérieur, dans une pièce climatisée. Si votre équipement a été exposé à des températures plus froides ou à des climats très humides, il est fortement recommandé de réchauffer cet équipement jusqu'à la température ambiante avant utilisation.

Cet équipement est destiné à un usage domestique uniquement. N'utilisez pas cet équipement dans un environnement commercial, locatif, scolaire ou institutionnel. En cas de non respect de ces instructions, la garantie sera annulée.

AVERTISSEMENT

POUR RÉDUIRE LE RISQUE DE BRÛLURE, D'INCENDIE, DE CHOC ÉLECTRIQUE OU DE BLESSURE :

- Utilisez cet équipement uniquement pour l'usage prévu, tel que décrit dans ce guide et dans le manuel du propriétaire.
- Les enfants de moins de 14 ans ne doivent à aucun moment utiliser l'équipement.
- À aucun moment, les animaux de compagnie et les enfants de moins de 14 ans ne doivent s'approcher de cet équipement à moins de 3 mètres.
- Cet équipement n'est pas destiné à être utilisé par des personnes ayant des capacités physiques, sensorielles ou mentales réduites, ou un manque d'expérience et de connaissances, à moins d'être supervisées ou avoir été formées à l'utilisation de l'équipement par une personne responsable de leur sécurité.
- Portez toujours des chaussures de sport lorsque vous utilisez cet équipement. N'utilisez JAMAIS l'équipement d'exercice pieds nus.
- Ne portez pas de vêtements susceptibles de se coincer dans des pièces mobiles de cet équipement.
- Les systèmes de surveillance de la fréquence cardiaque peuvent être inexacts. S'exercer de manière excessive peut entraîner des blessures graves ou la mort.
- Si vous ressentez une douleur quelconque, notamment des douleurs à la poitrine, des nausées, des étourdissements ou un essoufflement, arrêtez immédiatement de faire l'exercice et consultez votre médecin avant de continuer.
- Ne sautez pas sur l'équipement.
- À aucun moment, plus d'une personne ne doit se trouver sur l'équipement.
- Installez et faites fonctionner l'équipement sur une surface plane et solide.
- N'utilisez jamais l'équipement s'il ne fonctionne pas correctement ou s'il a été endommagé.
- Utilisez les barres de maintien pour garder l'équilibre lors de la montée et de la descente, et pour une stabilité supplémentaire pendant l'exercice.
- Pour éviter toute blessure, n'exposez aucune partie du corps (par exemple les doigts, mains, bras ou pieds) au mécanisme d'entraînement ou à d'autres pièces de l'équipement potentiellement mobiles.
- Connectez ce produit d'exercice uniquement à une prise correctement mise à la terre.
- Cet équipement ne doit jamais être laissé sans surveillance lorsqu'il est branché. En cas de non-utilisation, et avant de procéder à la maintenance, au nettoyage ou au déplacement de l'équipement, coupez l'alimentation et débranchez la prise.
- N'utilisez pas de matériel endommagé ou présentant des pièces usées ou cassées. Utilisez uniquement des pièces de rechange fournies par le support technique client ou un revendeur agréé.
- N'utilisez jamais cet équipement s'il est tombé, s'il est endommagé ou s'il ne fonctionne pas correctement, si son cordon ou sa fiche est endommagé, s'il est situé dans un environnement humide ou mouillé ou s'il a été immergé dans l'eau.
- Tenez le cordon d'alimentation à l'écart des surfaces chauffées. Ne tirez pas sur ce cordon d'alimentation et n'appliquez pas de charges mécaniques sur ce cordon.
- Ne retirez pas les caches de protection, sauf sur demande de l'assistance technique client. L'entretien ne doit être effectué que par un technicien de service autorisé.
- Pour éviter les chocs électriques, ne laissez jamais tomber ou n'insérez aucun objet dans une ouverture.
- Ne l'utilisez pas lorsque des aérosols (sprays) sont utilisés ou lorsque de l'oxygène est administré.
- Cet équipement ne doit pas être utilisé par des personnes pesant plus que la capacité de poids maximum spécifiée dans le manuel du propriétaire de l'équipement. En cas de non respect de ces instructions, la garantie sera annulée.
- N'utilisez pas cet équipement dans un endroit où la température n'est pas contrôlée, comme les garages, les vérandas, les salles de billard, les salles de bain, les abris de voiture ou à l'extérieur. En cas de non respect de ces instructions, la garantie sera annulée.
- Contactez le support technique client ou un revendeur agréé pour examen, réparation et/ou entretien.
- Lorsque vous abaissez la plateforme du tapis de course, attendez que les pieds arrière soient posés fermement sur le sol avant de monter sur la plateforme.
- Pour éviter les blessures, soyez extrêmement prudent lorsque vous montez ou descendez d'une courroie en mouvement. Tenez-vous sur les rails latéraux lorsque vous démarrez le tapis de course.
- Pour éviter les blessures, attachez le clip de sécurité aux vêtements avant utilisation.
- Déconnectez la clé de sécurité pour empêcher toute utilisation incontrôlée du tapis de course par des tiers.
- Assurez-vous que le bord de la bande de course est parallèle à la position latérale du rail latéral et ne bouge pas sous le rail latéral. Si la courroie n'est pas centrée, elle doit être ajustée avant utilisation.
- Le niveau de bruit du tapis de course est inférieur à 70 dB en l'absence d'utilisateur et peut être supérieur en utilisation. Si le bruit du tapis de course vous dérange, arrêtez-vous et faites une pause. L'émission de bruit sous charge est plus élevée que sans charge.
- N'utilisez jamais le tapis de course avec l'ouverture d'air bloquée. Gardez l'ouverture d'air propre et le compartiment moteur entier exempts de peluches, de cheveux et autres crasses.
- Assurez-vous que le tapis de course est à l'arrêt complet avant de le plier. Ne faites pas fonctionner le tapis de course quand il est plié.
- Lorsque vous déplacez le tapis de course, NE le soulevez PAS, NE le retournez PAS et NE le placez PAS sur le côté. Le tapis de course est équipé d'amortisseurs à gaz haute pression susceptibles de s'ouvrir et éventuellement de causer des blessures. Transportez l'appareil UNIQUEMENT sur le sol, et UNIQUEMENT après l'avoir complètement assemblé et en position repliée debout, avec le loquet de verrouillage bien en place.



INSTRUCTIONS DE MISE À LA TERRE

En cas de dysfonctionnement ou de défaillance du tapis de course, la mise à la terre fournira au courant électrique une résistance moindre afin de réduire les risques d'électrocution. Cet appareil est équipé d'un cordon d'alimentation avec conducteur et fiche de mise à la terre. Cet appareil doit être branché sur une prise de courant adéquate, installée correctement, et mise à la terre conformément aux normes et aux règlements locaux. Cet appareil doit être branché sur une prise de courant adéquate, installée correctement, et mise à la terre conformément aux normes et aux règlements locaux.

DANGER!

La connexion inappropriée du conducteur de mise à la terre de l'appareil peut occasionner un risque d'électrocution. Demandez conseil à un électricien ou à un dépanneur si vous n'êtes pas sûr que l'appareil est correctement relié à la terre. Ne modifiez pas la prise d'alimentation fournie avec l'appareil. Si elle ne convient pas à votre prise de courant, faites installer une prise adéquate par un électricien qualifié.

Ce produit est destiné à être utilisé sur un circuit à tension nominale et possède une fiche de mise à la terre. Aucun adaptateur ne doit être utilisé avec ce produit.

Cet appareil doit être alimenté par un circuit particulier. Pour déterminer si l'appareil est bien sur un circuit distinct, coupez l'alimentation et vérifiez si d'autres appareils s'éteignent. Si c'est bien le cas, branchez ces appareils à un autre circuit. Remarque : un même circuit comporte habituellement plusieurs prises.

AVERTISSEMENT

Raccordez cet appareil d'exercice uniquement à une prise correctement mise à la terre.

N'utilisez pas un appareil dont le câble ou la prise est endommagé(e) même si l'appareil fonctionne correctement. Vous ne devez en aucun cas utiliser un appareil qui a été endommagé ou immergé dans l'eau. Appelez l'assistance technique pour un remplacement ou une réparation.

EMPLACEMENT DU TAPIS DE COURSE

Installez votre tapis de course sur une surface plane et stable. Prévoyez un dégagement de 30 cm devant le tapis de course pour le câble d'alimentation. Veillez à laisser un espace libre d'au moins 2 m de long derrière le tapis de course, dont la largeur correspond au minimum à celle du tapis de course. Cet espace doit être exempt de tout obstacle et doit permettre à l'utilisateur de descendre de l'appareil sans encombre. En cas d'urgence, prenez appui en posant les mains de chaque côté des accoudoirs et placez vos pieds sur les rails latéraux.

Afin de faciliter l'accès à l'appareil, un espace libre large de 60 cm doit être prévu de préférence des deux côtés du tapis de course pour permettre à l'utilisateur d'accéder au tapis aussi bien d'un côté que de l'autre.

Ne placez pas le tapis de course de façon à bloquer la circulation d'air ou les grilles d'aération. Le tapis de course ne doit pas être placé dans un garage, une véranda, près d'une source d'eau ni à l'extérieur.

AVERTISSEMENT !

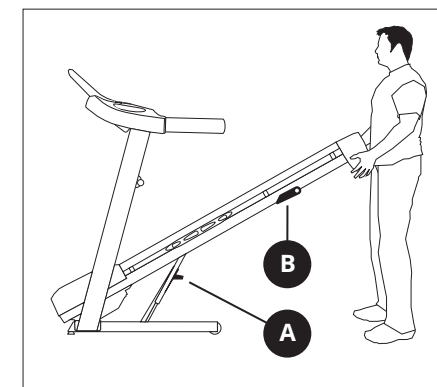
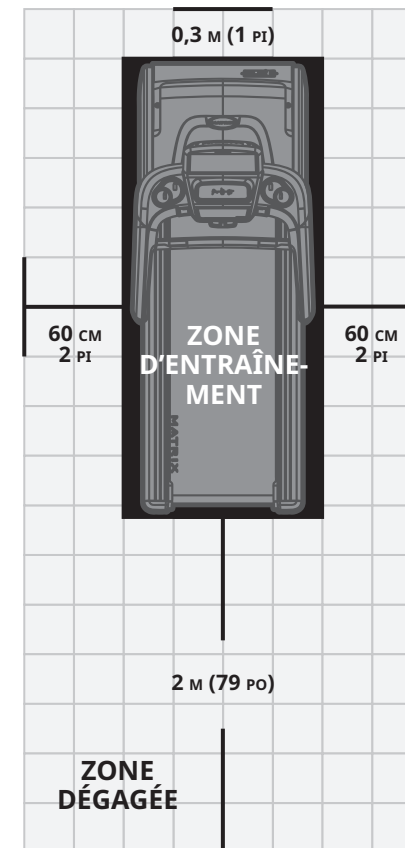
Les tapis de course sont très lourds, soyez prudent et appelez quelqu'un pour vous aider à transporter votre appareil si nécessaire. Ne déplacez ou ne transportez pas le tapis de course si la plateforme n'est pas repliée en position verticale et que le loquet de verrouillage n'est pas enclenché. Le non-respect de ces instructions peut provoquer des blessures.

REPLIER LES TAPIS DE COURSE

Certains tapis de course sont équipés d'une plateforme qui peut se replier pour le transport et le stockage. Pour replier l'appareil, saisissez fermement l'arrière du tapis de course. Soulevez l'extrémité de la plateforme du tapis de course avec précaution, positionnez la plateforme à la verticale, jusqu'à ce que le loquet de verrouillage s'enclenche et que la plateforme se bloque. Assurez-vous que la plateforme est bien verrouillée avant de la lâcher.

DÉPLIER LES TAPIS DE COURSE

Saisissez fermement l'arrière du tapis de course. Si votre tapis de course est équipé d'une **PÉDALE DE VERROUILLAGE (A)**, appuyez doucement sur la pédale avec votre pied pour débloquer la plateforme et la déplier. Si votre tapis de course est équipé d'un **LOQUET DE VERROUILLAGE SUR LA PLATEFORME (B)**, tirez ce loquet pour débloquer la plateforme. Abaissez la plateforme avec précaution jusqu'au sol.



**REMARQUE :**

Cet équipement a été testé et déclaré conforme aux limites applicables aux appareils numériques de classe B, conformément à la partie 15 des règles de la FCC. Ces limites sont conçues pour fournir une protection raisonnable contre les interférences nuisibles dans une installation résidentielle. Cet équipement génère, utilise et peut émettre une énergie de fréquence radio et, s'il n'est pas installé et utilisé conformément aux instructions, peut provoquer des interférences nuisibles aux communications radio. Cependant, rien ne garantit que des interférences ne se produiront pas dans une installation spécifique.

Si cet équipement cause des interférences nuisibles à la réception radio ou télévision, ce qui peut être déterminé en éteignant puis en rallumant l'équipement, l'utilisateur est invité à essayer de corriger l'interférence par une ou plusieurs des mesures suivantes :

- Réorientez ou déplacez l'antenne de réception de l'autre appareil, si possible.
- Augmentez la distance entre cet équipement et le récepteur de l'autre appareil, si possible.
- Consultez le revendeur ou le fabricant pour obtenir de l'aide.

Tout changement ou modification non expressément approuvé par le fabricant peut annuler la garantie de cet équipement.

DÉCLARATION D'EXPOSITION AUX RADIATIONS RF DE LA FCC :

Cet équipement est conforme aux limites d'exposition aux rayonnements RF établies par la FCC pour un environnement non contrôlé. Cet équipement doit être installé et utilisé avec une distance minimale de 20 centimètres (8 pouces) entre le radiateur et votre corps.

DÉPLACEMENT DU TAPIS DE COURSE

AVERTISSEMENT!

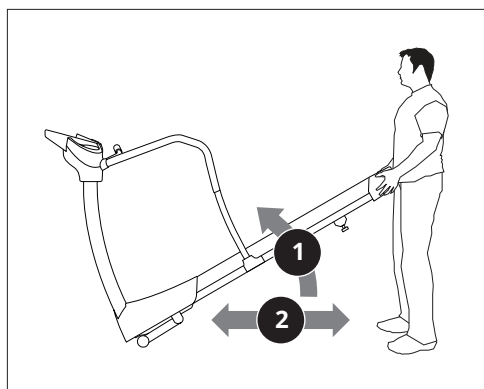
Lorsque vous déplacez le tapis de course, NE le soulevez PAS, NE le retournez PAS et NE le placez PAS sur le côté. Le tapis de course est équipé d'amortisseurs à gaz haute pression susceptibles de s'ouvrir et éventuellement de causer des blessures. Transportez l'appareil UNIQUEMENT sur le sol, et UNIQUEMENT après l'avoir complètement assemblé et en position repliée debout, avec le loquet de verrouillage bien en place.

Si vous devez soulever le tapis de course ou le démonter pour le déplacer, suivez attentivement les étapes suivantes pour réduire le risque de blessure et empêcher le déclenchement des amortisseurs à gaz.

ÉTAPES:

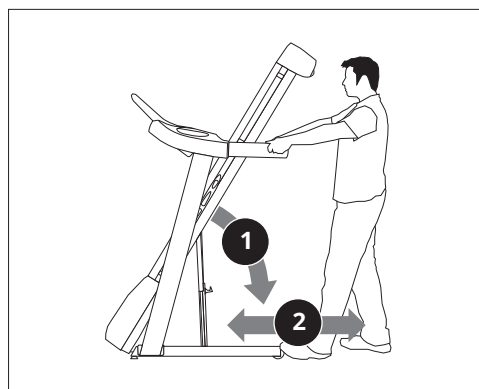
- 1. ATTACHER :** Utilisez les colliers de serrage à droite et à gauche du tapis de course pour fixer fermement le cadre de la plateforme (la partie où se trouve la surface de course) au cadre pliable (la partie qui reste au sol lorsque le tapis de course est replié en position de stockage).
- 2. TESTER :** Une fois que les colliers de serrage sont bien en place, essayez de soulever la plateforme pour la placer en position de stockage repliée. Les colliers de serrage ne doivent pas permettre de replier la plateforme.
- 3. RE-VÉRIFIER :** Renversez délicatement le tapis de course sur le côté, en gardant les doigts et les mains à l'écart du cadre pliant du tapis de course. Les colliers de serrage doivent empêcher le déclenchement des amortisseurs à gaz à haute pression.

- 4. DÉMONTÉ (si nécessaire).** S'il est nécessaire de démonter les montants du tapis de course pour placer ce dernier dans un autre lieu, retirez avec précaution la console et ses montants du tapis de course, en veillant à protéger le câble de console à la sortie du montant et à l'entrée du cadre du tapis de course. Pour en savoir plus, consultez la partie Montage du manuel du propriétaire.
- 5. RE-VÉRIFIER :** Retournez aux étapes 2 et 3 pour tester et contrôler à nouveau les colliers de serrage afin de vous assurer que ces derniers empêchent le déclenchement des amortisseurs à gaz à haute pression.
- 6. DÉPLACER :** Déplacez le tapis de course jusqu'à son nouvel emplacement. Veillez à tenir les doigts et les mains à l'écart du cadre pliable et de la zone à proximité des amortisseurs à gaz.
- 7. REPLACER ET REMONTER :** Une fois que le tapis de course est placé à l'endroit où il devra être utilisé, procédez au nouveau montage du tapis de course (si nécessaire). Pour en savoir plus, consultez la partie Montage du manuel du propriétaire. Assurez-vous que tous les boulons et toutes les vis sont correctement serrés et que le tapis de course est en état de fonctionner.
- 8. COUPER LES COLLIERS DE SERRAGE :** À ce stade, vous pouvez couper les colliers de serrage pour libérer la plateforme fixée au cadre pliable. Après avoir coupé les colliers de serrage, NE soulevez PAS, NE retournez PAS et NE placez PAS le tapis de course sur le côté. Le tapis de course est équipé d'amortisseurs à gaz haute pression susceptibles de s'ouvrir et éventuellement de causer des blessures. Transportez l'appareil UNIQUEMENT sur le sol, et UNIQUEMENT après l'avoir complètement assemblé et en position repliée debout, avec le loquet de verrouillage bien en place.



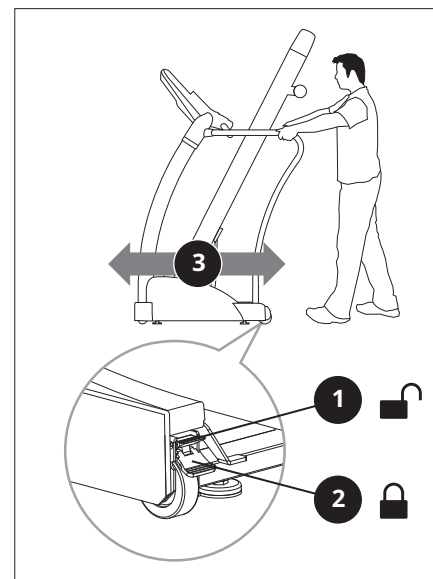
DÉPLACEMENT : APPAREIL NON PLIABLE

Pour déplacer l'appareil, saisissez fermement l'arrière du châssis, inclinez le tapis de course vers l'arrière (1) et faites-le rouler (2).



DÉPLACEMENT : APPAREIL PLIABLE À 2 ROULETTES

Avant de déplacer le tapis de course, assurez-vous qu'il est replié et verrouillé. Saisissez fermement les poignées, inclinez le tapis de course vers l'arrière (1) et faites-le rouler (2).



DÉPLACEMENT : APPAREIL PLIABLE À 4 ROULETTES

Les 2 dispositifs de blocage des roulettes doivent être déverrouillés avant de déplacer l'appareil. Pour débloquer les roulettes, appuyez sur le **LEVIER SUPÉRIEUR (1)** des dispositifs de blocage de roulettes arrière, situés à chaque extrémité arrière du châssis. Saisissez ensuite fermement les poignées et faites doucement rouler le tapis de course (3). Après avoir positionné le tapis à l'emplacement voulu, appuyez sur le **LEVIER INFÉRIEUR (2)** des dispositifs de blocage des roulettes arrière afin de verrouiller les roulettes arrière.

REMARQUE : les deux dispositifs de blocage des roulettes arrière doivent être enclenchés avant d'utiliser le tapis de course.





RÈGLES D'UTILISATION

Votre tapis de course peut atteindre des vitesses élevées. Commencez toujours par une vitesse faible puis réglez la vitesse par petits incréments pour atteindre un niveau de vitesse plus élevé. Ne laissez jamais l'appareil en marche sans surveillance lorsque vous ne l'utilisez pas. Lorsque le tapis de course n'est pas utilisé, retirez la clé de sécurité, mettez l'interrupteur sur arrêt puis débranchez le cordon d'alimentation. Veillez à respecter le programme d'ENTRETIEN présenté dans ce guide pour maintenir une performance optimale et éviter l'usure prématurée des composants électroniques. Maintenez votre corps et votre tête orientés vers l'avant. Ne vous tournez pas ou ne regardez pas vers l'arrière lorsque le tapis de course est en marche. Arrêtez les exercices immédiatement en cas de douleur, de faiblesse, de vertige ou d'essoufflement.

ATTENTION - RISQUE DE BLESSURE

Ne mettez jamais en marche le tapis de course pendant que vous vous tenez debout sur la bande de course. Placez les pieds sur les rails latéraux avant de faire fonctionner le tapis de course. Montez sur le tapis uniquement lorsque la bande de course se met à défiler. Ne démarrez pas le tapis à une vitesse de course rapide en essayant de sauter dessus !

UTILISATION DE LA CLÉ DE SÛRETÉ

Votre tapis de course ne démarrera pas si la clé de sécurité n'est pas insérée dans l'emplacement réservé à cet effet. Fixez solidement le clip de sécurité à l'un de vos vêtements. Cette clé de sécurité est conçue pour couper l'alimentation du tapis de course en cas de chute. Assurez-vous du bon fonctionnement de la clé de sécurité tous les quinze jours.

AVERTISSEMENT

N'utilisez jamais le tapis de course sans avoir d'abord fixé le clip de sécurité à l'un de vos vêtements. Tirez sur le clip de sécurité pour vérifier qu'il est fixé solidement à vos vêtements.

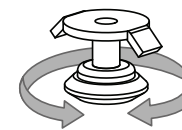
ALIMENTATION

Votre tapis de course fonctionne avec une alimentation électrique. Le câble d'alimentation doit être branché au connecteur d'alimentation situé à l'avant de l'appareil, près de la barre stabilisatrice. Certains tapis de course sont équipés d'un interrupteur marche/arrêt situé près du connecteur d'alimentation. Assurez-vous que celui-ci est en position « Marche ». Débranchez le câble lorsque l'appareil n'est pas utilisé. REMARQUE : certains tapis de course sont équipés d'un interrupteur marche/arrêt situé derrière la console.

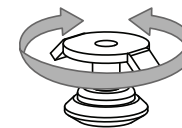
AVERTISSEMENT !

N'utilisez jamais l'appareil si le câble d'alimentation ou la prise est endommagé(e), s'il ne fonctionne pas correctement, s'il a été endommagé ou s'il a été immergé. En cas de besoin, les coordonnées de l'assistance technique se trouvent au dos de la CARTE D'INFORMATION.

RÉGLAGE DE
LA HAUTEUR



VERROUILLAGE
DU DISPOSITIF



MISE DE NIVEAU DU TAPIS DE COURSE

Pour une utilisation optimale, votre appareil doit être mis de niveau. Lorsque le tapis de course est installé à l'emplacement souhaité, remontez ou descendez l'un des pieds réglables, ou les deux, qui sont situés au bas du châssis du tapis de course. L'utilisation d'un niveau à bulle est recommandée. La bande de course ne fonctionnera pas correctement si le tapis de course n'est pas de niveau. Une fois votre tapis de course de niveau, verrouillez la position des pieds réglables en serrant les écrous contre le châssis.

DÉPANNAGE

QUESTIONS FRÉQUENTES RELATIVES AU PRODUIT

LES SONS QU'ÉMET MON TAPIS DE COURSE SONT-ILS NORMAUX ?

Tous les tapis de course, surtout neufs, émettent un bruit sourd dû au passage de la bande sur les rouleaux. Ce bruit diminuera au fil du temps mais ne disparaîtra jamais complètement. La bande aura tendance à s'étirer avec le temps et glissera plus facilement sur les rouleaux.

POURQUOI LE TAPIS DE COURSE QUE J'AI ACHETÉ EST-IL PLUS BRUYANT QUE CELUI PRÉSENTÉ EN MAGASIN ?

Tous les produits de remise en forme exposés dans un grand magasin semblent toujours être plus silencieux car le bruit de fond y est plus élevé que chez vous. La réverbération acoustique est également moindre sur un sol en béton recouvert de moquette que sur un parquet. L'installation d'un tapis épais en caoutchouc sous l'appareil peut aider à réduire la réverbération sur le sol. Si un appareil de remise en forme est placé près d'un mur, cela risque d'amplifier les bruits par un effet tambour.

À QUEL MOMENT DOIS-JE M'INQUIÉTER DU BRUIT ?

Tant que le niveau sonore de votre tapis de course n'est pas plus élevé que celui d'une conversation normale, le bruit émis par l'appareil est considéré comme normal.

PROCÉDURES DE DÉPANNAGE DE BASE

PROBLÈME : la console ne s'allume pas.

SOLUTION : effectuez les vérifications suivantes :

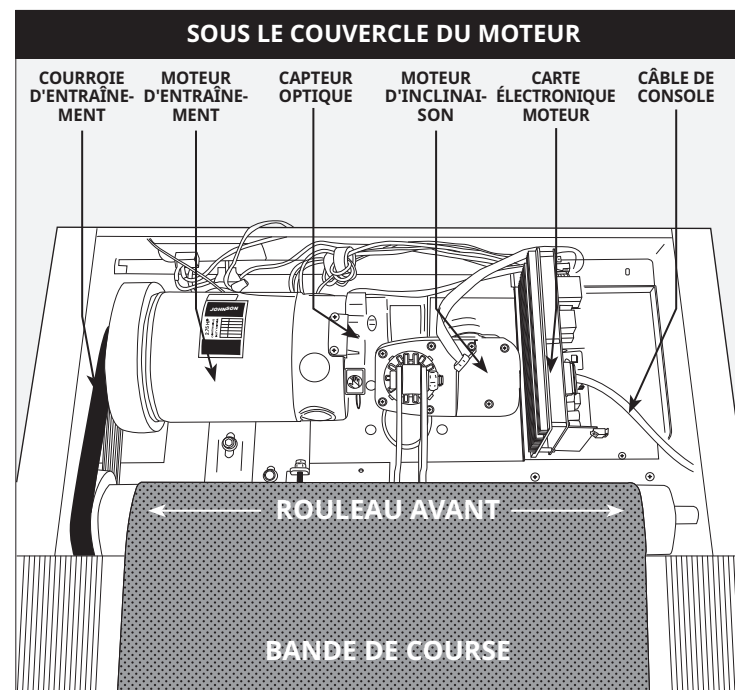
Le voyant rouge sur l'interrupteur MARCHE/ARRÊT est-il allumé ? **REMARQUE** : certains modèles de tapis de course ne possèdent pas d'interrupteur avec voyant lumineux. Si c'est le cas de votre modèle, veuillez suivre les étapes « oui » et « non » indiquées ci-après pour trouver des solutions à votre problème.

Si « oui » :

- Mettez l'appareil hors tension, débranchez la prise de courant et attendez 60 secondes. Ôtez le couvercle du moteur. Attendez que tous les voyants lumineux DEL rouges sur la carte électronique moteur soient éteints avant de procéder à l'étape suivante. Vérifiez ensuite qu'aucun fil connecté au panneau inférieur n'est mal raccordé ou débranché.
- Vérifiez toutes les connexions, en particulier le câble de la console. Pour ce faire, débranchez et rebranchez le câble de la console.
- Assurez-vous que le câble de la console n'est pas pincé ou endommagé.
- Branchez le tapis de course, mettez l'interrupteur en position MARCHE et observez si des voyants lumineux DEL s'allument sur la carte électronique moteur.

Si « non » :

- Vérifiez que la prise de courant sur laquelle est branché l'appareil fonctionne correctement. Assurez-vous que le disjoncteur ne s'est pas déclenché, que l'appareil est branché sur un circuit de 15 ampères distinct, qu'il n'est pas branché sur une prise équipée d'un disjoncteur différentiel de fuite à la terre et qu'il n'est pas branché sur une multiprise / un parasurtenseur ou une rallonge électrique.



- Vérifiez que le câble d'alimentation n'est pas pincé ou endommagé et qu'il est correctement raccordé à la prise de courant ET à l'appareil.
- Vérifiez que l'interrupteur est en position MARCHE.

PROBLÈME : la console indique SAFETY KEY OFF (CLÉ DE SÉCURITÉ NON CONNECTÉE) ou n'affiche que des tirets.

SOLUTION : effectuez les vérifications suivantes :

- Vérifiez que la clé de sécurité est fermement en place.
- Si vous utilisez une clé magnétique, assurez-vous que la clé est magnétisée.

POUR LES TAPIS DE COURSE ÉQUIPÉS DE HAUT-PARLEURS :

PROBLÈME : lorsque le lecteur MP3 est connecté, aucun son ne sort des haut-parleurs ou le son est très mauvais.

SOLUTION : assurez-vous que le câble audio est branché correctement à la fois sur le connecteur de la console et sur le connecteur du lecteur MP3.



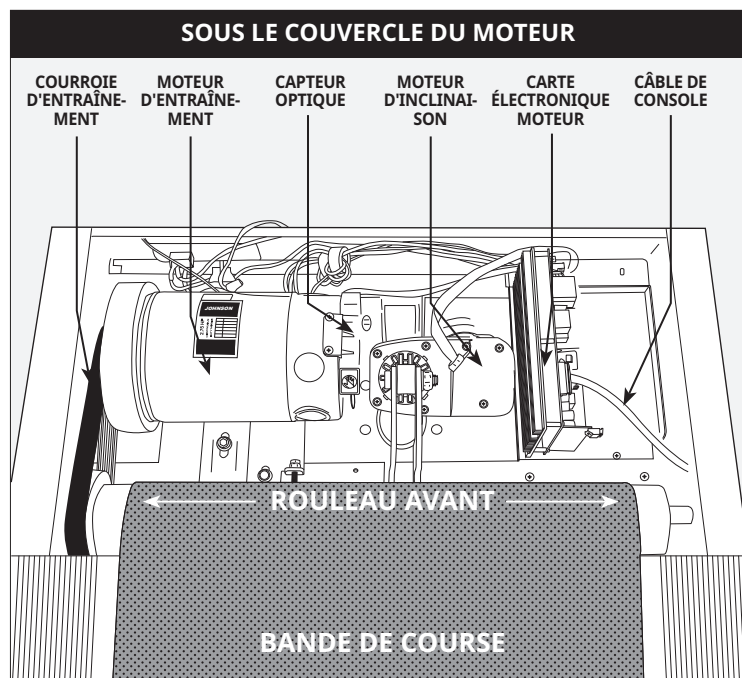


PROCÉDURES DE DÉPANNAGE DE BASE

PROBLÈME : la console fonctionne mais la bande de course reste immobile ou défile un bref instant.

SOLUTION : effectuez les vérifications suivantes :

- Vérifiez que les recommandations et les directives relatives à l'alimentation, qui sont présentées en pages 4 et 5 du présent GUIDE D'UTILISATION DU TAPIS DE COURSE sont bien respectées. L'unité doit être branchée sur un circuit de 15 ampères distinct et ne pas être raccordée à une prise équipée d'un disjoncteur différentiel de fuite à la terre. Ne branchez pas l'appareil sur une multiprise / un parasurtenseur ou une rallonge électrique.
- Vérifiez si la bande de course défile. Si oui, notez la distance sur laquelle elle a défilé ou le temps pendant lequel elle a défilé avant de s'arrêter.
- Essayez de faire défiler la bande de course à la main. Si cela est impossible, la courroie d'entraînement peut être sortie de son logement ou les roulements du moteur peuvent être grippés.
- Mettez le tapis de course hors tension et débranchez la prise. Retirez le couvercle en plastique du moteur, situé à l'avant de l'appareil, en retirant les vis à l'aide d'un tournevis cruciforme. Vérifiez le bon alignement de la courroie d'entraînement.
- Avant de remettre le couvercle, vérifiez les connexions des fils et des câbles car ceux-ci pourraient être mal raccordés ou avoir été débranchés au cours du transport ou du montage. Assurez-vous que les fils et câbles sont connectés correctement et qu'aucun câble n'est enroulé, endommagé, déconnecté ou brûlé.



PROBLÈME : l'inclinaison ne fonctionne pas, ne descend pas ou ne semble pas être à la bonne hauteur.

SOLUTION : effectuez les vérifications suivantes :

- Vérifiez que les recommandations et les directives relatives à l'alimentation, qui sont présentées en pages 4 et 5 du présent GUIDE D'UTILISATION DU TAPIS DE COURSE sont bien respectées. L'unité doit être branchée sur un circuit de 15 ampères distinct et ne pas être raccordée à une prise équipée d'un disjoncteur différentiel de fuite à la terre. Ne branchez pas l'appareil sur une multiprise / un parasurtenseur ou une rallonge électrique.
- Assurez-vous que la console indique un changement sur l'écran lorsque l'on appuie sur les boutons commandant l'élévation.
- Mettez le tapis de course hors tension et débranchez la prise. Vérifiez que les câbles de la console sont connectés correctement sur le dessus du montant. Assurez-vous que tous les fils multicolores sont entièrement insérés dans le faisceau de câblage.
- Retirez le couvercle en plastique du moteur, situé à l'avant de l'appareil, en retirant les vis à l'aide d'un tournevis cruciforme. Vérifiez les connexions des fils et des câbles car ceux-ci pourraient être mal enclenchés ou avoir été débranchés au cours du transport ou du montage. Assurez-vous que les fils et câbles sont connectés correctement et qu'aucun câble n'est enroulé, endommagé, déconnecté ou brûlé.

PROBLÈME : aucun son ne sort des haut-parleurs mais le casque fonctionne.

SOLUTION : effectuez les vérifications suivantes :

- Mettez le tapis de course hors tension et débranchez la prise. Retirez le couvercle en plastique du moteur, situé à l'avant de l'appareil, en retirant les vis à l'aide d'un tournevis cruciforme.
- Vérifiez que les fils et les câbles sont connectés correctement sur la carte des haut-parleurs située près de la carte électronique moteur.

PROBLÈME : le disjoncteur du tapis roulant se déclenche lors d'un exercice.

SOLUTION : effectuez les vérifications suivantes :

- Vérifiez que l'appareil est branché sur un circuit de 15 ampères distinct.
- Assurez-vous que l'appareil n'est pas branché sur une rallonge électrique ou un parasurtenseur.
- Assurez-vous que l'appareil n'est pas branché sur une prise équipée d'un disjoncteur différentiel de fuite à la terre ou sur un circuit qui intègre une prise équipée d'un disjoncteur différentiel de fuite à la terre.

PROBLÈME : la bande de course ne reste pas centrée durant un exercice.

SOLUTION : effectuez les vérifications suivantes :

- Assurez-vous que votre tapis de course est installé sur une surface plane.
- Vérifiez que la bande est correctement tendue et centrée (reportez-vous aux sections RÉGLAGE DE LA TENSION et CENTRAGE DE LA BANDE DE COURSE pour des indications plus détaillées).

PROBLÈME : la vitesse de fonctionnement semble incorrecte.

SOLUTION :

- Mettez le tapis de course hors tension et débranchez la fiche de la prise murale.
- Retirez les vis du couvercle du moteur à l'aide d'un tournevis cruciforme.
- Vérifiez que le capteur optique est raccordé à la carte électronique moteur.
- Vérifiez que le câble du capteur de vitesse est en bon état et qu'il est connecté correctement.

DÉPANNAGE DU MONITEUR DE FRÉQUENCE CARDIAQUE (POIGNÉES À CAPTEURS TACTILES CARDIAQUES UNIQUEMENT)

Contrôlez l'endroit où vous vous entraînez et recherchez des sources possibles d'interférence, telles que des lumières fluorescentes, des ordinateurs, des clôtures électriques, des systèmes d'alarme ou des installations équipées de gros moteurs. Ces appareils peuvent causer des lectures erronées de la fréquence cardiaque.

Des mesures incohérentes de la fréquence cardiaque peuvent également se produire dans les cas suivants :

- Une pression excessive sur les poignées équipées de capteurs tactiles. Essayez d'exercer une pression modérée sur ces poignées.
- Des vibrations et un mouvement constants lorsque vous tenez les poignées pendant les exercices. Si l'écran affiche des mesures incohérentes, saisissez les poignées le temps nécessaire afin que votre rythme cardiaque soit enregistré.
- Lorsque vous êtes essoufflé durant un entraînement.
- Lorsque vos doigts sont comprimés par des bagues.
- Lorsque vos mains sont sèches ou froides. Frottez-vous les mains afin de les hydrater et de les réchauffer.
- Lorsque vous souffrez d'arythmie grave.
- Lorsque vous êtes atteint d'artériosclérose ou de troubles de la circulation périphérique.
- Lorsque la peau des paumes de vos mains est particulièrement épaisse.

BESOIN D'UNE ASSISTANCE TECHNIQUE ?

Si le problème subsiste, arrêtez d'utiliser le tapis et mettez-le hors tension.



Veillez consulter les coordonnées auprès du service local ou sur la CARTE D'INFORMATIONS, si celle-ci est disponible, pour obtenir de l'aide.

Lors de votre appel, vous devrez probablement fournir les renseignements ci-après. Veuillez préparer les informations suivantes :

- Nom du modèle
- Numéro de série
- Preuve d'achat

Les questions fréquemment posées sont les suivantes :

- Depuis combien de temps rencontrez-vous ce problème ?
- Le problème se répète-t-il à chaque utilisation ? Avec tous les utilisateurs ?
- Si vous entendez un bruit gênant, provient-il de l'avant ou de l'arrière de l'appareil ? De quel type de bruit s'agit-il (bruit sourd, grincement, son aigu, sifflement, etc.) ?
- L'appareil a-t-il été entretenu conformément au programme D'ENTRETIEN ?

Les réponses à ces questions et à d'autres questions permettront aux techniciens d'envoyer les pièces de rechange adéquates et d'effectuer la révision nécessaire au bon fonctionnement de votre tapis de course et vous faire reprendre votre entraînement !

Pour davantage de conseils sur le dépannage, consultez la rubrique Assistance client de notre site Internet.





ENTRETIEN

Réaliser un entretien préventif est essentiel au bon fonctionnement de l'appareil tout en limitant la responsabilité des utilisateurs en cas d'incident. L'appareil doit être vérifié régulièrement. Faites remplacer les pièces défectueuses immédiatement. Cessez d'utiliser l'appareil défectueux jusqu'à ce qu'il soit réparé. Assurez-vous que l'entretien, les réglages ou les réparations sont effectués par un personnel qualifié.

AVERTISSEMENT

Pour que le tapis de course ne soit plus alimenté en électricité, le câble d'alimentation doit être débranché de la prise murale.

PROGRAMME D'ENTRETIEN

ACTION	FRÉQUENCE
<p>Nettoyez et inspectez le tapis de course :</p> <ul style="list-style-type: none"> • Mettez le tapis de course hors tension à l'aide de l'interrupteur MARCHE/ARRÊT puis débranchez le câble d'alimentation de la prise murale. • Nettoyez la bande de course, la plateforme, le couvercle du moteur et le boîtier de la console à l'aide d'un chiffon humide. N'utilisez jamais de solvants car ceux-ci pourraient détériorer le tapis de course. • Contrôlez le câble d'alimentation. Si le câble d'alimentation est endommagé, contactez l'assistance technique en vous référant aux coordonnées présentes au dos de la CARTE D'INFORMATION. • Assurez-vous que le câble d'alimentation ne se trouve pas sous le tapis de course ou à un endroit où il risquerait d'être pincé ou coupé au cours du stockage ou de l'utilisation. • Vérifiez que la bande de course est tendue et centrée correctement. Si la bande est décalée, elle risque d'endommager d'autres composants du tapis de course. • Si une étiquette est endommagée ou illisible, contactez l'assistance technique en vous référant aux coordonnées présentes au dos de la CARTE D'INFORMATION. 	<p>QUOTIDIEN</p>
<p>Nettoyez le dessous du tapis de course :</p> <ul style="list-style-type: none"> • Mettez le tapis de course hors tension à l'aide de l'interrupteur MARCHE/ARRÊT puis débranchez le câble d'alimentation de la prise murale. • Repliez la plateforme en position verticale et assurez-vous que le loquet de verrouillage est enclenché. • Déplacez le tapis de course. • Nettoyez ou aspirez les particules de poussière et autres corps étrangers ayant pu s'accumuler sous le tapis de course. • Replacez le tapis de course à son emplacement initial. 	<p>HEBDOMADAIRE</p>
<p>IMPORTANT !</p> <ul style="list-style-type: none"> • Mettez le tapis de course hors tension à l'aide de l'interrupteur MARCHE/ARRÊT puis débranchez le câble d'alimentation de la prise murale. Attendez 60 secondes. • Contrôlez tous les boulons d'assemblage de l'appareil et vérifiez qu'ils sont bien serrés. • Ôtez le couvercle du moteur. Attendez l'extinction de TOUS les écrans d'affichage. • Nettoyez le moteur et le panneau inférieur pour enlever toutes les peluches ou les particules de poussière ayant pu s'accumuler. Le manquement à cette obligation peut entraîner une défaillance prématurée des composants électroniques essentiels. • Nettoyez la bande de course avec un chiffon humide. Aspirez toutes les particules blanches/noires ayant pu s'accumuler autour de l'appareil. Ces particules peuvent s'amasser suite à un usage normal du tapis de course. • Si votre tapis de course est équipé d'amortisseurs pneumatiques sous la plateforme pour faciliter le levage de celle-ci, lubrifiez le tube gris métallisé des amortisseurs à l'aide d'un lubrifiant en spray à base de Teflon que vous trouvez en quincaillerie ou dans un magasin de cycles. 	<p>MENSUEL</p>

LUBRIFICATION DE LA BANDE

TOUS LES 3 MOIS OU TOUS LES 483 KM (150 MILLES)

Il est nécessaire de lubrifier la plate-forme du tapis roulant tous les trois mois ou tous les 483 km (150 milles) pour lui conserver son rendement optimal. Lorsque le tapis roulant atteint 483 km (150 milles), il affiche le message « LUBE » (lubrifier) ou « LUBE BELT » (lubrifier la bande). Le tapis roulant ne fonctionnera pas tant que ce message est affiché. Votre tapis roulant est livré avec une bouteille de lubrifiant à la silicone 100 %, suffisante pour deux applications.

Allez sur ce site pour acheter d'autres lubrifiants de silicone :
www.johnsonfit.com/lubricant.

Outils nécessaires :

- Clé à manche en T bleu ou clé hexagonale
- Huile silicone 100 %

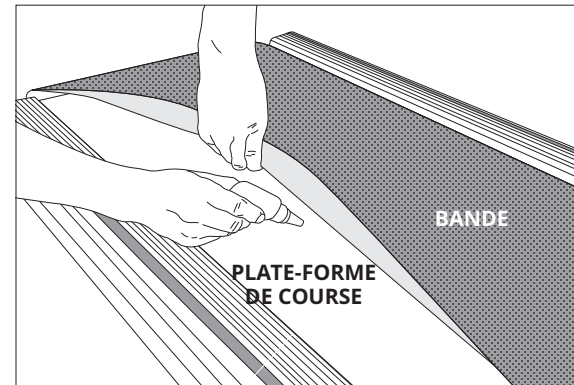
MARCHE À SUIVRE :

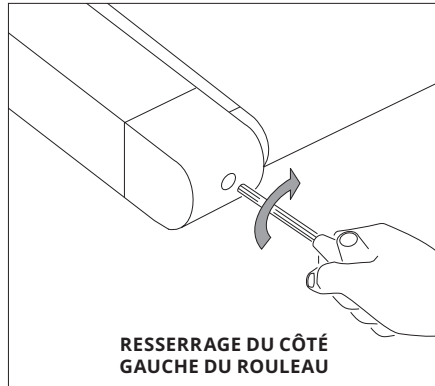
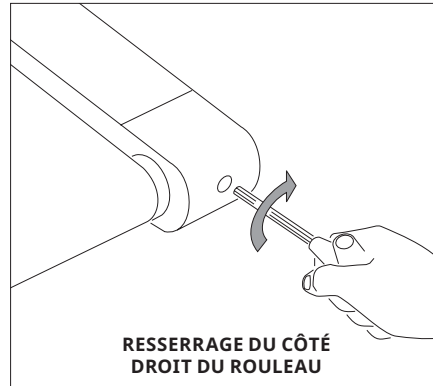
1. Placez le tapis roulant hors tension à l'aide du bouton de « ON/OFF » (marche/arrêt), et débranchez le cordon d'alimentation de la prise murale.
2. À l'aide de la clé à manche en T ou de la clé hexagonale, desserrez les boulons des rouleaux arrière en les tournant de 10 à 15 tours dans le sens antihoraire. Cela devrait donner assez de jeu à la bande pour permettre de la soulever.
3. Soulevez la bande autant que possible et versez l'huile silicone en zigzags sur toute la surface de la plate-forme. Utilisez 1/2 bouteille de lubrifiant au silicone. N'appliquez pas d'huile sur la bande. Reposez la bande, puis serrez les deux boulons du rouleau arrière en les tournant dans le sens horaire du même nombre de tours que vous les avez desserrés.
4. Après avoir fait la lubrification du tapis, connectez la machine à la prise murale et insérez la clé magnétique. Effacez le message "Lube Belt" en appuyant sur la touche SPEED (+) et ensuite sur la touche STOP. Gardez les doigts dessus pour 5 à 7 secondes.
5. Descendez de la machine et appuyez sur la touche « START » (démarrer). Laissez la bande fonctionner à 5 k/h (3 mi/h) pendant 3 minutes pour faire répandre le silicone. Puis marchez sur l'appareil à une vitesse confortable pendant 3 minutes pour achever la distribution du silicone et vérifiez que la tension et l'alignement de la bande sont satisfaisants.
6. Une fois la bande centrée et tendue, arrêtez l'appareil. Essuyez l'excès d'huile sur les côtés avec un chiffon humide.

Appuyer sur n'importe quelle touche pour suspendre qu'après votre exercice subséquent le message d'avertissement de la lubrification. Notez : Certains anciens modèles peuvent exiger qu'on tienne la touche STOP pour 5 secondes pour suspendre pour une autre utilisation de 5 miles le message d'avertissement.

Si le tapis roulant comporte des amortisseurs pneumatiques sous la plateforme pour en faciliter le levage, lubrifiez le tube d'amortisseur pneumatique argenté par vaporisation d'un produit à base de Téflon, en vente dans les quincailleries ou les magasins d'articles pour cyclistes.

Visitez la section de soutien à la clientèle de notre site Web pour visualiser les vidéos pratiques d'entretien. Pour toute question relative à la lubrification du tapis roulant, communiquer avec le service de soutien technique à la clientèle.



RESSERRAGE DU CÔTÉ
GAUCHE DU ROULEAURESSERRAGE DU CÔTÉ
DROIT DU ROULEAU

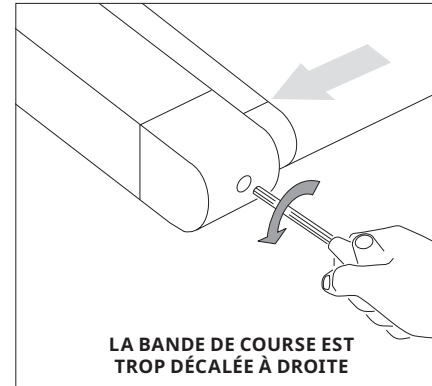
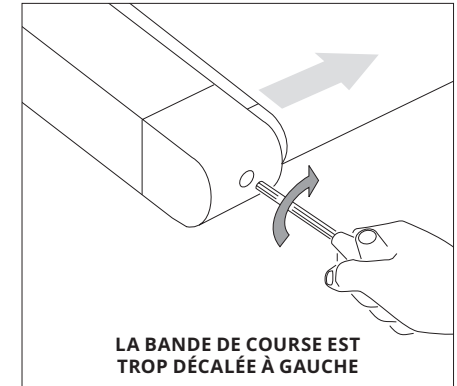
RÉGLAGE DE LA TENSION DE LA BANDE DE COURSE

Pour plus d'information et/ou des tutoriels vidéo, consultez la rubrique Assistance client de notre site Internet. Les coordonnées de l'assistance technique se trouvent au dos de la CARTE D'INFORMATION.

AVERTISSEMENT

Ne faites JAMAIS défiler la bande de course pendant le réglage de la tension. Une tension excessive de la bande de course peut entraîner une usure prématurée du tapis de course et de ses composants. Ne tendez pas excessivement la bande de course.

Si vous remarquez que la bande glisse lors d'un exercice sur le tapis, c'est le signe qu'elle doit être retendue. Avec l'usage, la bande de course s'est étirée en longueur et s'est relâchée. Il s'agit d'un réglage normal et courant. Pour éviter que la bande ne glisse, **mettez le tapis de course hors tension et** resserrez les **boulons du rouleau arrière** à l'aide de la clé Allen fournie, en tournant les vis de $\frac{1}{4}$ de tour vers la droite (dans le sens des aiguilles d'une montre) comme illustré. Mettez l'appareil en marche afin de vérifier si la bande glisse de nouveau. Répétez l'opération si nécessaire mais **ne tournez jamais** les boulons du rouleau de plus de $\frac{1}{4}$ de tour à la fois. La bande de course est correctement tendue lorsqu'elle ne glisse plus.

LA BANDE DE COURSE EST
TROP DÉCALÉE À DROITELA BANDE DE COURSE EST
TROP DÉCALÉE À GAUCHE

CENTRAGE DE LA BANDE DE COURSE

Pour plus d'information et/ou des tutoriels vidéo, consultez la rubrique Assistance client de notre site Internet. Les coordonnées de l'assistance technique se trouvent au dos de la CARTE D'INFORMATION.

ATTENTION

Ne faites pas tourner la bande à plus de 1,6 km/h lors du centrage. Tenez toujours les mains, les cheveux et les vêtements éloignés de la bande de course.

Lorsque la bande est trop décalée à droite, effectuez les réglages suivants :

faites fonctionner le tapis de course à 1,6 km/h et, à l'aide de la clé Allen fournie, tournez la vis de réglage de **GAUCHE** d' $\frac{1}{4}$ tour dans le sens inverse des aiguilles d'une montre et attendez que la bande se mette en place. Utilisez la ligne centrale ou le marquage du couvercle du moteur comme repère pour le centrage. Répétez l'opération si nécessaire, jusqu'à ce que la bande reste centrée correctement lors de l'utilisation du tapis de course.

Lorsque la bande est trop décalée à gauche, effectuez les réglages suivants :

faites fonctionner le tapis de course à 1,6 km/h et, à l'aide de la clé Allen fournie, tournez la vis de réglage de **GAUCHE** d' $\frac{1}{4}$ tour dans le sens des aiguilles d'une montre et attendez que la bande se mette en place. Utilisez la ligne centrale ou le marquage du couvercle du moteur comme repère pour le centrage. Répétez l'opération si nécessaire, jusqu'à ce que la bande reste centrée correctement lors de l'utilisation du tapis de course.

- Si vous trouvez que la bande de course glisse car elle est trop lâche, centrez-la puis réglez la tension correctement.
- Pour accéder plus facilement aux vis de réglage, retirez les embouts.



GUARDE ESTAS INSTRUCCIONES

Lea el MANUAL DE INSTRUCCIONES antes de utilizar la unidad. A la hora de utilizar un producto eléctrico, siempre se deben adoptar precauciones básicas, entre ellas las siguientes: Lea todas las instrucciones antes de utilizar este equipo. El propietario es responsable de garantizar que todos los usuarios de este equipo estén informados de manera adecuada sobre todas las advertencias y precauciones. Si tiene alguna pregunta después de leer este manual, póngase en contacto con el servicio de asistencia técnica.

Es fundamental que este equipo solo se utilice en espacios interiores, en salas con control de la temperatura. Si el equipo de entrenamiento se ha visto expuesto a temperaturas más bajas o climas muy húmedos, se recomienda encarecidamente que se ajuste el equipo a la temperatura de la habitación antes de utilizarlo.

Este equipo ha sido concebido para un uso exclusivamente doméstico. No utilice este equipo en ningún establecimiento comercial, escolar, institucional ni de alquiler. El incumplimiento de estas indicaciones dará lugar a la anulación de la garantía.

ADVERTENCIA

PARA REDUCIR EL RIESGO DE QUEMADURAS, INCENDIOS, DESCARGAS ELÉCTRICAS O LESIONES PERSONALES :

- Use el equipo únicamente para su uso previsto de acuerdo con lo que se describe en este manual y en el manual de usuario.
- Los niños menores de 14 años no deben utilizar el equipo BAJO NINGUNA CIRCUNSTANCIA.
- Las mascotas y los niños menores de 14 años no deben estar BAJO NINGUNA CIRCUNSTANCIA a menos de 10 ft/3 m del equipo.
- Este equipo no está diseñado para que lo utilicen personas con capacidades físicas, sensoriales o mentales reducidas, ni personas con falta de experiencia y conocimientos, a menos que reciban vigilancia o instrucciones relativas al uso del equipo por parte de una persona responsable de su seguridad.
- Póngase siempre zapatillas de deporte para utilizar el equipo. NUNCA utilice el equipo de entrenamiento descalzo.
- No lleve ninguna prenda de ropa que pueda engancharse en los elementos móviles del equipo.
- Los sistemas de control de la frecuencia cardíaca pueden ser imprecisos. El ejercicio excesivo puede producir lesiones graves o la muerte.
- Si nota algún tipo de dolor, como, por ejemplo, dolores en el pecho, náuseas, mareos o dificultades para respirar, pare de hacer ejercicio de inmediato y consulte a su médico antes de continuar.
- No salte sobre el equipo.
- En ningún momento debe haber más de una persona en el equipo.
- Instale y utilice el equipo en una superficie nivelada sólida.
- No utilice nunca el equipo si este no funciona correctamente o si ha sufrido algún daño.
- Utilice las agarraderas para mantener el equilibrio al subirse al equipo o bajarse de él y también para obtener una mayor estabilidad durante el entrenamiento.
- Para evitar lesiones, no acerque ninguna parte del cuerpo (como por ejemplo, dedos, manos, brazos o pies) al mecanismo de accionamiento del equipo o a cualquier otro elemento móvil.
- Conecte la máquina únicamente a una toma de corriente con conexión a tierra.
- Nunca deje el equipo sin vigilancia mientras está enchufado. Siempre que no esté en funcionamiento y antes de realizar las tareas de mantenimiento, limpieza o traslado, apague el equipo y desenchúfelo.
- No utilice un equipo que esté dañado o tenga piezas desgastadas o rotas. Utilice solo piezas de repuesto suministradas por el servicio de asistencia técnica o un distribuidor autorizado.
- No utilice nunca el equipo si este se ha caído, ha sufrido algún daño, no funciona correctamente o si algún cable o enchufe están dañados. De igual forma, no lo utilice en lugares húmedos o mojados ni si se ha sumergido en agua.
- Mantenga el cable de alimentación alejado de las superficies calientes. No tire del cable de alimentación ni aplique cargas mecánicas sobre él.
- No retire las cubiertas protectoras a menos que se lo indique el servicio de asistencia técnica. El mantenimiento deberá llevarlo a cabo únicamente un técnico de mantenimiento autorizado.
- Para evitar las descargas eléctricas, no introduzca ni deje caer ningún objeto en las aberturas.
- No utilice el equipo en lugares en los que se emplean aerosoles (pulverizadores) o si se está administrando oxígeno.
- Las personas con un peso superior a la capacidad de carga especificada en el manual de usuario no deben usar el equipo. El incumplimiento de estas indicaciones dará lugar a la anulación de la garantía.
- No utilice el equipo en estancias sin control de la temperatura, como, por ejemplo, garajes, porches, salas de billar, cuartos de baño, aparcamientos cubiertos o espacios exteriores. El incumplimiento de estas indicaciones dará lugar a la anulación de la garantía.
- Póngase en contacto con el servicio de asistencia técnica o con un distribuidor autorizado para que examinen o reparen el equipo, así como para realizar las tareas de mantenimiento.
- Al bajar la plataforma de la cinta, espere hasta que las patas traseras estén bien apoyadas en el suelo antes de subirse.
- Para evitar lesiones, exteme las precauciones cuando suba o baje de la cinta de correr en movimiento. Apóyese en las barras laterales de la cinta cuando la inicie.
- Para evitar lesiones, fije la presilla de seguridad a su ropa antes de usar la máquina.
- Desconecte la llave de seguridad de la cinta para evitar que otras personas utilicen la máquina sin control.
- Asegúrese de que el borde de la cinta se encuentre paralelo a la posición lateral de la barra lateral y no se coloque debajo de esta última. Si la cinta no está centrada, deberá ajustarse antes de su uso.
- El nivel de ruido de la cinta es inferior a 70 dB cuando no hay usuarios encima y puede ser superior cuando un usuario está corriendo en la superficie para correr. Si el ruido de la cinta le resulta molesto, pare el entrenamiento y tómese un descanso. La emisión de ruido con carga es mayor que cuando no existe ninguna carga.
- No use la cinta con el orificio de ventilación bloqueado. Mantenga el orificio de ventilación y el compartimento del motor limpios y libres de pelos, pelusas y similares.
- Asegúrese de que la cinta está completamente parada antes de plegarla. No use la cinta cuando está plegada.
- Al transportar la cinta, NO la levante ni la coloque boca abajo ni de lado. La cinta presenta amortiguadores neumáticos de alta presión que pueden descomprimirse de golpe y causar lesiones. ÚNICAMENTE transporte la unidad al nivel del suelo y ÚNICAMENTE si está completamente montada, en posición vertical y plegada, con el pasador de bloqueo fijo.



INSTRUCCIONES DE PUESTA A TIERRA

Si la cinta funciona indebidamente o se avería, la conexión a tierra proporciona una vía con la menor resistencia para la corriente y reduce el riesgo de descarga eléctrica. Esta máquina dispone de un cable y de una clavija con conductor de puesta a tierra. La clavija debe estar conectada en un enchufe adecuado que se haya instalado y puesto a tierra correctamente de acuerdo con la normativa local. La clavija debe estar conectada en un enchufe adecuado que se haya instalado y puesto a tierra correctamente de acuerdo con la normativa local.

¡PELIGRO!

La conexión incorrecta del conductor de puesta a tierra del equipo puede provocar un riesgo de descarga eléctrica. Si tiene dudas acerca de si la conexión a tierra es adecuada, consulte con un electricista o un técnico de servicio cualificado. No modifique la clavija suministrada con el equipo. Si no encaja en el enchufe, deje en manos de un electricista la instalación de un enchufe adecuado.

El producto está diseñado para su uso en un circuito de tensión nominal local y cuenta con un enchufe de conexión a tierra. No deben usarse adaptadores con este producto.

Este equipo debe emplearse en un circuito eléctrico independiente. Para determinar si el circuito eléctrico es independiente, desconecte la electricidad de este circuito y observe si se apagan otros aparatos. En caso afirmativo, cambie esos aparatos a un circuito diferente. Nota: Normalmente, hay varias tomas en un circuito.

¡ADVERTENCIA!

Conecte esta máquina de fitness solo a una toma de corriente con puesta a tierra.

No emplee nunca este equipo si el cable o la clavija están dañados, aunque funcione correctamente. No emplee nunca ningún equipo si parece dañado o se ha sumergido en agua. Póngase en contacto con la asistencia técnica al consumidor para que lo revisen y reparen.

UBICACIÓN DE LA CINTA

Coloque la cinta sobre una superficie llana y estable. Debe haber 0,3 m (un pie) de separación entre el enchufe para el cable de alimentación y la parte delantera de la cinta. Deje una zona libre detrás de la cinta cuya anchura sea como mínimo equivalente a la cinta y cuya longitud mínima sea de 2 m (79 pulgadas). Esta zona debe quedar libre de cualquier obstáculo y permitir al usuario bajarse de la máquina con comodidad. En caso de emergencia, coloque ambas manos en las asas laterales para elevarse y coloque los pies en los reposapiés laterales.

Para facilitar el acceso, debe garantizarse un espacio, preferentemente en ambas partes de la cinta, de 0,6 m (2 pies), de tal modo que el usuario pueda acceder a la cinta desde un lado u otro.

No coloque la cinta en un lugar donde bloquee una rejilla de ventilación o salida de aire. No se debe instalar la cinta en un garaje, en un patio cubierto, cerca del agua o al aire libre.

ADVERTENCIA

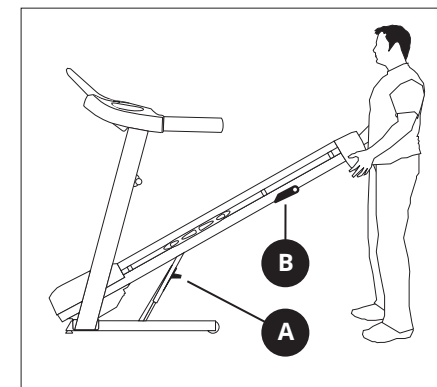
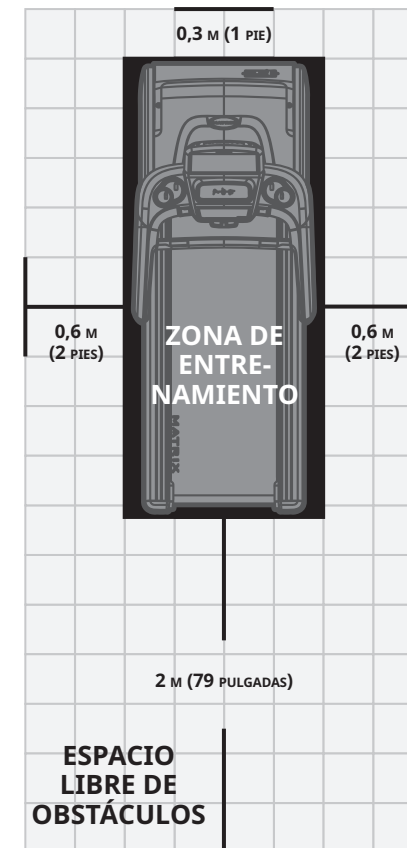
Nuestras cintas son pesadas, desplácelas con cuidado y solicite ayuda si es necesario. No intente desplazar la cinta si no está en posición vertical, plegada y con el pestillo bloqueado. Si no sigue estas instrucciones pueden producirse lesiones.

PLEGADO DE LA CINTA

Algunas cintas disponen de una plataforma que se puede plegar para su almacenamiento o transporte. Para plegarla, sujete firmemente la parte trasera de la cinta. Levante con cuidado el extremo de la plataforma de la cinta en posición vertical hasta que el pestillo quede enganchado y bloquee la plataforma de forma segura. Asegúrese de que la plataforma está enganchada de forma segura antes de soltarla.

DESPLIEGUE

Sujete firmemente la parte trasera de la cinta. Si la cinta tiene un **PESTILLO DE PIE (A)**, presiónelo suavemente con el pie hasta que se suelte. Si la cinta tiene un **PESTILLO DE SEGURIDAD DE LA PLATAFORMA (B)**, tire de este para soltar la plataforma. Deje caer con cuidado la plataforma hasta el suelo.



**NOTA:**

Tras la realización de pruebas en este equipo, se ha determinado que respeta los límites de los dispositivos digitales de clase B, de conformidad con el apartado 15 de las normas de la Comisión Federal de Comunicaciones de los Estados Unidos (FCC, por sus siglas en inglés). Estos límites se han concebido para ofrecer una protección razonable contra las interferencias perjudiciales en instalaciones residenciales. Este equipo genera, utiliza y puede radiar energía de radiofrecuencia y, si no se instala y utiliza de conformidad con las instrucciones, puede ocasionar interferencias perjudiciales en las radiocomunicaciones. Sin embargo, no se puede garantizar que no se vayan a producir interferencias en una instalación concreta.

Si este equipo causa interferencias perjudiciales en la recepción de radio o televisión, lo cual puede determinarse apagando y encendiendo el equipo, se recomienda al usuario que trate de corregir las interferencias a través de una o varias de las siguientes medidas:

- Si es posible, reoriente la antena receptora o colóquela en un sitio diferente.
- Si es posible, aumente la separación entre el equipo y el receptor del otro dispositivo.
- Pida ayuda al distribuidor o fabricante.

Cualquier cambio o modificación que el fabricante no haya aprobado de forma expresa puede anular la garantía de este equipo.

DECLARACIÓN DE EXPOSICIÓN A LA RADIACIÓN DE RADIOFRECUENCIA DE LA FCC:

Este equipo respeta los límites de exposición a la radiación de radiofrecuencia de la FCC establecidos para un entorno no controlado. Este equipo debe instalarse y utilizarse de tal manera que entre el emisor de radiación y su cuerpo haya una distancia mínima de 20 centímetros (8 pulgadas).



TRANSPORTE DE LA CINTA

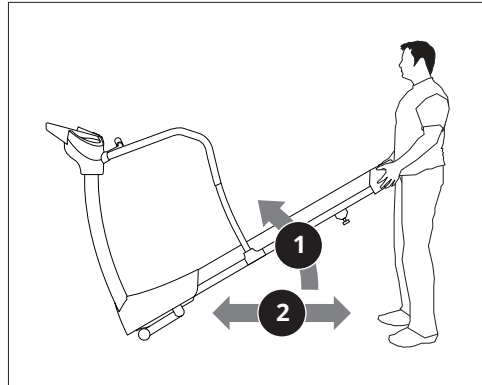
ADVERTENCIA:

Al transportar la cinta, NO la levante ni la coloque boca abajo ni de lado. La cinta presenta amortiguadores neumáticos de alta presión que pueden descomprimirse de golpe y causar lesiones. ÚNICAMENTE transporte la unidad al nivel del suelo y ÚNICAMENTE si está completamente montada, en posición vertical, boca arriba y plegada, con el pasador de bloqueo fijo.

Si necesita levantar la cinta o desmontarla para moverla a otro lugar, siga detenidamente estos pasos para reducir el riesgo de lesiones y evitar que los amortiguadores neumáticos se descompriman de golpe.

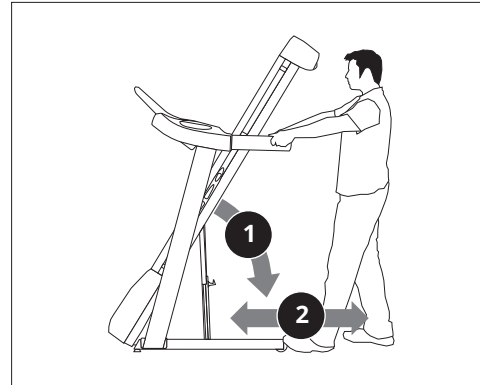
PASOS:

- CORREA:** Utilice abrazaderas plásticas en el lado derecho e izquierdo de la cinta para sujetar de forma segura el armazón de la plataforma (la parte del armazón que presenta la superficie para correr) al armazón plegable (la parte del armazón que permanece en el suelo cuando se pliega la cinta a la posición de almacenamiento).
- PRUEBA:** Después de colocar las abrazaderas plásticas de forma segura, intente levantar la plataforma y plegarla a la posición de almacenamiento. Las abrazaderas plásticas impiden que la plataforma se pliegue.
- DOBLE COMPROBACIÓN:** Inclina con cuidado la cinta hacia un lado y mantenga las manos y los dedos alejados del armazón plegable de la cinta. Las abrazaderas plásticas deberían impedir que los amortiguadores neumáticos de alta presión se descompriman de golpe.



DESPLAZAMIENTO: SIN PLIEGUE

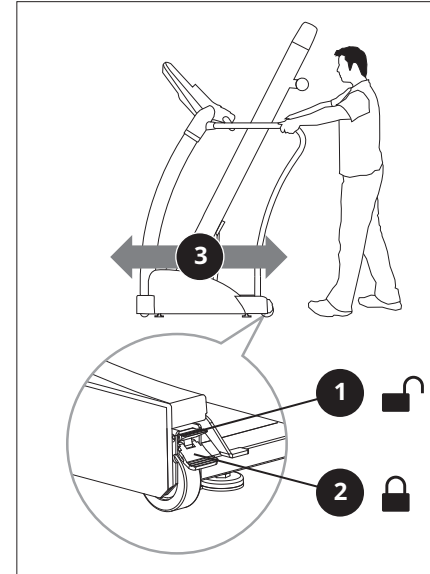
Para desplazarla, sujete firmemente el bastidor trasero e incline la cinta hacia arriba (1) y hágala rodar (2).



DESPLAZAMIENTO: PLIEGUE DE 2 RUEDAS

Para desplazarla, asegúrese de que la cinta está plegada y bloqueada de forma segura. Sujete firmemente los manillares, inclínela hacia atrás (1) y hágala rodar (2).

- DESMONTAJE (si es necesario).** Si es necesario desmontar los postes de la cinta para recolocarla, retire con cuidado la consola y los postes del armazón de la cinta; asegúrese de proteger el cable de la consola en las partes en la que sale del poste y entra en el armazón de la cinta. Consulte la sección de montaje del manual de usuario para obtener más información.
- SEGUNDA COMPROBACIÓN:** Repita los pasos 2 y 3 para volver a comprobar las abrazaderas plásticas y garantizar que impiden que los amortiguadores neumáticos de alta presión se descompriman de golpe.
- TRANSPORTE:** Mueva la cinta al nuevo lugar. Asegúrese de mantener las manos y los dedos alejados del armazón plegable y del área próxima a los amortiguadores neumáticos.
- RECOLOCACIÓN Y MONTAJE:** Cuando la cinta esté colocada donde debe usarse, vuelva a montarla (si es necesario). Consulte la sección de montaje del manual de usuario para obtener más información. Compruebe que todos los pernos y tornillos están totalmente apretados y que la cinta funciona.
- CORTE DE LAS ABRAZADERAS PLÁSTICAS:** En este momento, puede cortar las abrazaderas de plástico para soltar la plataforma del armazón plegable. Después de cortar las abrazaderas de plástico, NO levante la cinta ni la coloque boca abajo ni de lado. La cinta presenta amortiguadores neumáticos de alta presión que pueden descomprimirse de golpe y causar lesiones. ÚNICAMENTE transporte la unidad al nivel del suelo y ÚNICAMENTE si está completamente montada, en posición vertical y plegada, con el pasador de bloqueo fijo.



DESPLAZAMIENTO: PLIEGUE DE 4 RUEDAS

Se deben desbloquear los dos frenos antes de desplazar la máquina. Para desbloquear las ruedas, empuje hacia abajo la **PALANCA SUPERIOR (1)** de los frenos de las ruedas traseras ubicados en las esquinas traseras de la estructura. A continuación, sujete firmemente los manillares y desplace la cinta lentamente (3). Una vez en la ubicación deseada, bloquee las ruedas traseras empujando hacia abajo la **PALANCA INFERIOR (2)** de los frenos.

NOTA: Antes de emplear la cinta debe bloquear ambos frenos.



USO CORRECTO

La cinta puede alcanzar velocidades altas. Comience siempre a una velocidad más baja y ajústela en pequeños incrementos hasta alcanzar una velocidad más alta. Nunca deje la cinta sin supervisión cuando esté en funcionamiento. Cuando no la esté usando, quite la llave de seguridad, ponga el interruptor en posición de apagado y desconecte el cable de alimentación. Asegúrese de seguir el plan de MANTENIMIENTO de la guía para obtener un rendimiento óptimo continuo y evitar fallos prematuros del sistema electrónico. Mantenga siempre tanto su cuerpo como su cabeza mirando hacia adelante. No trate de darse la vuelta ni mirar hacia atrás mientras la cinta está en movimiento. Detenga inmediatamente su entrenamiento si siente dolor, sensación de desmayo, mareos o falta de aliento.

PRECAUCIÓN: RIESGO DE LESIONES

No se coloque sobre la banda cuando se esté preparando para emplear la cinta. Coloque los pies sobre los reposapiés laterales antes de encender la cinta. Solo debe comenzar a caminar sobre la cinta cuando la banda haya comenzado a moverse. No encienda nunca la cinta a velocidad alta ni trate de saltar sobre ella.

EMPLEO DE LA LLAVE DE SEGURIDAD

La cinta no se encenderá si la llave de seguridad no está colocada en su posición. Enganche la pinza de la cuerda de seguridad a su ropa. El diseño de esta llave de seguridad tiene como objetivo cortar la alimentación eléctrica de la cinta si sufre una caída. Compruebe cada dos semanas que la llave de seguridad funciona.

ADVERTENCIA

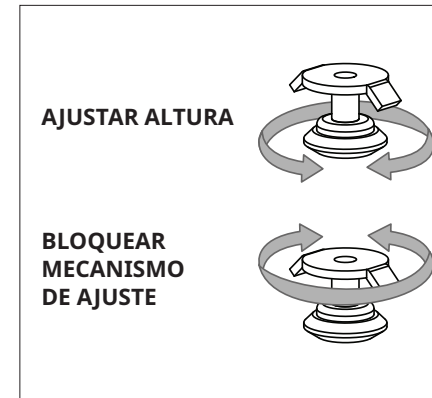
No emplee nunca la cinta sin sujetar la pinza de la llave de seguridad a su ropa. Antes de comenzar, tire de la pinza de la llave de seguridad para asegurarse de que no se suelta de la ropa.

ALIMENTACIÓN ELÉCTRICA

La cinta funciona con una fuente de alimentación. Esta tiene que enchufarse a la toma situada en la parte frontal de la máquina, al lado del estabilizador. Algunas elípticas tienen un interruptor al lado de la toma de corriente. Asegúrese de que está en la posición ON (encendido). Desenchufe el cable cuando no use la bicicleta. NOTA: Algunas cintas tienen un interruptor ON/OFF (encendido/apagado) detrás de la consola.

ADVERTENCIA

No utilice el producto si ha sufrido daños (tanto en la máquina como en el cable o el enchufe), si no funciona correctamente o si se ha sumergido en agua. Para solicitar ayuda, consulte la información de contacto en la cara posterior de la TARJETA DE INFORMACIÓN.



NIVELACIÓN DE LA CINTA

La cinta debe estar nivelada para sacarle el máximo partido. Una vez que ha colocado la cinta donde desea utilizarla, levante o baje uno o ambos niveladores ajustables de la parte inferior de la estructura. Se recomienda emplear un nivel de carpintero. Si la máquina no está nivelada, es posible que la cinta no siga correctamente su trayectoria. Una vez que ha nivelado la cinta, bloquee los niveladores apretando las tuercas contra la estructura.



SOLUCIÓN DE PROBLEMAS

PREGUNTAS HABITUALES SOBRE EL PRODUCTO

¿SON NORMALES LOS RUIDOS DE MI CINTA?

Todas las cintas, especialmente las nuevas, emiten algún tipo de zumbido debido a que la banda pasa por encima de los rodillos. El ruido disminuirá con el paso del tiempo, aunque puede que no desaparezca totalmente. Con el paso del tiempo, la banda se ensanchará y rodará suavemente sobre los rodillos.

¿POR QUÉ LA CINTA QUE HE ADQUIRIDO HACE MÁS RUIDO QUE LA QUE HABÍA EN LA TIENDA?

Todos los equipos de deporte parecen más silenciosos en una sala de exposición de una tienda grande porque normalmente hay más ruido de fondo que en su casa. También habrá menos reverberación en un suelo de hormigón enmoquetado que en uno recubierto con paneles de madera. A veces, una esterilla pesada de goma contribuirá a reducir la reverberación por el suelo. Si un equipamiento deportivo se coloca cerca de una pared, habrá más ruido reflejado.

¿CUÁNDO DEBERÍA PREOCUPARME EL RUIDO?

Mientras los ruidos de su cinta no sean más altos que el tono de voz de una conversación habitual, puede considerarse que el ruido es normal.

SOLUCIÓN DE PROBLEMAS BÁSICOS

PROBLEMA: La consola no se enciende.

SOLUCIÓN: Verifique lo siguiente:

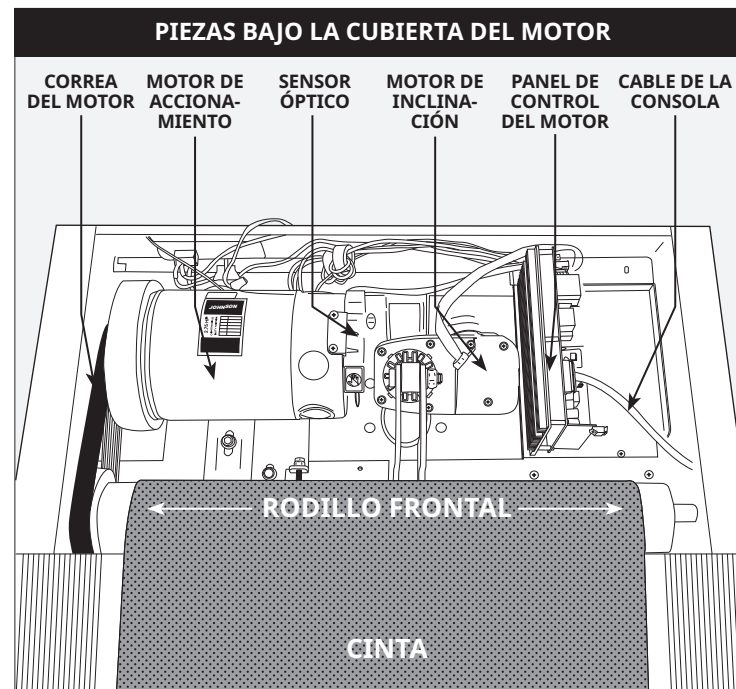
¿Se enciende la luz roja del interruptor ON/OFF (ENCENDIDO/APAGADO)? **NOTA:** Algunos modelos de cinta no tienen un interruptor que se encienda. Si este es el caso, por favor consulte las respuestas sí o no más abajo.

Sí:

- Apague el equipo, desconecte el cable de alimentación y espere 60 segundos. Retire la cubierta del motor. Espere a que se apaguen todas las luces LED rojas del cuadro de control del motor antes de proceder. A continuación, verifique que ninguno de los cables conectados al cuadro inferior está suelto o desconectado.
- Compruebe si todas las conexiones son correctas, especialmente el cable de la consola. Desconecte y vuelva a conectar el cable de la consola para verificarlo.
- Asegúrese de que el cable de la consola no está estrangulado ni dañado.
- Enchufe la cinta, accione el interruptor y observe si algún LED se ilumina en el panel de control del motor.

No:

- Verifique que la toma de corriente a la que la cinta está conectada funciona. Compruebe que el disyuntor del circuito no ha saltado, está conectado a un circuito específico de 15 amperios y no a una toma de corriente con GFCI, así como que no está enchufado a una regleta protección contra sobretensiones, ni a un alargador.



- Verifique que el cable de alimentación no está estrangulado ni dañado y está conectado adecuadamente a la toma de corriente Y a la máquina.
- Verifique que el interruptor está en posición de ON (ENCENDIDO).

PROBLEMA: En la consola se puede leer SAFETY KEY OFF (LLAVE DE SEGURIDAD DESACTIVADA) o solo muestra guiones.

SOLUCIÓN: Verifique lo siguiente:

- Verifique que la llave de seguridad está correctamente en su lugar.
- Si utiliza una llave magnética, asegúrese de que la llave está magnetizada.

PARA CINTAS CON ALTAVOCES:

PROBLEMA: Cuando se conecta un reproductor de MP3, los altavoces no suenan o emiten un sonido distorsionado.

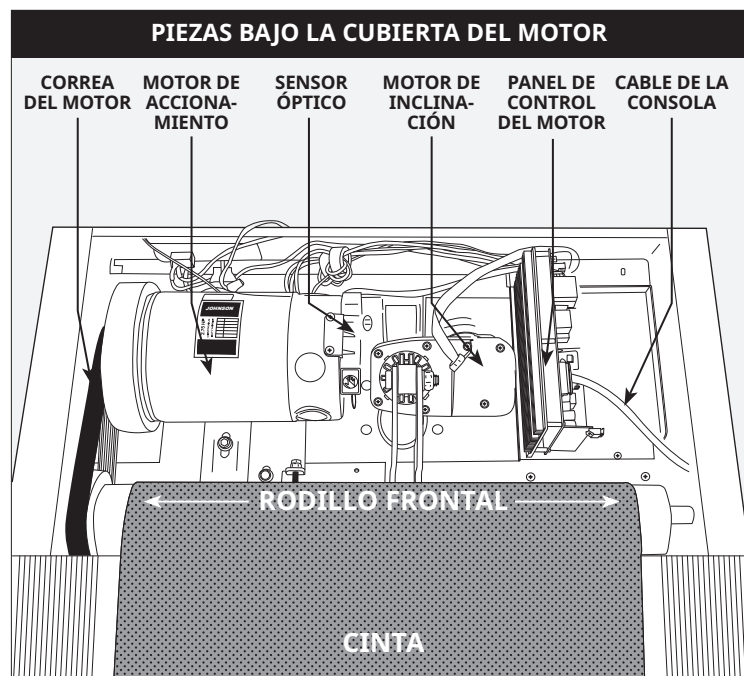
SOLUCIÓN: Asegúrese de que el cable de audio está bien enchufado tanto a la consola como a la toma del reproductor de MP3.

SOLUCIÓN DE PROBLEMAS BÁSICOS

PROBLEMA: La banda se mueve muy poco o no se mueve, pero la consola funciona.

SOLUCIÓN: Verifique lo siguiente:

- Asegúrese de que sigue las recomendaciones y directrices de alimentación eléctrica de las páginas 4 y 5 de esta GUÍA DE LA CINTA. La unidad debe estar conectada a un circuito específico de 15 amperios y no a una toma de corriente con GFCI. No enchufe la máquina a una regleta o una protección contra sobretensiones, ni a un alargador.
- Compruebe si la banda se mueve. Si es así, anote la distancia o el tiempo que se mueve antes de detenerse.
- Intente mover la banda con la mano. Si no puede, es posible que la correa del motor se haya soltado o que los cojinetes del motor se hayan bloqueado.
- Apague la cinta y desconéctela de la toma de corriente. Quite los tornillos de estrella para retirar la cubierta de plástico del motor situada en la parte frontal de la máquina. Compruebe que la correa del motor está alineada correctamente.
- Con la cubierta aún retirada, compruebe las conexiones de los cables, ya que se pueden haber aflojado o desconectado durante el envío o el montaje. Asegúrese de que las conexiones son correctas y que ningún cable esté engarzado, dañado, desconectado o quemado.



PROBLEMA: La inclinación no se mueve, no baja ni parece estar al nivel adecuado.

SOLUCIÓN: Verifique lo siguiente:

- Asegúrese de que sigue las recomendaciones y directrices de alimentación eléctrica de las páginas 4 y 5 de esta GUÍA DE LA CINTA. La unidad debe estar conectada a un circuito específico de 15 amperios y no a una toma de corriente con GFCI. No enchufe la máquina a una regleta o una protección contra sobretensiones, ni a un alargador.
- Asegúrese de que la consola muestra un cambio en la pantalla cuando presione los botones de elevación.
- Apague la cinta y desconéctela de la toma de corriente. Verifique que las conexiones de cable de la consola de la parte superior del mástil están conectadas correctamente. Asegúrese de que todos los cables multicolores están insertados en su totalidad en el arnés del cable.
- Quite los tornillos de estrella para retirar la cubierta de plástico del motor situada en la parte frontal de la máquina. Compruebe las conexiones de los cables, ya que se pueden haber aflojado o desconectado durante el envío o el montaje. Asegúrese de que las conexiones son correctas y que ningún cable esté engarzado, dañado, desconectado o quemado.

PROBLEMA: Los altavoces no emiten sonido, pero los cascos sí funcionan.

SOLUCIÓN: Verifique lo siguiente:

- Apague la cinta y desconéctela de la toma de corriente. Quite los tornillos de estrella para retirar la cubierta de plástico del motor situada en la parte frontal de la máquina.
- Compruebe las conexiones de los cables al panel del altavoz, situado al lado del panel de control del motor.

PROBLEMA: El disyuntor del circuito de la cinta se dispara durante un ejercicio.

SOLUCIÓN: Verifique lo siguiente:

- Asegúrese de que la cinta está conectada a un circuito específico de 15 amperios.
- Verifique que la cinta no está conectada a un alargador ni a una protección contra sobretensiones.
- Compruebe que la máquina no está conectada a una toma de corriente con GFCI ni a un circuito que tenga dicha salida.

PROBLEMA: La cinta no permanece centrada durante el entrenamiento.

SOLUCIÓN: Verifique lo siguiente:

- Asegúrese de que la cinta está colocada sobre una superficie llana.
- Verifique que la banda está tensada y centrada adecuadamente (consulte las secciones TENSADO y CENTRADO DE LA CINTA para ver instrucciones más detalladas).

PROBLEMA: La velocidad de funcionamiento no parece precisa.

SOLUCIÓN:

- Apague la cinta y desconéctela del enchufe.
- Quite los tornillos de la cubierta del motor con un destornillador de estrella.
- Verifique que el sensor óptico está conectado al panel de control del motor.
- Realice una inspección de la conexión y del cable del sensor de velocidad para detectar cualquier daño posible.





SOLUCIÓN DE PROBLEMAS SOBRE MEDICIONES DEL RITMO CARDIACO (SOLO AGARRES DE MEDICIÓN)

Compruebe la zona donde se está entrenando para ver si hay fuentes de interferencia como tubos fluorescentes, ordenadores, vallado subterráneo, sistemas de seguridad del hogar o equipos eléctricos con motores de gran tamaño. Estos dispositivos pueden provocar lecturas irregulares de la frecuencia cardiaca.

Puede experimentar lecturas irregulares bajo las siguientes condiciones:

- Agarrar en exceso las asas de medición de la frecuencia cardiaca. Trate de mantener una presión moderada al sujetar las asas de medición de la frecuencia cardiaca.
- Movimiento y vibración constantes debido al agarre permanente de las asas de medición mientras se entrena. Si recibe lecturas irregulares de su frecuencia cardiaca, trate de agarrar las asas únicamente lo necesario para monitorizar su frecuencia cardíaca.
- Si respira fuertemente durante un entrenamiento.
- Si tiene las manos oprimidas por llevar un anillo.
- Si tiene las manos secas o frías. Trate de humedecer las palmas frotándolas para calentarlas.
- Cualquier persona con una arritmia severa.
- Cualquier persona con arteriosclerosis u otro problema de circulación sanguínea periférica.
- Cualquier persona con la piel especialmente gruesa en la palma donde se efectúa la medición.

¿NECESITA AYUDA?

Si esta sección no pone remedio al problema, deje de usar el equipo y apáguelo.



Consulte la información de contacto del servicio de asistencia local o la que figura en la TARJETA DE INFORMACIÓN, si se dispone de ella, para obtener asistencia.

Puede que se le solicite la siguiente información cuando llame. Tenga esta información a su disposición:

- Nombre de modelo
- Número de serie
- Prueba de compra

Estas son algunas de las preguntas que suelen hacerse para la solución de problemas:

- ¿Cuánto tiempo lleva experimentado este problema?
- ¿Ocurre este problema siempre que la utiliza?
¿Con cualquier usuario?
- Si escucha un ruido, ¿este viene de la parte delantera o trasera? ¿Qué tipo de ruido es (zumbido, chirrido, etc.)?
- ¿El mantenimiento de la máquina se ha realizado de acuerdo con el plan de MANTENIMIENTO?

La respuesta a estas y a otras preguntas permitirá a los técnicos enviar los recambios adecuados y prestar el servicio necesario para que la cinta vuelva a funcionar y pueda volver a hacer ejercicio.

Puede encontrar más sugerencias para solucionar problemas en la sección de atención al cliente de nuestro sitio web.

MANTENIMIENTO

El mantenimiento preventivo es la clave para que un equipo funcione correctamente, así como para reducir al mínimo la responsabilidad del usuario. El equipo se debe someter a una inspección de forma periódica. Los componentes defectuosos deben sustituirse inmediatamente. Si un equipo no funciona correctamente, debe mantenerse fuera de servicio hasta que se repare. Asegúrese de que todas las personas que realizan ajustes o efectúan tareas de mantenimiento o reparación de cualquier tipo estén cualificadas para ello.

ADVERTENCIA

Para retirar la fuente de alimentación de la cinta, el cable de alimentación debe estar desconectado de la toma de corriente.

PLAN DE MANTENIMIENTO	
TAREA	FRECUENCIA
<p>Limpiar y comprobar la cinta:</p> <ul style="list-style-type: none"> • Apague la cinta utilizando el interruptor ON/OFF (ENCENDIDO/APAGADO) y desconecte el cable de alimentación de la toma de corriente. • Limpie la cinta, la plataforma, la cubierta del motor y la carcasa de la consola con un trapo húmedo. No emplee nunca disolventes, puesto que podrían dañar la cinta. • Examine el cable de alimentación. Si el cable de alimentación está dañado, consulte la información de contacto en la cara posterior de la TARJETA DE INFORMACIÓN para obtener ayuda. • Asegúrese de que el cable de alimentación no ha quedado bajo la cinta o en ningún otro lugar en el que pueda estrangularse o seccionarse. • Compruebe la tensión y la alineación de la cinta. Asegúrese de que la banda de rodadura no dañará otros componentes de la cinta al estar desalineada. • Si cualquier etiqueta está dañada o no se puede leer, consulte la información de contacto en la cara posterior de la TARJETA DE INFORMACIÓN para obtener ayuda. 	DIARIA
<p>Limpiar la zona bajo la cinta:</p> <ul style="list-style-type: none"> • Apague la cinta utilizando el interruptor ON/OFF (ENCENDIDO/APAGADO) y desconecte el cable de alimentación de la toma de corriente. • Coloque la cinta en posición vertical y asegúrese de que el pestillo está bloqueado. • Desplace la cinta. • Limpie o aspire las partículas de polvo u otros objetos que puedan haberse depositado bajo la cinta. • Vuelva a colocar la cinta en su ubicación previa. 	SEMANAL
<p>IMPORTANTE</p> <ul style="list-style-type: none"> • Apague la cinta utilizando el interruptor ON/OFF (ENCENDIDO/APAGADO) y desconecte el cable de alimentación de la toma de corriente. Espere 60 segundos. • Examine si todos los pernos de montaje de la máquina están apretados adecuadamente. • Retire la cubierta del motor. Espere a que se apaguen TODAS las pantallas. • Limpie el motor y el área de la placa inferior para retirar cualquier partícula de polvo o fibras que se haya acumulado. Si no lleva a cabo esta acción, pueden aparecer fallos prematuros en componentes eléctricos importantes. • Limpie la banda con un trapo húmedo. Aspire cualquier partícula de color blanco o negro que pueda acumularse alrededor de la cinta. Estas partículas pueden acumularse por el uso normal de la cinta. • Si la cinta dispone de amortiguadores de aire debajo de la plataforma para ayudarla a levantarla, lubrique el tubo plateado del amortiguador con un spray de teflón (puede encontrarlo en una ferretería local o tienda de bicicletas). 	MENSUAL





PLAN DE MANTENIMIENTO

CÓMO LUBRICAR LA BANDA

CADA 3 MESES O 150 MILLAS (483 KM)

Es necesario lubricar la plataforma para correr de la caminadora cada tres meses o 150 millas (483 km) a fin de mantener el rendimiento óptimo. Cuando la caminadora registre 150 millas (483 km), mostrará el mensaje "LUBE" (lubricar) o "LUBE BELT" (lubricar banda). La caminadora no funciona mientras se muestra el mensaje. Su caminadora vino con una botella de lubricante 100 % silicona, que puede utilizarse para dos aplicaciones.

Visite este sitio web para comprar lubricante de silicona adicional:
www.johnsonfit.com/lubricant.

Herramientas necesarias:

- Llave en T de mango azul o llave Allen
- Aceite 100 % silicona

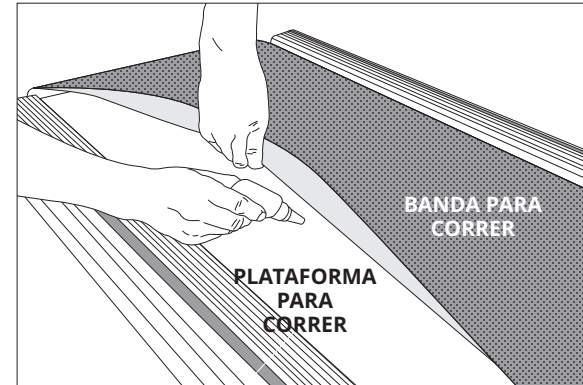
PROCEDIMIENTO :

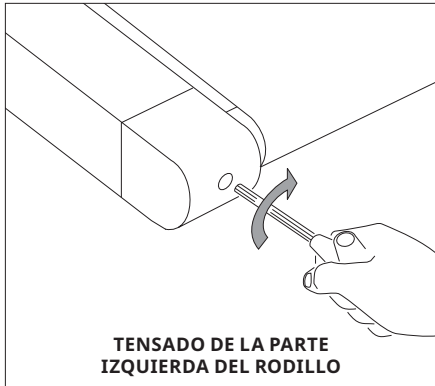
1. Apague la caminadora con el interruptor de encendido/apagado y desenchufe el cable de corriente en el tomacorriente de pared.
2. Con la llave en T o la llave Allen, afloje los pernos de rodillos traseros con 10-15 vueltas en el sentido contrario al de las agujas del reloj. Esto debe aflojar la banda lo suficiente para que usted la levante.
3. Levante la banda todo lo que pueda y vierta un chorro de aceite de silicona en zigzag en toda la superficie de la plataforma para correr. Utilice 1/2 botella de lubricante de silicona. No aplique el aceite de silicona encima de la banda para correr. Apoye la banda para correr y luego apriete los pernos de rodillos traseros en el sentido de las agujas del reloj la misma cantidad de vueltas que usó para aflojarlos.
4. Después de haber hecho la lubricación de la banda, conecte la caminadora en el tomacorriente, y conecte la llave de seguridad. Borre el mensaje "Lube Belt" al empujar primeramente sobre SPEED (+) y luego sobre STOP. Guarde sus dedos sobre las dos teclas por 5 a 7 segundos.
5. Sin subirse a la máquina, presione START (Inicio). Deje que la banda avance a 3 millas por hora (4,8 kilómetros por hora) durante tres minutos para comenzar a esparcir la silicona. Luego, camine sobre la máquina a una velocidad cómoda durante 3 minutos para completar la dispersión de la silicona y verificar la tensión y la alineación adecuadas de la banda para correr.
6. Cuando la banda esté centrada y tensa, deténgala. Limpie cualquier exceso de aceite de los lados con un paño húmedo.

Oprima cualquier tecla para suspender hasta su próximo ejercicio el mensaje de advertencia de la lubricación. Note: ciertos modelos pueden exigir que oprima la tecla STOP por 5 minutos para suspender el mensaje de advertencia para una otra utilización de 5 millas.

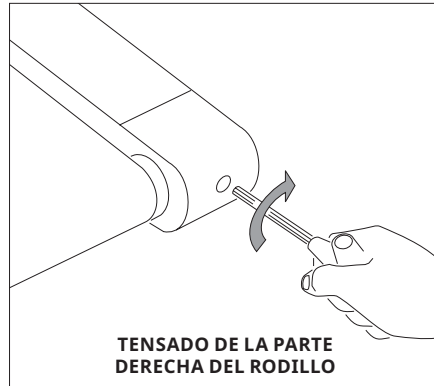
Si su caminadora tiene amortiguadores de aire debajo de la plataforma para asistencia de elevación, lubrique el tubo amortiguador de aire plateado con spray a base de teflón que se vende en su ferretería o tienda de bicicletas local.

Visite la sección Asistencia al cliente de nuestro sitio web para ver los videos sobre cómo realizar el mantenimiento. Comuníquese con el Servicio de asistencia técnica a clientes con preguntas acerca de la aplicación de lubricante a la caminadora.





TENSADO DE LA PARTE
IZQUIERDA DEL RODILLO



TENSADO DE LA PARTE
DERECHA DEL RODILLO

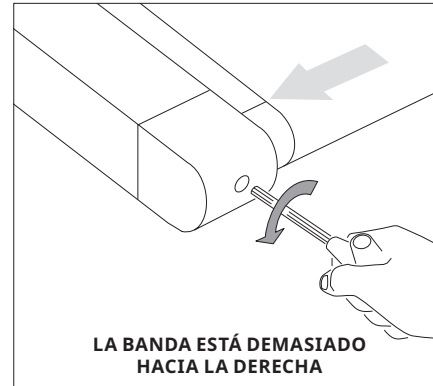
TENSADO DE LA CINTA

Para obtener más información o vídeos de instrucciones, visite la sección de atención al cliente de nuestra página web. Puede encontrar la información de contacto en la cara posterior de la TARJETA DE INFORMACIÓN.

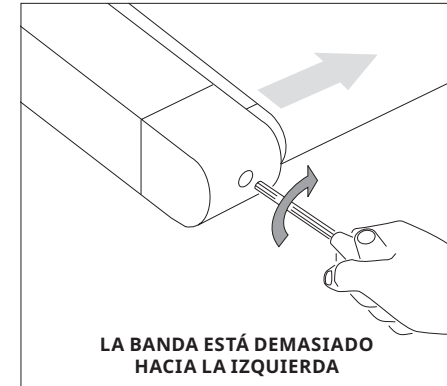
ADVERTENCIA

La cinta NO debe estar en funcionamiento al tensarla. Tensar en exceso la cinta puede provocar un desgaste excesivo de la máquina y de sus componentes. Nunca tense la banda en exceso.

Si siente que se desliza al correr, debe tensar la cinta. En la mayoría de los casos, la banda se ensancha por el uso, lo que provoca el deslizamiento. Este es un ajuste normal y corriente. Para eliminar el deslizamiento, **apague la cinta** y tense **los pernos de ambos rodillos traseros** empleando la llave Allen que se suministra y girándolos hacia la derecha (en el sentido de las agujas del reloj) un cuarto de vuelta tal y como se muestra en las ilustraciones. Encienda la cinta y compruebe que si experimenta una sensación de deslizamiento. Repita la operación si es necesario, pero no **gire nunca** los pernos de los rodillos más de un cuarto de vuelta cada vez. La banda tiene una tensión adecuada si no experimenta sensación de deslizamiento.



LA BANDA ESTÁ DEMASIADO
HACIA LA DERECHA



LA BANDA ESTÁ DEMASIADO
HACIA LA IZQUIERDA

CENTRADO DE LA CINTA

Para obtener más información o vídeos de instrucciones, visite la sección de atención al cliente de nuestra página web. Puede encontrar la información de contacto en la cara posterior de la TARJETA DE INFORMACIÓN.

PRECAUCIÓN

No haga funcionar la banda a más de 1 mi/h mientras la centra. Mantenga los dedos, el pelo y la ropa siempre lejos de la banda.

Si la cinta está demasiado hacia la derecha: Con ayuda de la llave Allen suministrada y con la cinta funcionando a 1 mi/h, gire el perno de ajuste **IZQUIERDO** un cuarto en el sentido contrario al de las agujas del reloj y espere a que la cinta se ajuste sola. Utilice la marca o línea de la cubierta del motor como referencia para la alineación. Repita los pasos si es necesario hasta que la banda permanezca centrada durante su utilización.

Si la cinta está demasiado hacia la izquierda: Con ayuda de la llave Allen suministrada y con la cinta funcionando a 1 mi/h, gire el perno de ajuste **IZQUIERDO** un cuarto en el sentido de las agujas del reloj y espere a que la cinta se ajuste sola. Utilice la marca o línea de la cubierta del motor como referencia para la alineación. Repita los pasos si es necesario hasta que la banda permanezca centrada durante su utilización.

- Si la banda se desplaza porque está demasiado aflojada, céntrela y ténsela cuanto sea necesario.
- Para acceder con mayor facilidad al perno de ajuste, retire las tapas.





© 2022 Johnson Health Tech
Rev 1.4 A ENG FRE SPE



LUBRICATE

LUBRIFIER

LUBRICAR