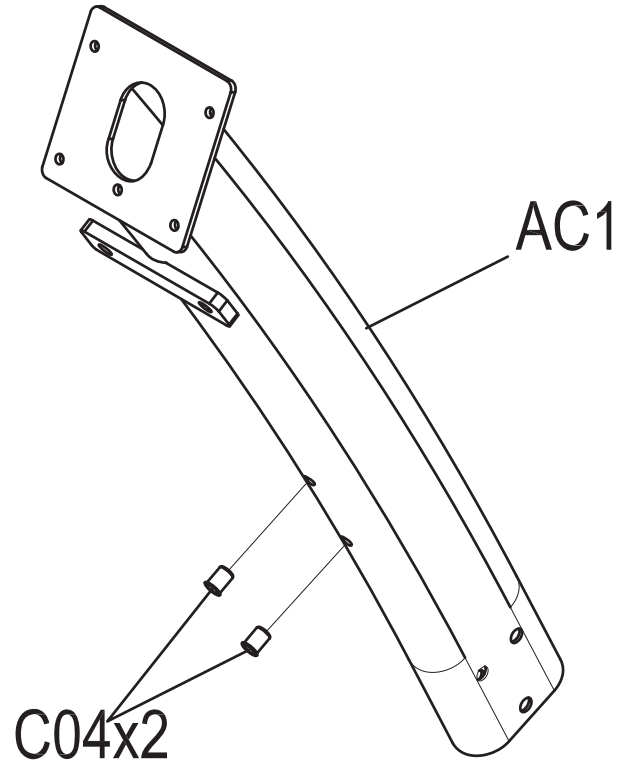
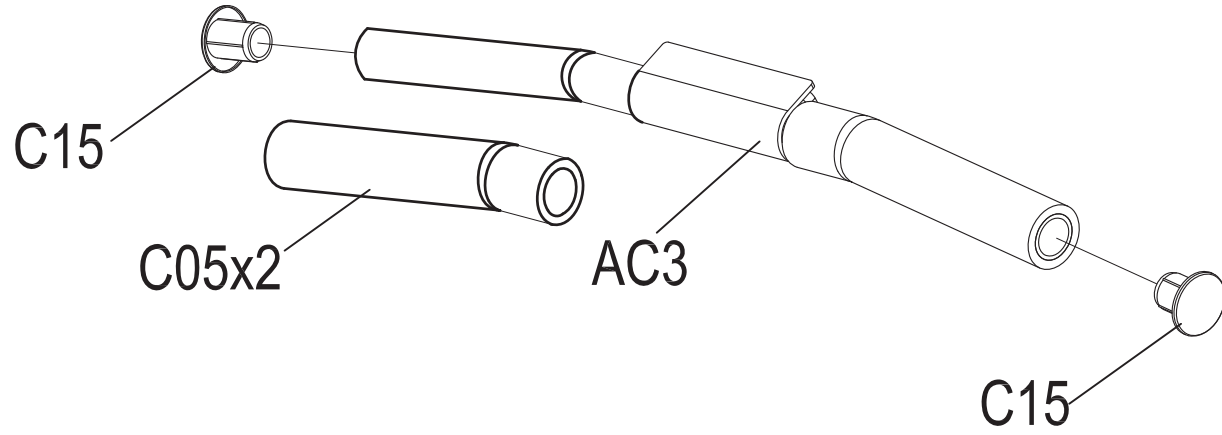





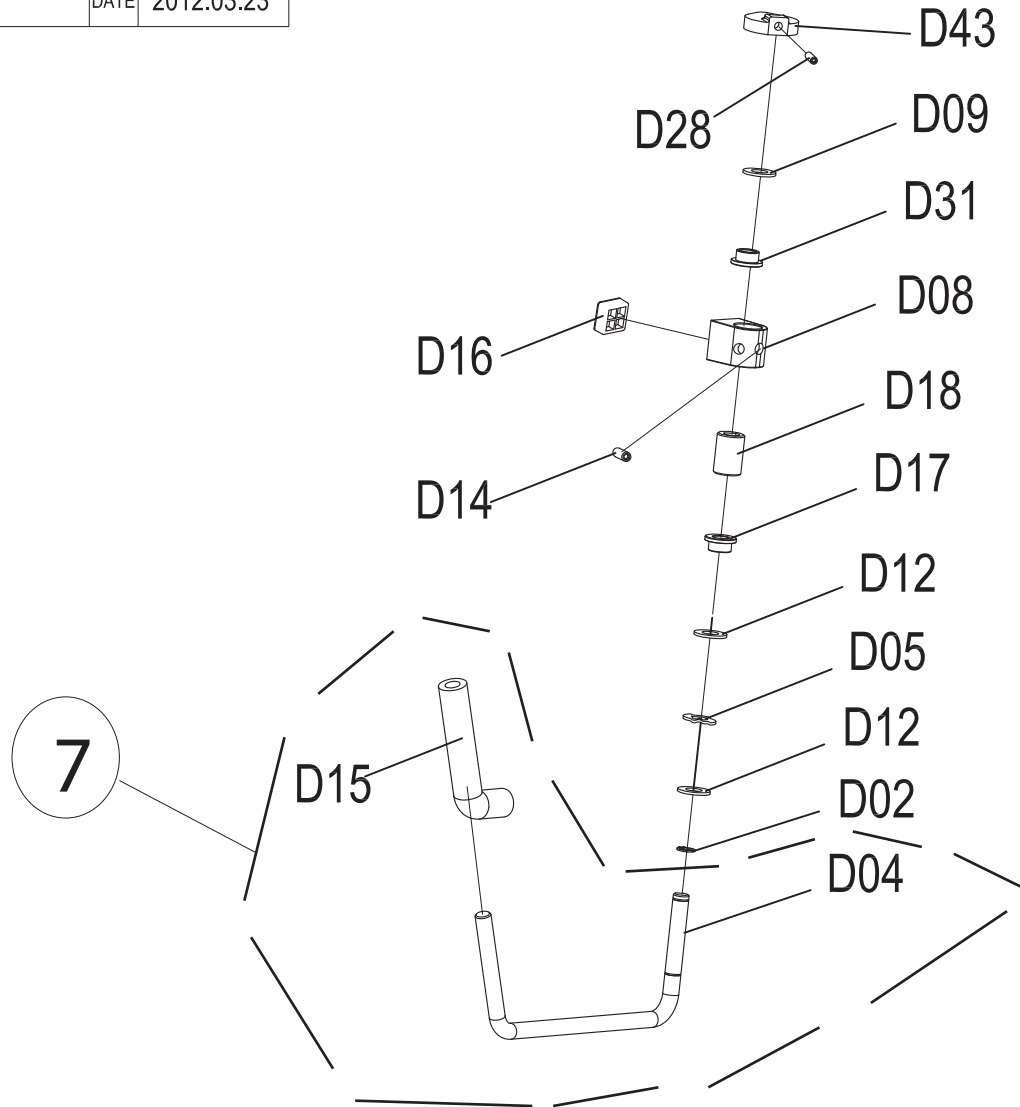
|            |                  |      |            |
|------------|------------------|------|------------|
| DRAWING NO | RB151-A20        |      |            |
| PART NAME  | Console Mast Set |      |            |
| PART NO    | 1000230500       | REV  | A          |
| APPROVE    |                  | DATE | 2012.03.06 |



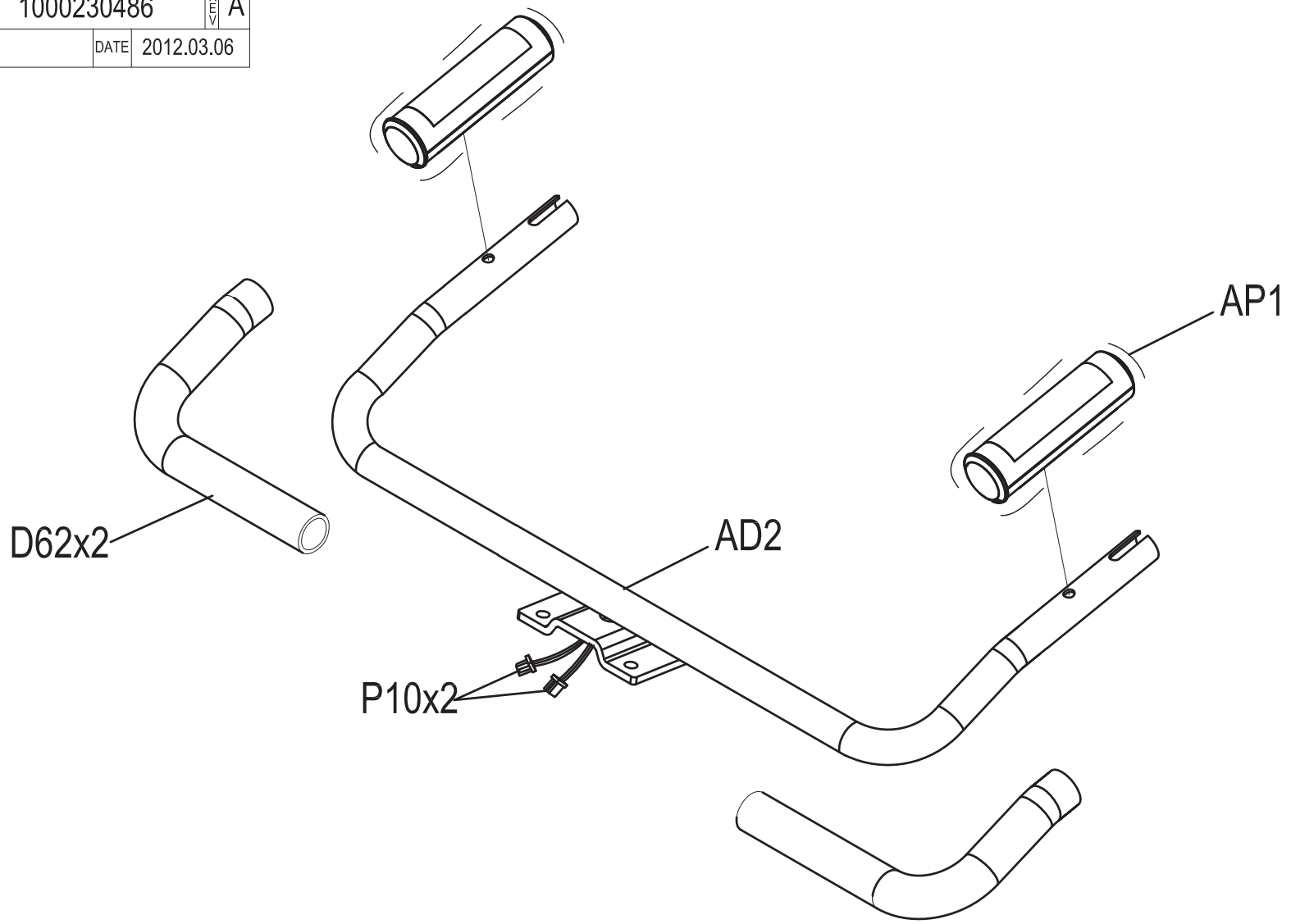
|            |            |      |            |
|------------|------------|------|------------|
| DRAWING NO | RB150-A21  |      |            |
| PART NAME  |            |      |            |
| PART NO    | 1000230484 | REV  | A          |
| APPROVE    |            | DATE | 2012.03.06 |



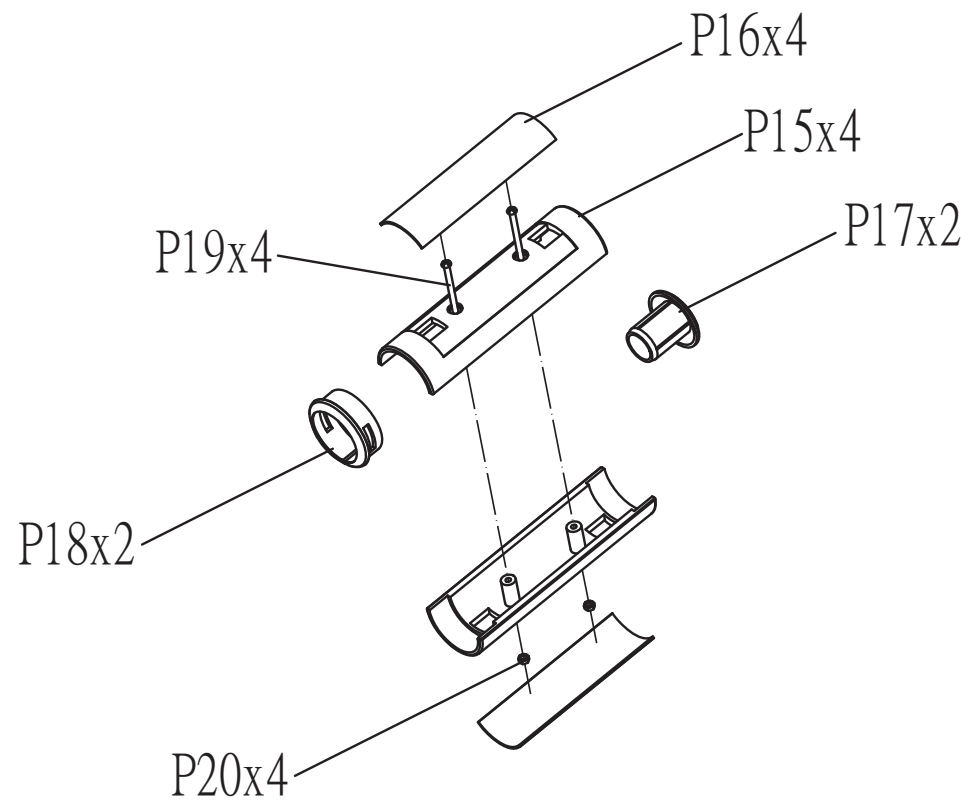
|            |                                   |   |            |
|------------|-----------------------------------|---|------------|
| DRAWING NO | RB150-A22                         |   |            |
| PART NAME  | Seating Washer Slide Carriage Set |   |            |
| PART NO    | 1000230485                        |  | A          |
| APPROVE    |                                   | DATE  | 2012.03.23 |



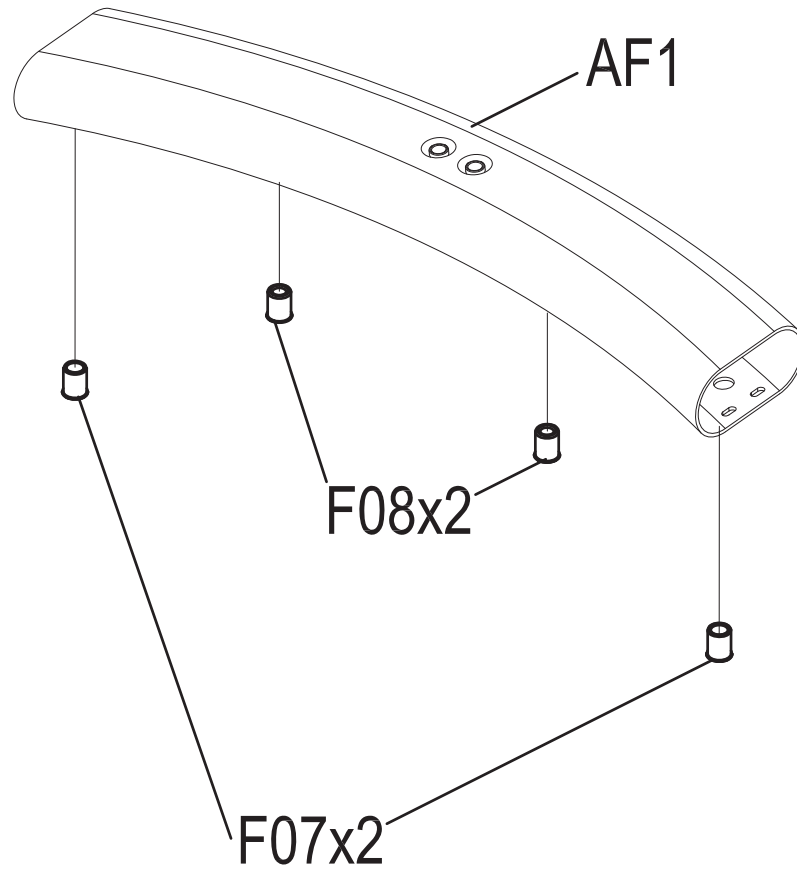
|            |                           |            |
|------------|---------------------------|------------|
| DRAWING NO | RB150-A23                 |            |
| PART NAME  | Seating Washer Handle Set |            |
| PART NO    | 1000230486                | REV A      |
| APPROVE    | DATE                      | 2012.03.06 |



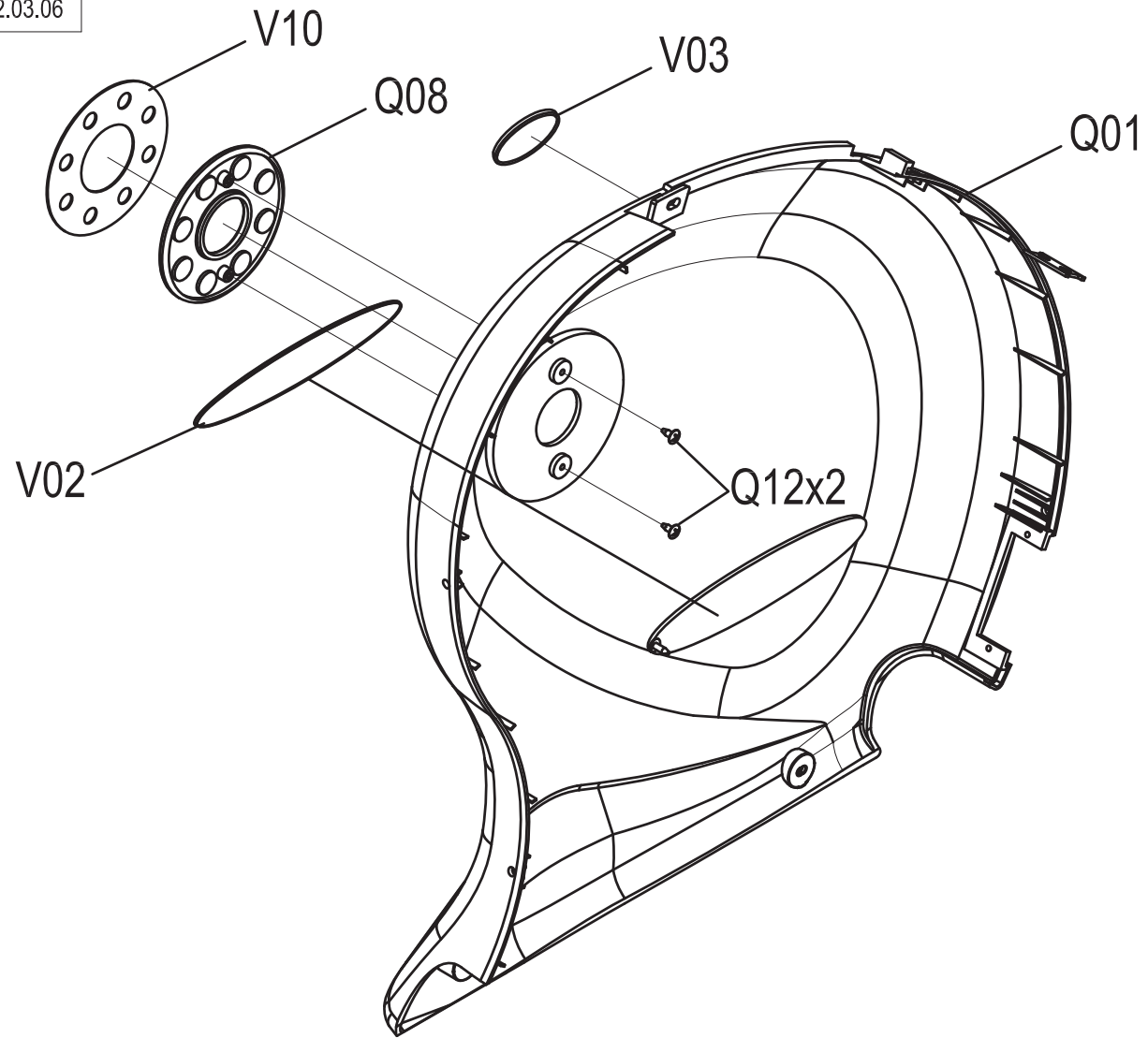
|            |                   |      |            |
|------------|-------------------|------|------------|
| DRAWING NO | RB135-A41         |      |            |
| PART NAME  | Sensor Handle Set |      |            |
| PART NO    | 1000213105        | REV  | A          |
| APPROVE    |                   | DATE | 2010.12.24 |



|            |                         |      |            |
|------------|-------------------------|------|------------|
| DRAWING NO | RB151-A25               |      |            |
| PART NAME  | Seating Washer Rack Set |      |            |
| PART NO    | 1000230614              | REV  | A          |
| APPROVE    |                         | DATE | 2012.03.06 |

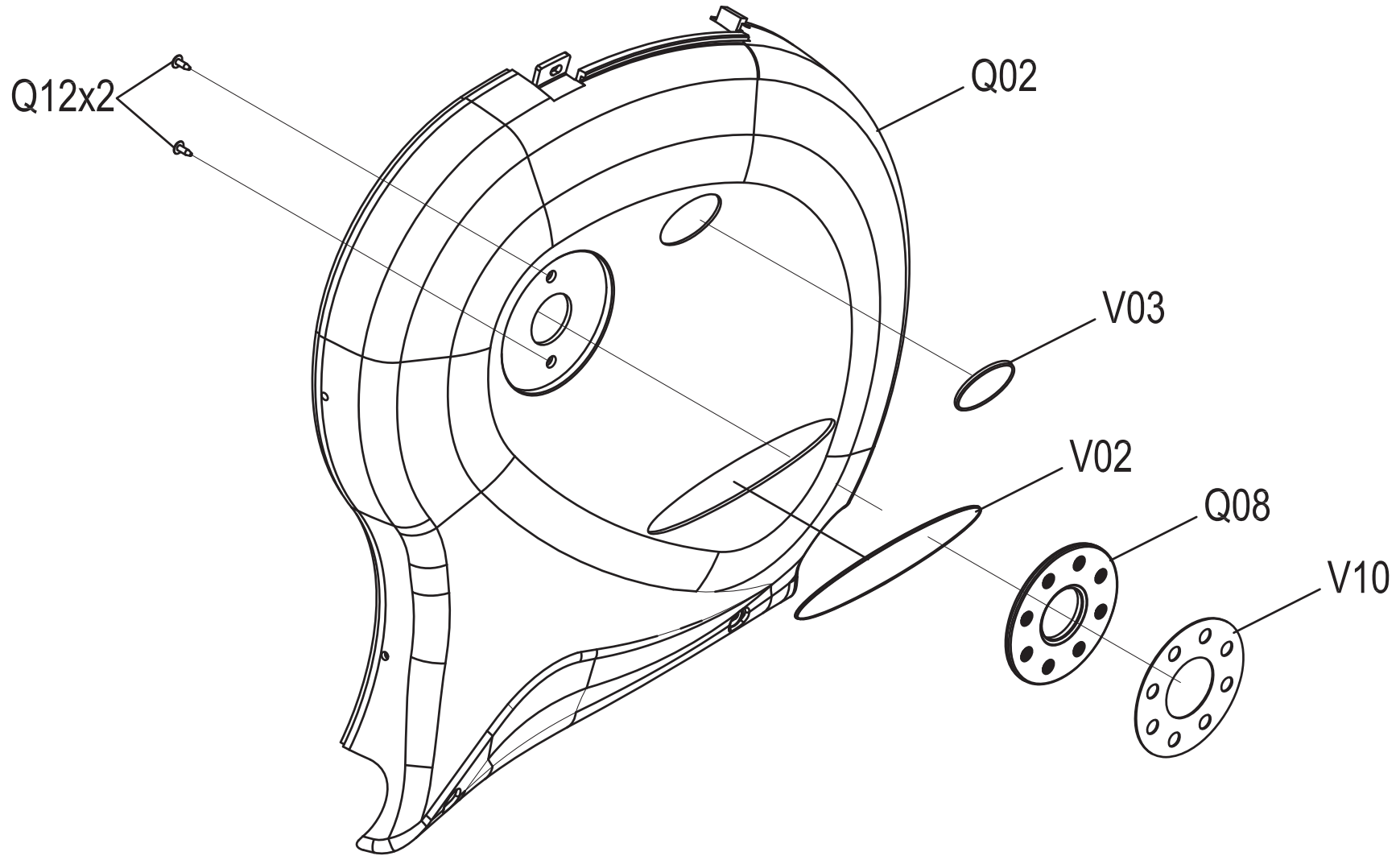


|            |                 |      |            |
|------------|-----------------|------|------------|
| DRAWING NO | RB150-A24       |      |            |
| PART NAME  | Protect Cover;L |      |            |
| PART NO    | 1000230487      | REV  | A          |
| APPROVE    |                 | DATE | 2012.03.06 |

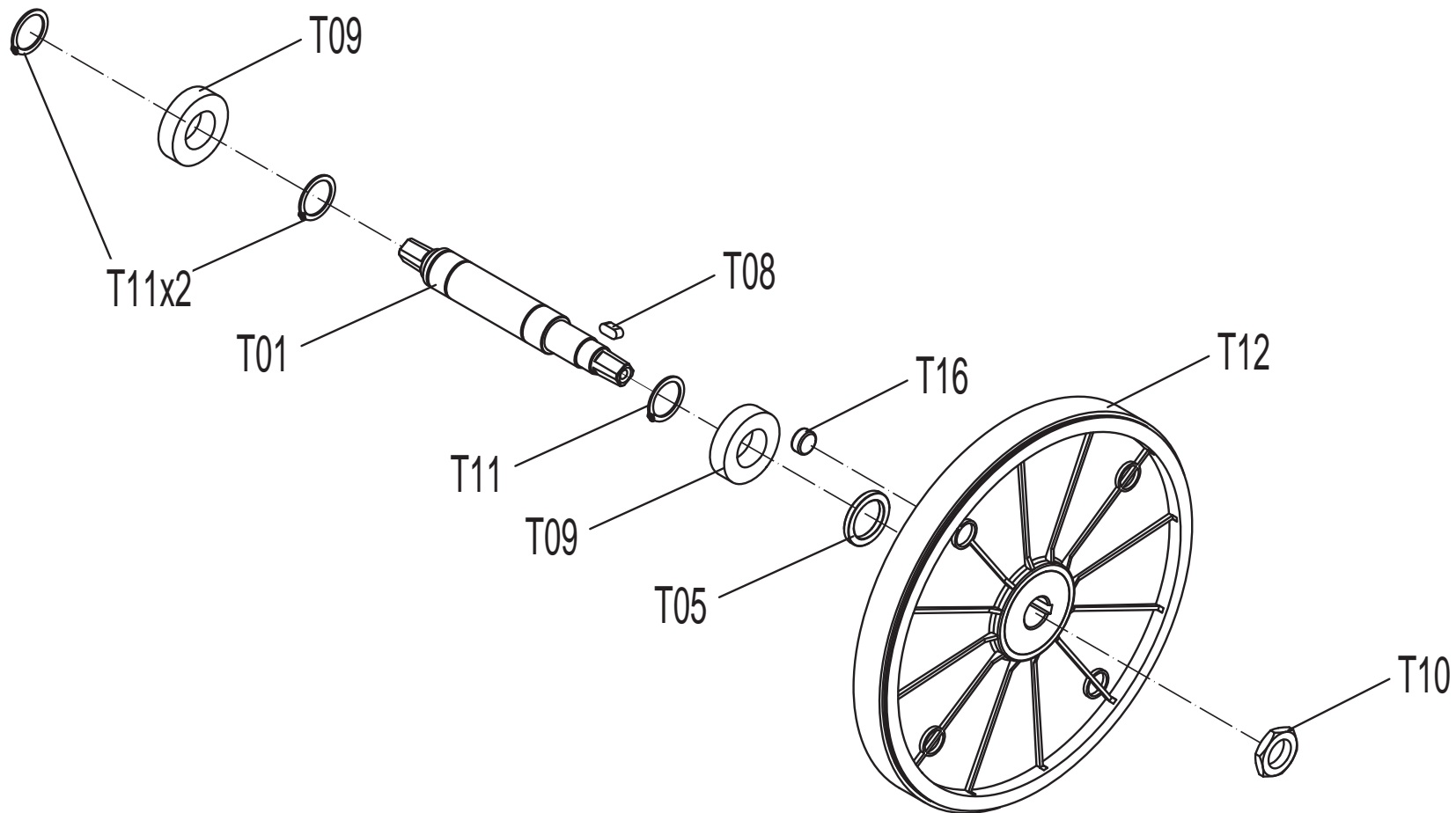




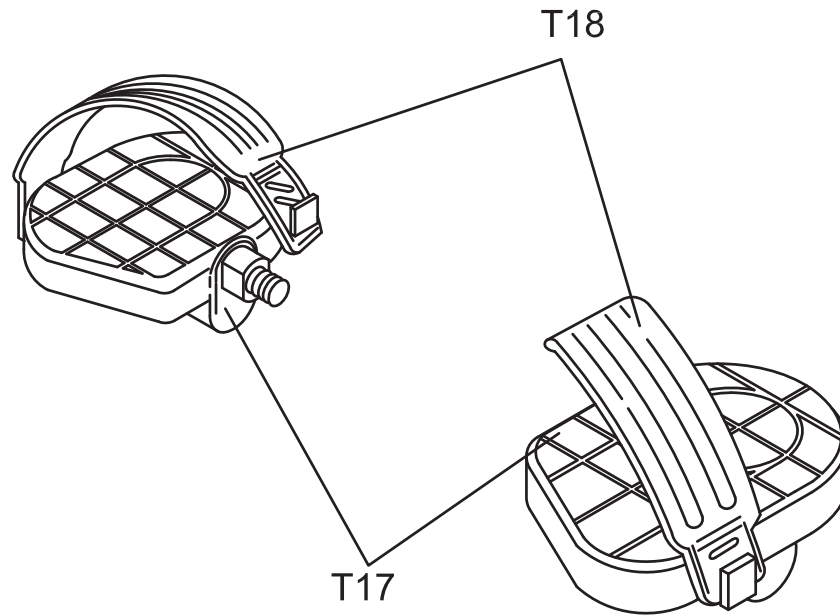
|            |                         |   |            |
|------------|-------------------------|---|------------|
| DRAWING NO | RB150-A25               |   |            |
| PART NAME  | Seating Washer Rack Set |   |            |
| PART NO    | 1000230488              | <input type="checkbox"/> <small>MAX</small> | A          |
| APPROVE    |                         | DATE  | 2012.03.06 |



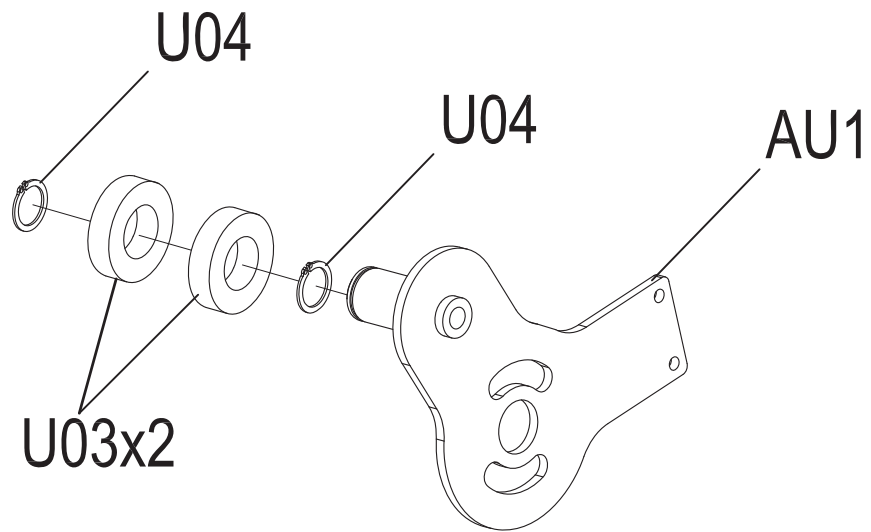
|            |                          |      |            |
|------------|--------------------------|------|------------|
| DRAWING NO | RB135-A33                |      |            |
| PART NAME  | Pedal Principal Axis Set |      |            |
| PART NO    | 1000112327               | REV  | A          |
| APPROVE    |                          | DATE | 2010.12.24 |



|            |                |   |   |
|------------|----------------|---|---|
| DRAWING NO | CB157-A15      |   |   |
| PART NAME  | Foot Pedal Set |   |   |
| PART NO    | 1000228989     | <input type="checkbox"/> R<br><input checked="" type="checkbox"/> L | A |
| APPROVE    |                | DATE  |   |



|            |                               |      |            |
|------------|-------------------------------|------|------------|
| DRAWING NO | RB110-A26                     |      |            |
| PART NAME  | Pressure Wheel Prop Piece Set |      |            |
| PART NO    | 1000230489                    | REV  | A          |
| APPROVE    |                               | DATE | 2012.03.06 |



|            |              |      |            |
|------------|--------------|------|------------|
| DRAWING NO | RB150-A26    |      |            |
| PART NAME  | Back pad set |      |            |
| PART NO    |              | REV  | A          |
| APPROVE    |              | DATE | 2012.03.22 |

